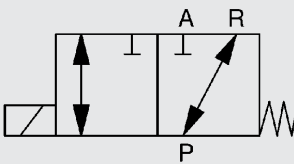


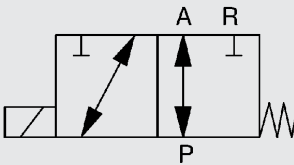
3/2 Way Coaxial Valve

CX03 and CX04 direct acting

Switching function



NC (normally closed)



NO (normally open)

Order data

- Nominal size
- Connection
- Function NC/NO
- Operating pressure
- Flow rate
- Medium
- Medium temperature
- Ambient temperature
- Nominal voltage

Model code

(also example order)

CX04 3/2 D C 2 10 064 014 24V

Type

CX03 = series CX03
CX04 = series CX04

Ways

3/2 = The number of ways

Control

D = Direct acting

Switching function

C = NC - normally closed
O = NO - normally open

Body material

1 = Free from non-ferrous materials*
2 = Brass (standard)
3 = Brass, nickel-plated*
4 = 1.4305*
5 = 1.4571*

Nominal size

10 = DN 10
15 = DN 15
20 = DN 20
25 = DN 25
32 = DN 32
40 = DN 40
50 = DN 50

Pressure range

040 = CX03 > 0 - 40 bar
064 = CX04 > 0 - 64 bar

Connection

014 = G $\frac{1}{4}$ - DN 10
038 = G $\frac{3}{8}$ - DN 10, DN 15
012 = G $\frac{1}{2}$ - DN 10, DN 15, DN 20
034 = G $\frac{3}{4}$ - DN 10*, DN 15, DN 20, DN 25
100 = G1 - DN 15*, DN 20, DN 25, DN 32
114 = G1 $\frac{1}{4}$ - DN 20*, DN 25, DN 32
112 = G1 $\frac{1}{2}$ - DN 25*, DN 32, DN 40
200 = G2 - DN 50

Nominal voltage

24V = 24V DC
230V = 230V AC 40-60Hz
Special voltages on request

Technical specifications

Control	3/2 way valve, direct-acting		
Nominal size	DN 10 to DN 50		
Pressure range (see table)	CX03 – 3/2	DN 10 - 32	PN 0 to PN 40
	CX03 – 3/2	DN 40 - 50	PN 0 to PN 16
	CX04 – 3/2		PN 0 to PN 64
Connections (see table)	Threaded sleeve flange on request		
Body material	Sleeve version: brass, nickel-coated brass, 1.4305, 1.4571 Flanged version: on request		
Valve seat (plastic on metal)	FKM		
Material of seals	Static:	FKM	
	Dynamic:	PTFE	
Back pressure resistant	Up to 16 bar		
Media	Gaseous, liquid, contaminated		
Direction of flow	CX03	P → A max. 40 bar P → R max. 40 bar	A → P max. 16 bar R → P max. 16 bar
	CX04	P → A max. 64 bar P → R max. 64 bar	P → A max. 16 bar R → P max. 16 bar
Temperature of medium	-20 °C to +130 °C		
Ambient temperature	-30 °C to +60 °C		
Mounting position	In any position		
Limit switch	Inductive*		
Fixing	Mounting bracket*		

Electrical part

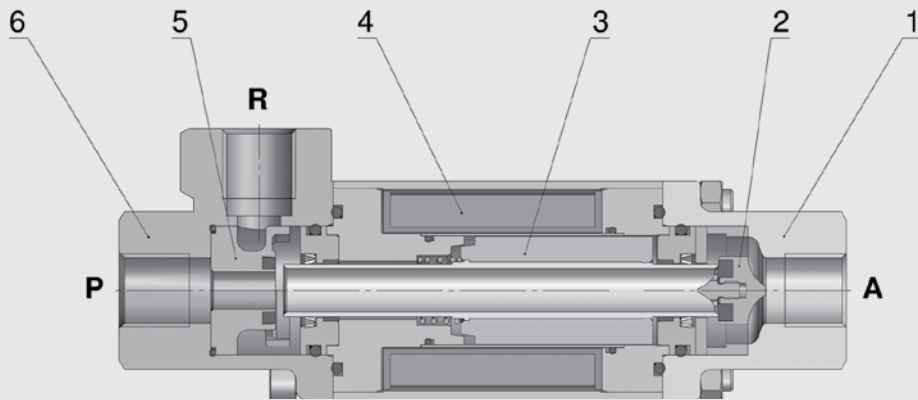
Nominal voltage	DC: 24 V
	AC: 230 V 40-60 Hz
Electrical part	DC: DC magnet
	AC: DC magnet with integrated rectifier
Connection	Connector plug to DIN EN 175301-803 type A
	Connector plug to DESINA M12x1 *
	Illuminated plug with varistor *
Voltage tolerance	+ / - 10% to VDE 0580
Duty cycle	100% duty cycle
Protection class	IP 65 when fitted with connector plug

On request we would be happy to discuss your requirements for further options and accessories.

*optional

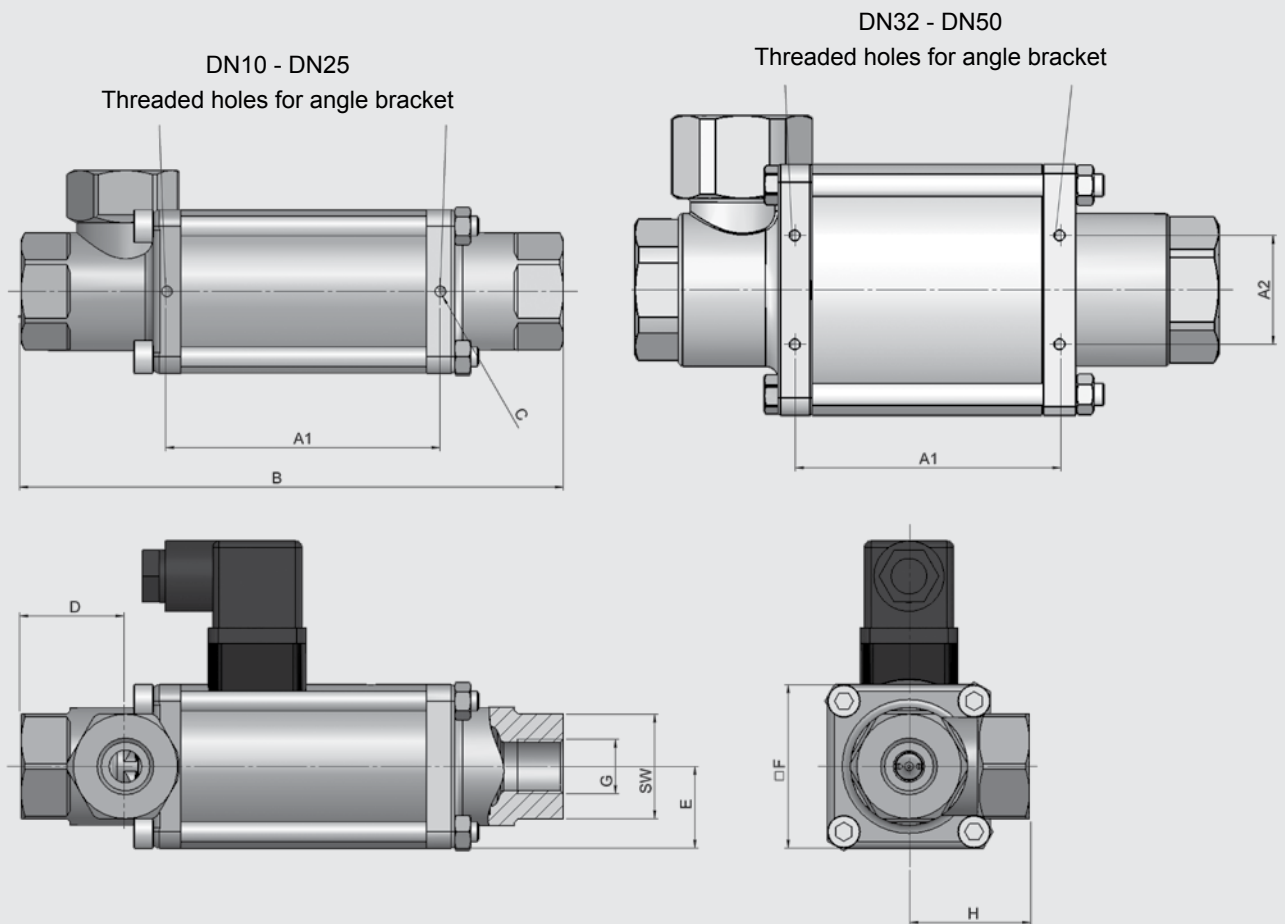
Designation	DN [mm]	Pressure [bar]	Connection	Kv value [m³/h] DIN 60354	Wattage [W]		Weight [kg]
					24V DC	230 V 50 Hz	
CX03	10	0 - 40	G¼, G¾, G½	2.0	35	41	1.9
	15	0 - 40	G¾, G½, G¾	5.6	40	45	4.0
	20	0 - 40	G½, G¾, G1	8.0	45	53	6.0
	25	0 - 40	G¾, G1, G1¼	11.5	60	68	7.5
	32	0 - 40	G1, G1¼, G1½	17.9	73	76	13.4
	40	0 - 16	G1½	41.5	73	90	18.7
	50	0 - 16	G2	43.0	73	90	18.5
CX04	10	0 - 64	G¼, G¾, G½	2.0	44	53	1.9
	15	0 - 64	G¾, G½, G¾	5.6	50	55	4.0
	20	0 - 64	G½, G¾, G1	8.0	53	59	6.0
	25	0 - 64	G¾, G1, G1¼	11.5	77	85	7.5
	32	0 - 64	G1, G1¼, G1½	17.9	73	76	13.4

Sectional drawing



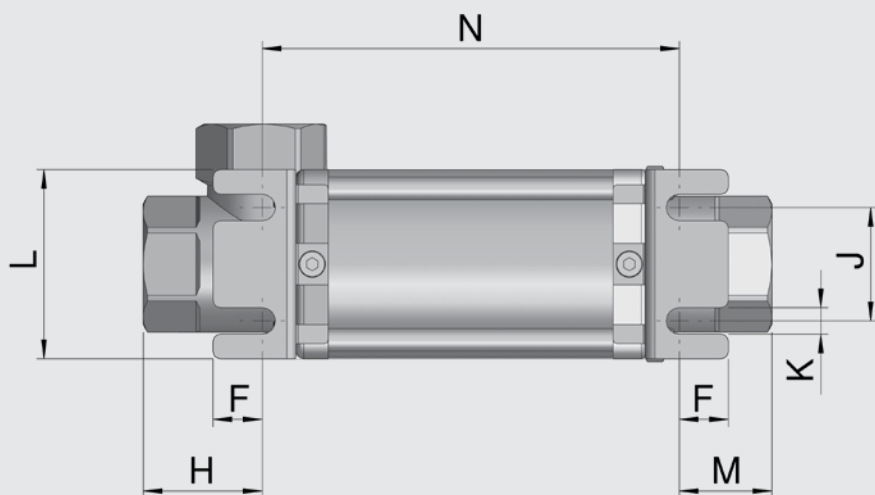
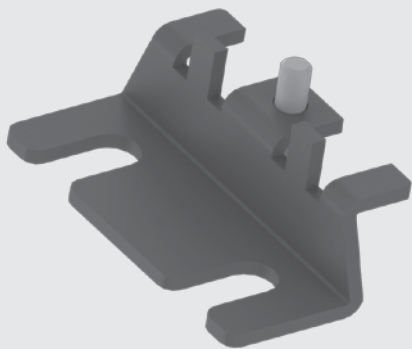
Item	Designation	Qty.
1	2/2-way connecting block	1
2	Valve seat	1
3	Armature	1
4	Magnet	1
5	3/2-way valve seat	1
6	3/2-way connecting block	1

Dimensions



DN	G	SW [mm]	A1 [mm]	A2 [mm]	B [mm]	C	D [mm]	E [mm]	F [mm]	H [mm]
10	G $\frac{1}{4}$, G $\frac{3}{8}$, G $\frac{1}{2}$	32	84	–	166.5	M4	32	25	50	37
15	G $\frac{3}{8}$, G $\frac{1}{2}$, G $\frac{3}{4}$	41	100	–	200	M5	38.5	35	70	60
20	G $\frac{1}{2}$, G $\frac{3}{4}$, G1	46	108	–	228	M5	45.5	40	80	72
25	G $\frac{3}{4}$, G1, G1 $\frac{1}{4}$	55	121	–	252	M5	48	45	90	80
32	G1, G1 $\frac{1}{4}$, G1 $\frac{1}{2}$	60	122	50	269	M6	49.5	57.5	115	80
40	G1 $\frac{1}{2}$	75	131	60	304	M6	56.5	65	130	84
50	G2	75	131	60	304	M6	56.5	65	130	84

Angle bracket



DN	F [mm]	H [mm]	J [mm]	K [mm]	L [mm]	M [mm]	N [mm]
10	10	30.5	30	7	50	23.5	113
15	10.5	38.5	45	7	70	23.5	139
20	15.3	46.5	50	7	80	33.5	149
25	16	40	60	8.5	90	34	178
32	6	37	78	6.5	115	37	195
40	6	40	98	6.5	130	40	224
50	6	40	98	6.5	130	40	224

NOTE

The information in this brochure relates to the operating conditions and applications described.

For applications and operating conditions not described, please contact the relevant technical department.

Subject to technical modifications.

HYDAC Accessories GmbH
Hirschbachstr. 2
66280 Sulzbach/Saar
Tel.: +49 (0)6897 - 509-01
Fax: +49 (0)6897 - 509-1009
Internet: www.hydac.com
E-Mail: info@hydac.com