

2/2-way Coaxial Valve

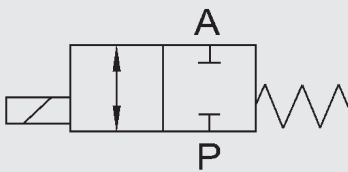
CX Direct acting

High-pressure valve

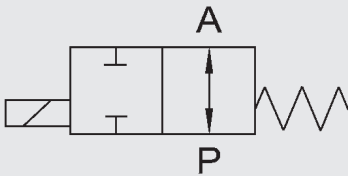
Model code
(also example order)

CX H1 2/2 D C 6 06 010 038 24 V ...

Switching function



NC (closed when de-energised)



NO (open when de-energised)

Type

CXH1 = CXH1 series

CXH2 = CXH2 series

Ways

2/2 = Number of ways

Control

D = Direct

Switching function

C = NC - closed when de-energised

O = NO - open when de-energised

Housing material

6 = Zinc-plated steel

7 = Nickel-plated steel

Valve sizes

01 = DN 1

02 = DN 2

025 = DN 2.5

03 = DN 3

04 = DN 4

05 = DN 5

06 = DN 6

Pressure range

010 = >0 - 100 bar

030 = >0 - 300 bar

Connection

018 = G 1/8

014 = G 1/4

038 = G 3/8

Supply voltage

24V = 24 V DC

230V = 230 V AC 40 - 60Hz

Options

see accessories

Ordering data

- Nominal size
- Connection
- NC / NO function
- Operating pressure
- Flow rate
- Media
- Temperature of medium
- Ambient temperature
- Supply voltage

*optional

Technical data

Control	2/2 way valve, direct acting		
Nominal size	DN01 to DN06		
Pressure range (see table)	CXH1 - 2/2	DN02 to DN06	PN0 to PN100
	CXH2 - 2/2	DN01 to DN06	PN0 to PN 300
Connections (see table)	Female threaded connection		
Housing material	Zinc-plated steel, nickel-plated steel		
Seal material	Static: FKM Seat seal: PTFE		
Back-pressure resistant	See table		
Media	Gaseous, liquid, contaminated		
Flow direction P → A	CXH1	max. 100 bar	
	CXH2	max. 300 bar	
Temperature of medium	-10 °C to +100 °C		
Ambient temperature	-10 °C to +50 °C		
Installation position	In any position		

Electrical part

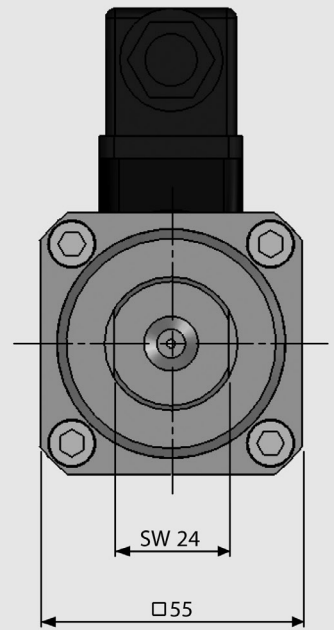
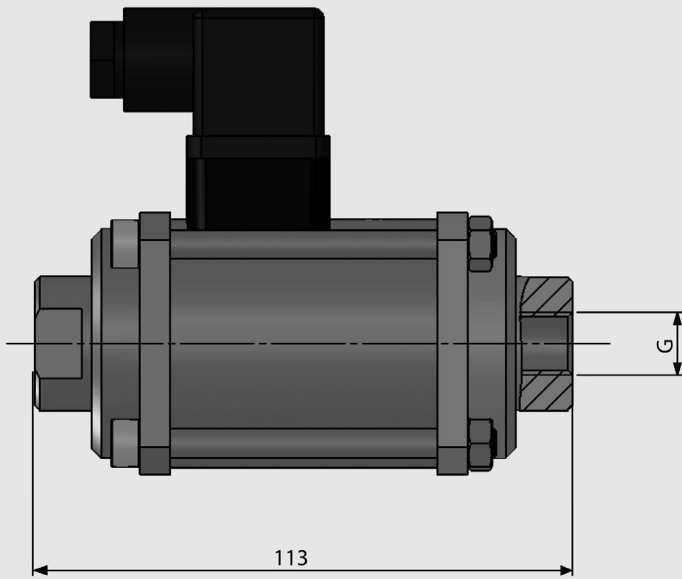
Supply voltage	DC: 24 V AC: 230 V 50 Hz Special voltages on request
Electrical part	DC: DC solenoid AC: DC solenoid with integrated rectifier
Connection	Female connector DIN EN 175301-803, Form A, for AC operation with integrated rectifier
Voltage tolerance	+ / - 10 % to VDE 0580
Duty cycle	100 %
IP class	IP 65 when connector is fitted

We would be happy to discuss your requirements for further options and accessories.

*optional

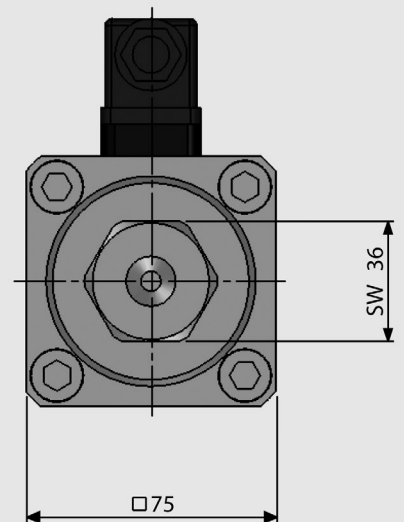
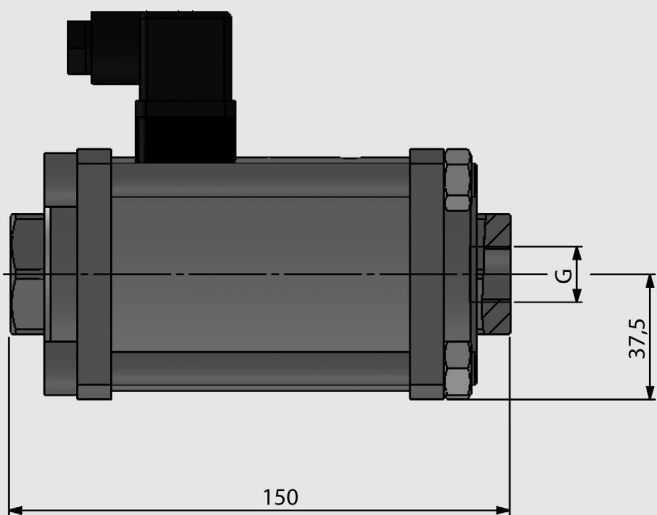
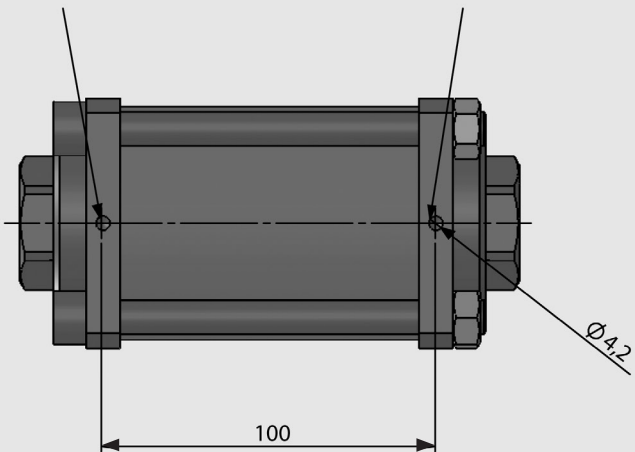
Series	DN [mm]	Pressure [bar]	Back pressure A → P [bar]	Connection	Kv value [l/min] DIN 60354	Power consumption [W]		Weight [kg]
						24 DC	230 V 50 Hz	
CXH1	2	0 - 100	16	G1/8, G1/4, G3/8	2.5	35	41	1.7
	3	0 - 40	16	G1/8, G1/4, G3/8	3.7	35	41	1.7
	4	0 - 20	16	G1/8, G1/4, G3/8	6.5	35	41	1.7
	5	0 - 16	16	G1/8, G1/4, G3/8	8.0	35	41	1.7
	6	0 - 10	16	G1/8, G1/4, G3/8	9.5	35	41	1.7
CXH2	1	0 - 300	100	G1/8, G1/4, G3/8	0.7	58	55	4.0
	2	0 - 300	50	G1/8, G1/4, G3/8	1.9	58	55	4.0
	2.5	0 - 300	30	G1/8, G1/4, G3/8	2.7	58	55	4.0
	3	0 - 270	24	G1/8, G1/4, G3/8	4.6	58	55	4.0
	4	0 - 135	9	G1/8, G1/4, G3/8	7.3	58	55	4.0
	5	0 - 90	3	G1/8, G1/4, G3/8	8.2	58	55	4.0
	6	0 - 60	2	G1/8, G1/4, G3/8	10.7	58	55	4.0

Dimensions CXH1



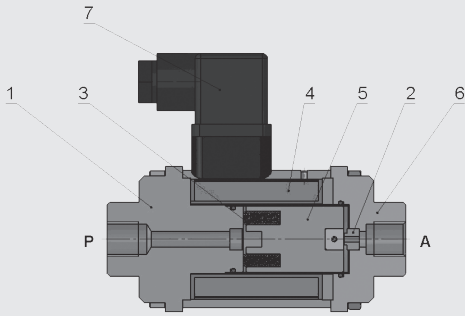
CXH2

Threaded holes for mounting bracket



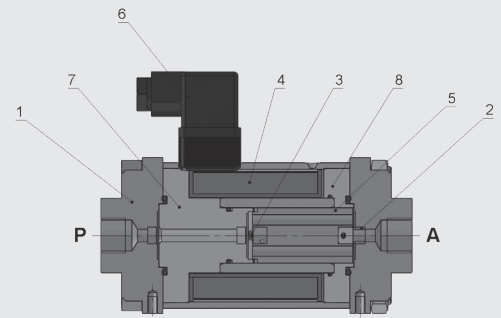
Sectional drawing

CXH1



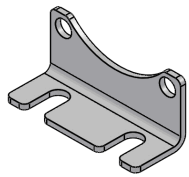
Item	Description	Qty.
1	Solenoid core	1
2	Orifice	1
3	Spring	2
4	Coil	1
5	Solenoid armature	1
6	Connection	1
7	Female connector	1

CXH2



Item	Description	Qty.
1	Connection	2
2	Orifice	1
3	Spring	2
4	Coil	1
5	Solenoid armature	1
6	Female connector	1
7	Solenoid core	1
8	Solenoid cap	1

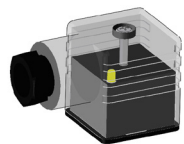
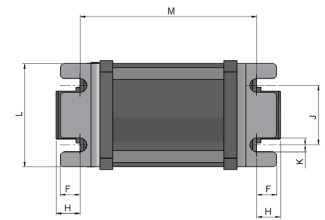
Accessories



Mounting bracket

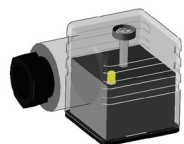
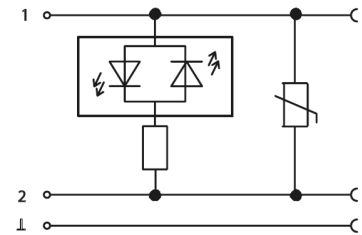
mechanical option = HW

Type	DN [mm]	F [mm]	H [mm]	J [mm]	K [mm]	L [mm]	M [mm]
CXH1	2-6	10	12	30	7	52	89
CXH2	1-6	10.5	-	45	7	70	139



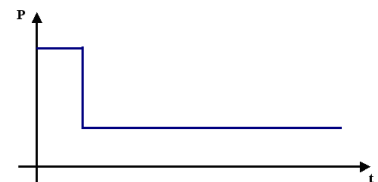
Female connector with LED

electrical option = LED



Female connector with power reduction

24 V DC
Form A
electrical option = LS



NOTE

The information in this brochure relates to the operating conditions and applications described.

For applications or operating conditions not described, please contact the relevant technical department.

Subject to technical modifications.

HYDAC Accessories GmbH

Hirschbachstr. 2

66280 Sulzbach/Saar

Tel.: +49 (0)6897 - 509-01

Fax: +49 (0)6897 - 509-1009

Internet: www.hydac.com

E-Mail: info@hydac.com