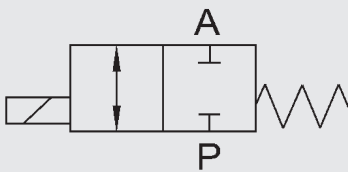


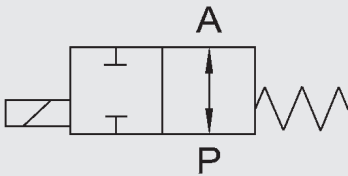
## 2/2-way Coaxial Valve

### CX EX Direct acting

#### Switching function



NC (closed when de-energised)



NO (open when de-energised)

#### Ordering data

- Nominal size
- Connection
- NC / NO function
- Operating pressure
- Flow capacity
- Media
- Media temperature
- Ambient temperature
- Supply voltage

#### Model code

(also example order)

**CX EX 2/2 D C 2 10 020 012 24 V ...**

#### Type

CX EX = CX EX series

#### Ways

2/2 = Number of ways

#### Control

D = Direct

#### Switching function

C = NC - closed when de-energised

O = NO - open when de-energised

#### Housing material

2 = Brass

4 = 1.4305\*

5 = 1.4571\*

#### Nominal size

10 = DN 10

15 = DN 15

#### Pressure range

020 = >0 - 20 bar

#### Connection

014 = G 1/4 DN 10

038 = G 3/8 DN 10, DN 15

012 = G 1/2 DN 10, DN 15

034 = G 3/4 DN 15

#### Supply voltage

24V = 24V DC

230V = 230V AC 40 - 60 Hz

#### Options

see accessories

\*optional

## Technical data

Control	2/2-way valve, direct acting
Nominal size	DN 10, DN 15
Pressure range (see table)	PN 0 to PN 20 (higher pressures on request)
Connections (see table)	Female threaded connection
Housing material	Brass, 1.4305*, 1.4571*
Seal material	Static: FKM Dynamic: PTFE Seat seal: FKM
Back-pressure resistant	up to 16 bar
Media	Gaseous, liquid, contaminated
Flow direction	P → A max. 20 bar A → P max. 16 bar
Temperature of medium	-20 °C to +40 °C
Ambient temperature	-30 °C to +40 °C
Installation position	In any position

## Electrical part

Supply voltage	DC: 24 V AC: 230 V 50 Hz
Electrical part	DC: DC solenoid AC: DC solenoid with integrated rectifier
Connection	Cable gland M16 x 1.5
Voltage tolerance	+ / - 10 % to VDE 0580
Duty cycle	100 %
Explosion protection	II 2G Ex em II T4 II 2 D td A21 IP65 T130°C

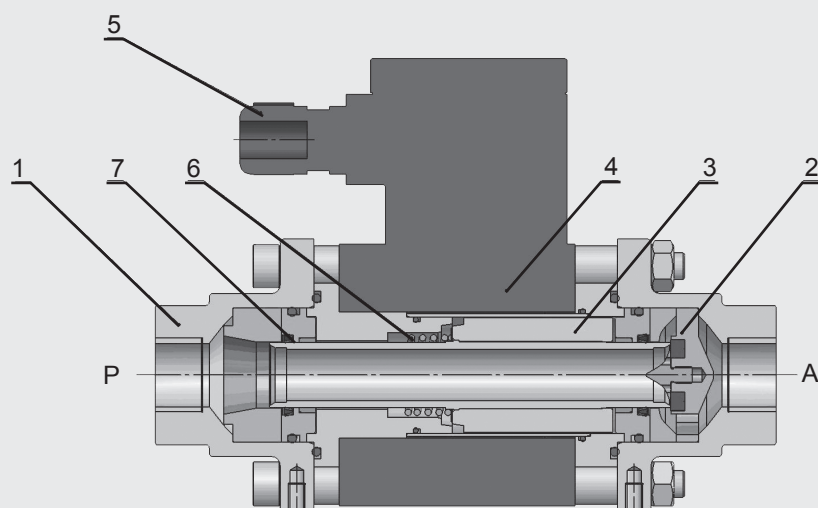
We would be happy to discuss your requirements for further options and accessories.

\*optional

Series	DN [mm]	Pressure [bar]	Connection (Valve)	Kv value [m³/h] DIN 60354	Power consumption [W]		Weight [kg]
					24 V DC	230 V 50 Hz	
CX EX	10	0 - 20	G1/4, G3/8, G1/2	2.5	23	23	2.3
	15	0 - 20*	G3/8, G1/2, G3/4	5.2	30	30	4.3

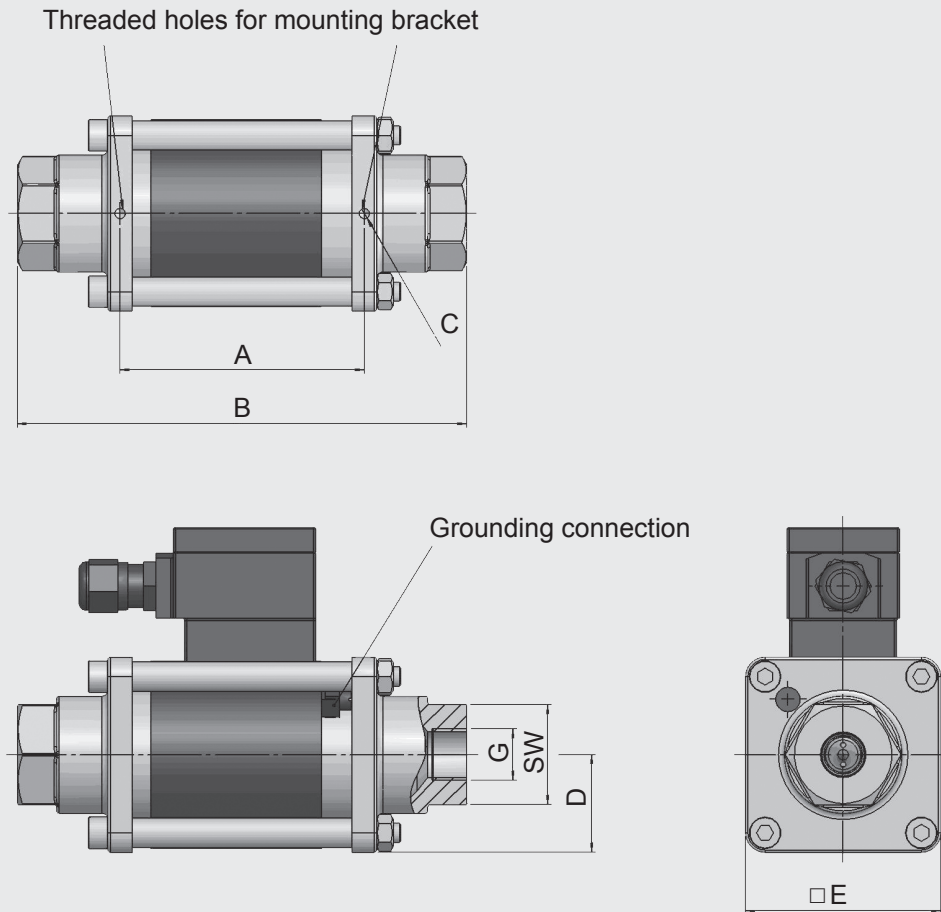
\*Higher pressures on request

## Sectional drawing



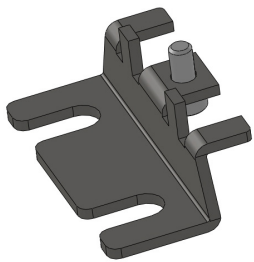
Item	Description	Qty.
1	Connection	2
2	Valve seat	1
3	Solenoid armature	1
4	Solenoid	1
5	Cable gland	1
6	Spring	1
7	PTFE rod seal	2

## Dimensions



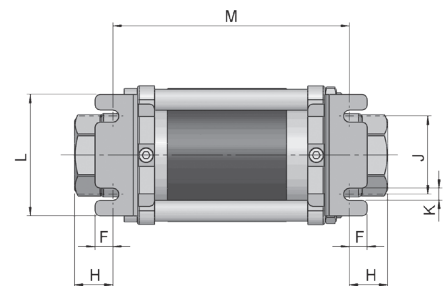
DN	G	SW [mm]	A [mm]	B [mm]	C	D [mm]	E
10	G1/4, G3/8, G1/2	32	84	159.5	M4	32.5	65
15	G3/8, G1/2, G3/4	41	100	184	M5	40	80

## Accessories



**Mounting bracket**  
mechanical option = HW

DN	F [mm]	H [mm]	J [mm]	K [mm]	L [mm]	M [mm]
10	10	23.5	30	7	50	112.5
15	10.5	22.5	45	7	70	139



## NOTE

The information in this brochure relates to the operating conditions and applications described.

For applications or operating conditions not described, please contact the relevant technical department.

Subject to technical modifications.

## HYDAC Accessories GmbH

Hirschbachstr. 2

**66280 Sulzbach/Saar**

Tel.: +49 (0)6897 - 509-01

Fax: +49 (0)6897 - 509-1009

Internet: [www.hydac.com](http://www.hydac.com)

E-Mail: [info@hydac.com](mailto:info@hydac.com)

