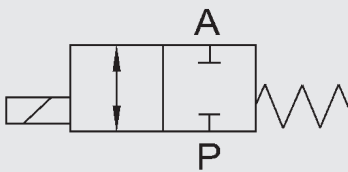


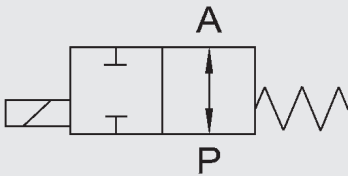
2/2-way Coaxial Valve

CX EX direct acting

Switching function



NC (closed when de-energised)



NO (open when de-energised)

Order data

- Nominal size
- Connection
- NC / NO function
- Operating pressure
- Flow capacity
- Media
- Media temperature
- Ambient temperature
- Supply voltage

! If order details or application data are inaccurate or incomplete, there is a risk that the technical configuration of the valves may not be correct for the desired use. This may result in the physical and/or chemical characteristics of the materials or seals used not being adequate for the intended use.

Model code

(also example order)

CX EX 2/2 D C 2 10 020 012 24 V ...

Designation

CX EX = CX EX series

Ways

2/2 = Number of ways

Control

D = Direct

Switching function

C = NC - closed when de-energised

O = NO - open when de-energised

Housing material

2 = Brass

4 = 1.4305*

5 = 1.4571*

Nominal size

10 = DN 10

15 = DN 15

Pressure range

020 = >0 - 20 bar

Connection

014 = G¹/₄ DN 10

038 = G³/₈ DN 10, DN 15

012 = G¹/₂ DN 10, DN 15

034 = G³/₄ DN 15

Supply voltage

24V = 24V DC

230V = 230V AC 40–60 Hz

Options

See accessories


*optional

Technical data

Control	2/2-way valve, direct acting
Nominal size	DN 10, DN 15
Pressure range (see table)	PN 0 to PN 20 (higher pressures on request)
Connections (see table)	Female threaded connection
Housing material	Brass, 1.4305*, 1.4571*
Seal material	Static: FKM Dynamic: PTFE Seat seal: FKM
Back-pressure resistant	Up to 16 bar
Vacuum	Leakage rate <10 ⁻⁶ mbar•l/s *
Media	Gaseous, fluid, high-viscosity, gelatinous, contaminated
Abrasive operating fluids	On request
Flow direction	P → A max. 20 bar A → P max. 16 bar
Temperature of medium	-20 °C to +40 °C
Ambient temperature	-30 °C to +40 °C
Mounting position	No orientation restrictions


Electrical part

Supply voltage	DC: 24 V AC: 230 V 50 Hz
Connection	Cable gland M16 x 1.5
Voltage tolerance	+ / - 10% to VDE 0580
Duty cycle	100%
Explosion protection	II 2G Ex em II T4 II 2 D td A21 IP65 T130°C

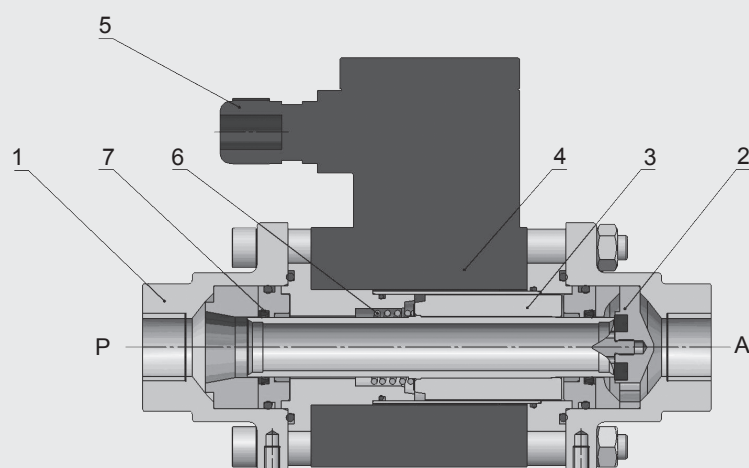
 The material specification refers exclusively to the valve connection parts in contact with the medium. *optional

Series	DN [mm]	Pressure [bar]	Connection (Valve)	Kv value [m ³ /h]	Power consumption [W]		Weight [kg]
					24 V DC	230 V 50 Hz	
CX EX	10	0 - 20	G ¹ / ₄ , G ³ / ₈ , G ¹ / ₂	2.5	23	23	2.3
	15	0 - 20*	G ³ / ₈ , G ¹ / ₂ , G ³ / ₄	5.2	30	30	4.3

*Higher pressures on request

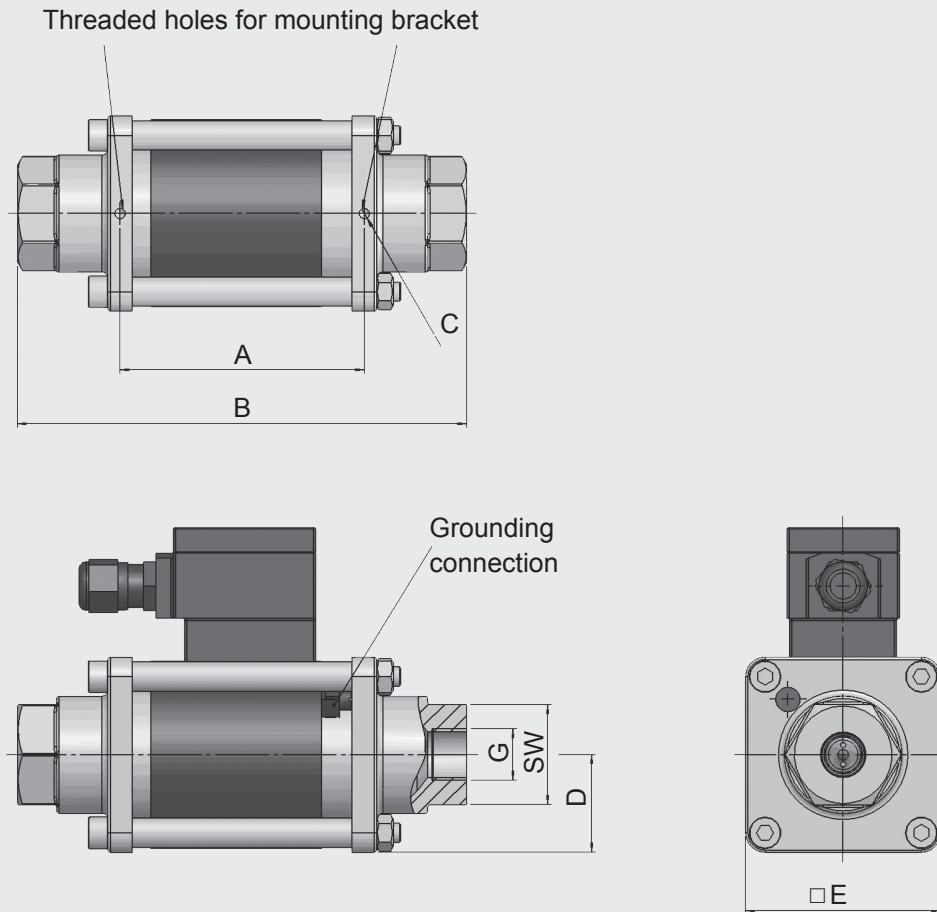
 The valves are technically configured for specific media and applications. This may result in deviations from the general information given in the data sheet in terms of the design, sealing materials and specifications.

Sectional drawing



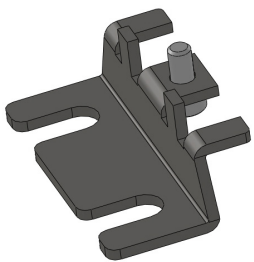
Item	Description	Qty.
1	Connection	2
2	Valve seat	1
3	Solenoid armature	1
4	Solenoid	1
5	Cable gland	1
6	Spring	1
7	PTFE rod seal	2

Dimensions



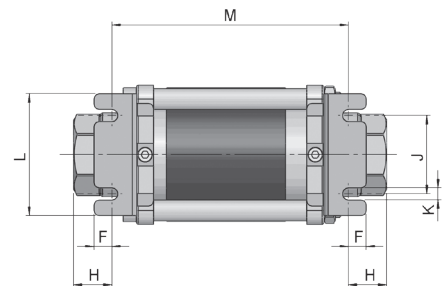
DN	G	SW [mm]	A [mm]	B [mm]	C	D [mm]	E [mm]
10	G $\frac{1}{4}$, G $\frac{3}{8}$, G $\frac{1}{2}$	32	84	159.5	M4	32.5	65
15	G $\frac{3}{8}$, G $\frac{1}{2}$, G $\frac{3}{4}$	41	100	184	M5	40	80

Accessories



Mounting bracket
mechanical option = HW

DN	F [mm]	H [mm]	J [mm]	K [mm]	L [mm]	M [mm]
10	10	23.5	30	7	50	112.5
15	10.5	22.5	45	7	70	139



We would be happy to discuss your requirements for further options and accessories

NOTE

The information in this brochure relates to the operating conditions and applications described. For applications or operating conditions not described, please contact the relevant technical department.

The operator is always responsible for determining the product suitability for the specific application. Quantified values for product characteristics are average values for a new product that undergo a time deterioration process.

Subject to technical modifications and errors.

HYDAC Accessories GmbH
Hirschbachstr. 2
66280 Sulzbach/Saar
Tel.: +49 (0)6897 - 509-01
Fax: +49 (0)6897 - 509-1009
Internet: www.hydac.com
E-Mail: info@hydac.com

