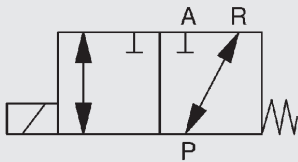
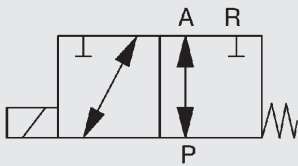


## 3/2-way Coaxial Valve CX EX direct acting

### Switching function



NC (closed when de-energised)



NO (open when de-energised)

### Order data

- Nominal size
- Connection
- NC / NO function
- Operating pressure
- Flow rate
- Media
- Temperature of medium
- Ambient temperature
- Supply voltage

**!** If order details or application data are inaccurate or incomplete, there is a risk that the technical configuration of the valves may not be correct for the desired use. This may result in the physical and/or chemical characteristics of the materials or seals used not being adequate for the intended use.

### Model code

(also example order)

**CX EX 3/2 D C 2 10 020 012 24V ...**

#### Designation

CX EX = CX EX series

#### Ways

3/2 = Number of ways

#### Control

D = Direct

#### Switching function

C = NC - closed when de-energised

O = NO - open when de-energised

#### Housing material

2 = Brass

4 = 1.4305\*

5 = 1.4571\*

#### Valve sizes

10 = DN 10

15 = DN 15

#### Pressure range

016 = >0–16 bar DN 15

020 = >0–20 bar DN 10

#### Connection

014 = G $\frac{1}{4}$  DN 10

038 = G $\frac{3}{8}$  DN 10, DN 15

012 = G $\frac{1}{2}$  DN 10, DN 15

034 = G $\frac{3}{4}$  DN 15

#### Supply voltage

24V = 24 V DC

230V = 230 V AC 40–60 Hz

#### Options

See accessories

\*optional

## Technical data


Control	3/2-way valve, direct acting
Nominal size	DN 10, DN 15
Pressure range (see table)	PN 0 to PN 20
Connections (see table)	Female threaded connection
Housing material	Brass, 1.4305*, 1.4571*
Seal material	Static: FKM Dynamic: PTFE Seat seal: FKM
Back-pressure resistant	Up to max. 16 bar
Vacuum	Leakage rate <10 <sup>-6</sup> mbar•l/s *
Media	Gaseous, fluid, high-viscosity, gelatinous, contaminated
Abrasive operating fluids	On request
Flow direction	P → A max. 20 bar A → P max. 16 bar
Temperature of medium	-20 °C to +40 °C
Ambient temperature	-30 °C to +40 °C
Mounting position	No orientation restrictions

## Electrical part

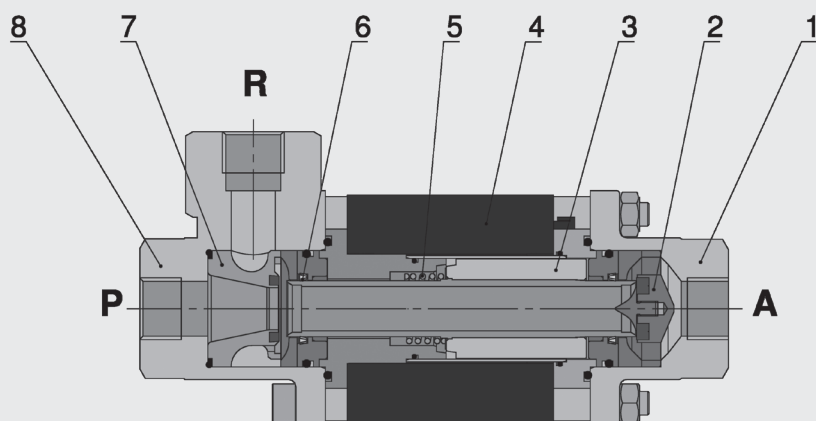
Supply voltage	DC: 24 V AC: 230 V 50 Hz
Connection	Screw type conduit fitting M16 x 1.5
Voltage tolerance	+ / - 10% to VDE 0580
Duty cycle	100% duty cycle
Explosion protection	II 2G Ex em II T4 II 2 D td A21 IP65 T130°C

 The material information relates exclusively to valve connection parts that come into contact with medium. \*optional

Series	DN [mm]	Pressure [bar]	Connection (Valve)	Kv value [m³/h]	Power consumption [W]		Weight [kg]
					24 V DC	230 V 50Hz	
CX EX	10	0–20	G¼, G¾, G½	2.5	23	23	2.7
	15	0–16	G¾, G½, G¼	5.6	30	30	4.4

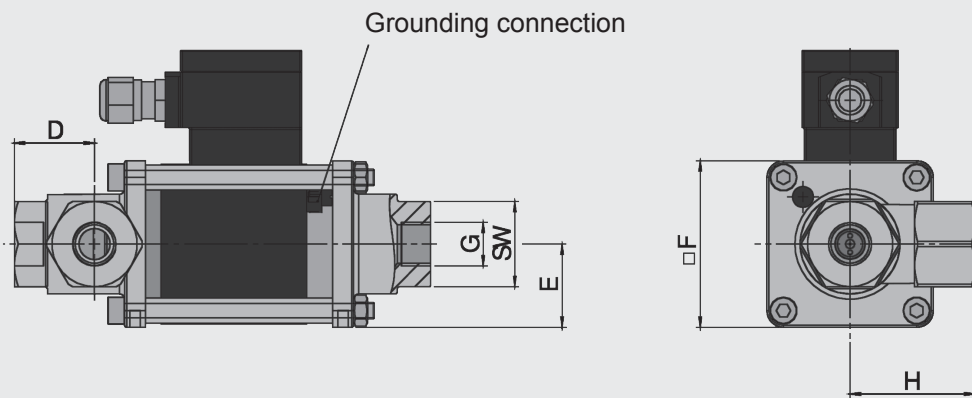
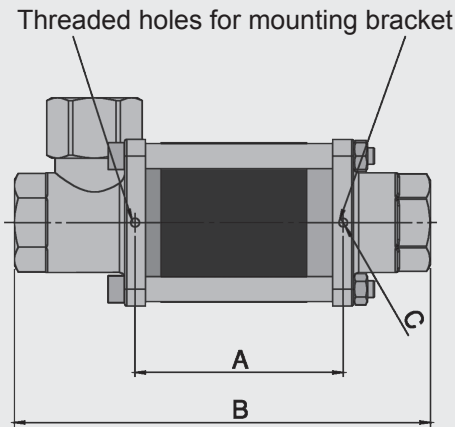
 The valves are technically configured for specific media and applications. This may result in deviations from the general information given in the data sheet in terms of the design, sealing materials and specifications.

## Sectional drawing



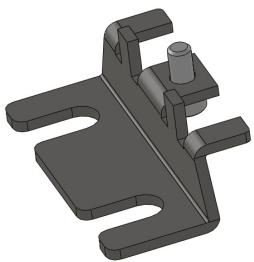
Item	Designation	Qty.
1	2/2-way connecting block	1
2	2/2-way valve seat	1
3	Solenoid armature	1
4	Solenoid	1
5	Spring	1
6	PTFE rod seal	2
7	3/2-way valve seat	1
8	3/2-way connecting block	1

## Dimensions



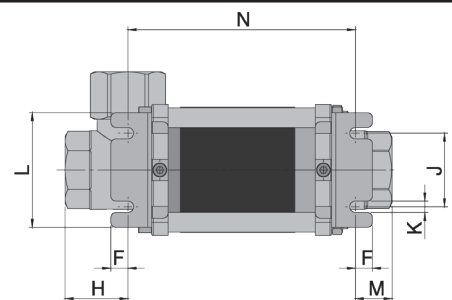
DN [mm]	G	SW (AF width)	A [mm]	B [mm]	C	D [mm]	E [mm]	F [mm]	H [mm]
10	G $\frac{1}{4}$ , G $\frac{3}{8}$ , G $\frac{1}{2}$	32	84	166.5	M4	32	32.5	65	37
15	G $\frac{3}{8}$ , G $\frac{1}{2}$ , G $\frac{3}{4}$	41	100	200	M5	38.5	40	80	60

## Accessories



**Mounting bracket**  
mechanical option = HW

DN	F [mm]	H [mm]	J [mm]	K [mm]	L [mm]	M [mm]	N [mm]
10	10	30.5	30	7	50	23.5	112.5
15	10.5	38.5	45	7	70	22.5	139



We would be happy to discuss your requirements for further options and accessories

## NOTE

The information in this brochure relates to the operating conditions and applications described. For applications or operating conditions not described, please contact the relevant technical department.

Users bear the responsibility in all cases for determining the product's suitability in the specific application. Quantified values for product characteristics are average values for a new product that undergo a time deterioration process.

Errors and technical changes excepted.

**HYDAC Accessories GmbH**  
Hirschbachstr. 2  
**66280 Sulzbach/Saar**  
Tel.: +49 (0)6897 - 509-01  
Fax: +49 (0)6897 - 509-1009  
Internet: [www.hydac.com](http://www.hydac.com)  
e-mail: [info@hydac.com](mailto:info@hydac.com)

