



## HY-LOOP hook-and-loop clamp

CFL S, CFL SB, CFL HL

### Model code

(also order example)

CFL S SCR M4 W10 4-20 PA

#### Series

CFL = HY-LOOP hook-and-loop clamp

#### Designation

S = hook-and-loop base

SB = hook-and-loop base with hook-and-loop tape

#### Installation

SCR M4 = countersunk screw M4

SCR M4/M5 = countersunk screw M4/M5

SCR M6 = countersunk screw M6

P01 = C mounting rail 11x2.0

P02 = C mounting rail 16x2.0

P03 = C mounting rail 11x1.5

#### Tape width

W10 = 10 mm

W20 = 20 mm

W30 = 30 mm

#### Clamping range

(according to dimensions)

#### Material

PA = polyamide

PA/PP = polyamide/polypropylene

### Model code

(also order example)

CFL HL W10 PP roll

#### Series

CFL = HY-LOOP hook-and-loop clamp

#### Designation

HL = hook-and-loop tape

#### Tape width

W10 = 10 mm

W20 = 20 mm

W30 = 30 mm

#### Material

PP = polypropylene

#### Sales format

roll = roll for cutting to length

### ATTENTION

The HY-LOOP hook-and-loop clamp is used to fasten pipes and cables but does not serve to transfer loads.

## Technical details

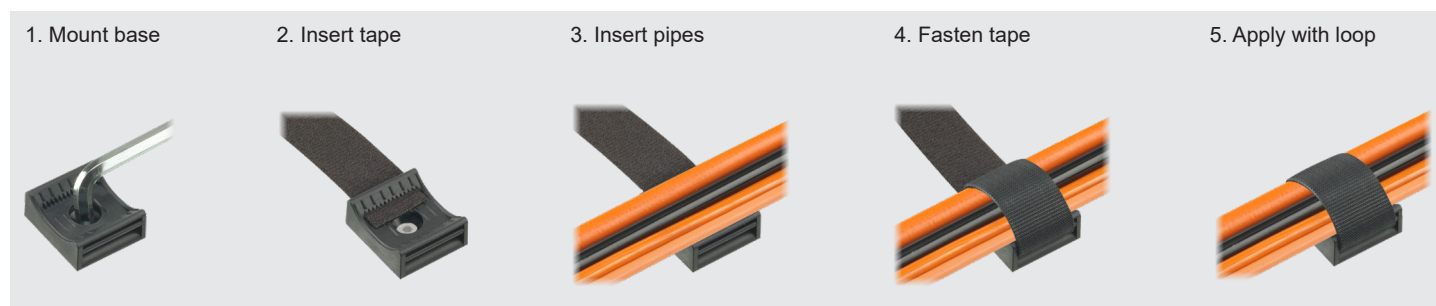
### Hook-and-loop tape base

Material	Polyamide, glass-fibre reinforced (PA GF) free from halogens
Fire protection	Self-extinguishing in acc. with UL94-V0
Temperature range	-40 °C to +80 °C (normal load)

### Hook-and-loop tape

Material	Polypropylene & velour PA (extruded and laminated) Free from halogens and silicone
Hooks/cm <sup>2</sup>	On average 272
Shear strength	Min. 7.0 N/cm <sup>2</sup>
Peel strength	Min. 0.4 N/cm
Tearing strength	Min. 120 N/cm <sup>2</sup>
Service life	> 50% holding force after 100 cycles
Fire protection	Flammability test UL94-V2
Melting point	150 °C
Width	10 / 20 / 30 mm
Length	25 m (on roll)

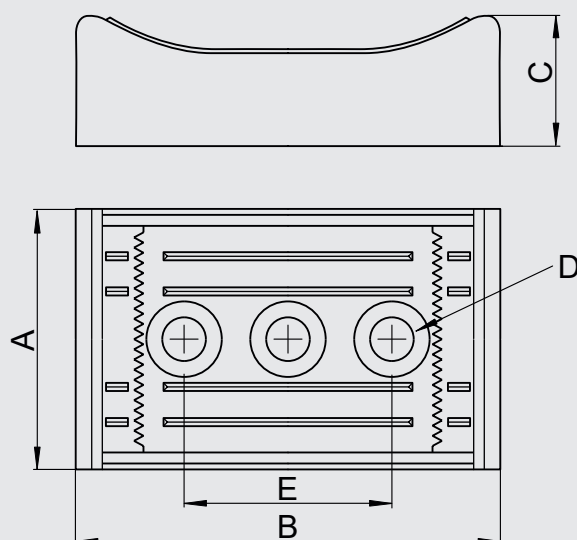
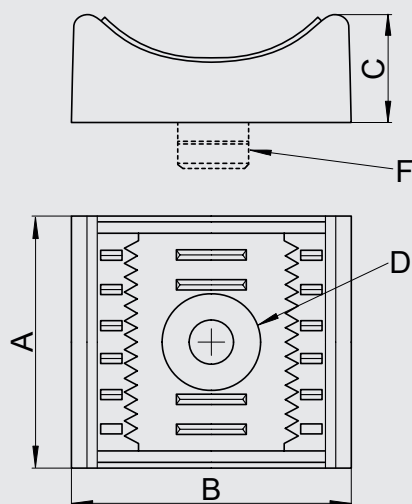
## Mounting procedure



## Dimensions, hook-and-loop tape base

Tape width 10 and 20 mm

Tape width 30 mm



### NOTICE:

Part may differ from illustration.

Description	Part no.	A [mm]	W [mm]	C [mm]	D/F	E [mm]	Tape		Ø clamping range [mm]
							Width [mm]	Length [mm]	
CFL SBSCR M4 W10 4-20 PA/PP	4512954	15	18.6	8.6	Bore for DIN ISO countersunk screw M4	-	10	150	4 - 20
CFL SBSCR M4 W20 8-35 PA/PP	4512992	26	29	11.3	Bore for DIN ISO countersunk screw M4	-	20	180	8 - 35
CFL SBSCR M4/M5 W20 10-60 PA/PP	4512988	26	36	11.3	Bore for DIN ISO countersunk screw M4 or M5	-	20	200	10 - 60
CFL SBSCR M6 W30 20-100 PA/PP	4512994	38	62	18.5	Three bores for DIN ISO cheese-head screw M6	30	30	300	20 - 100
CFL SSCR M4 W10 4-20 PA	4512953	15	18.6	8.6	Bore for DIN ISO countersunk screw M4	-	-	-	4 - 20
CFL SSCR M4 W20 8-35 PA	4512990	26	29	11.3	Bore for DIN ISO countersunk screw M4	-	-	-	8 - 35
CFL SSCR M4/M5 W20 10-60 PA	4512987	26	36	11.3	Bore for DIN ISO countersunk screw M4 or M5	-	-	-	10 - 60
CFL SSCR M6 W30 20-100 PA	4512993	38	62	18.5	Three bores for DIN ISO cheese-head screw M6	30	-	-	20 - 100
CFL SBP01 W20 8-35 PA/PP	4512948	26	28	11.2	Base for mounting rail C11x2.0	-	20	180	8 - 35
CFL SBP01 W20 10-60 PA/PP	4512946	26	36	11.2	Base for mounting rail C11x2.0	-	20	200	10 - 60
CFL SBP02 W20 8-35 PA/PP	4512952	26	28	11.2	Base for mounting rail C16x2.0	-	20	180	8 - 35
CFL SBP02 W20 10-60 PA/PP	4512950	26	36	11.1	Base for mounting rail C16x2.0	-	20	200	10 - 60
CFL SP01 W20 8-35 PA	4512947	26	28	11.2	Base for mounting rail C11x2.0	-	-	-	8 - 35
CFL SP01 W20 10-60 PA	4512945	26	36	11.2	Base for mounting rail C11x2.0	-	-	-	10 - 60
CFL SP02 W20 8-35 PA	4512951	26	28	11.2	Base for mounting rail C16x2.0	-	-	-	8 - 35
CFL SP02 W20 10-60 PA	4512949	26	36	11.1	Base for mounting rail C16x2.0	-	-	-	10 - 60

## NOTE

The information in this brochure relates to the operating conditions and applications described. For applications or operating conditions not described please contact the relevant technical department.

The operator is always responsible for determining the product suitability for the specific application. Quantified values for product characteristics are average values for a new product that undergo a time deterioration process.

Subject to technical modifications and errors.

## **HYDAC Accessories GmbH**

Hirschbachstr. 2

**66280 Sulzbach/Saar**

Tel.: +49 (0)6897 - 509-01

Internet: [www.hydac.com](http://www.hydac.com)

E-mail: [accessories@hydac.com](mailto:accessories@hydac.com)