



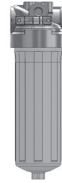
**Series**

## Diesel MainCare HDM Diesel Fine Filtration for Engine-Side Installation

HDM 170



HDM 340



### 1. TECHNICAL SPECIFICATIONS

#### 1.1 FILTER

Extremely high dirt holding capacity and filtration ratings which meet the requirements of modern injection systems are core features of our HYDAC Diesel MainCare (HDM) Standard series.

Easy installation and maintenance as well as excellent filtration performance for engine-side installation ensure this is the filter of choice for exacting end users.

The filter element is completely incinerable and the materials are used in an ecologically responsible manner.

#### 1.2 FILTER ELEMENTS

The filter element (Dieselmicron®) is notable for its fully synthetic filter media.

For us, outstanding service life in conjunction with maximum filter efficiency is just as important as demonstrating excellent cold start characteristics and compatibility with all conventional diesel fuels.

In comparison to commonly available fuel filters, HYDAC Diesel MainCare filters are significantly more compact in size without any loss in service life.

Constant monitoring of the filter performance according to ISO 19438 and stringent criteria regarding component cleanliness are considered essential for state-of-the-art fine filters.

#### 1.3 SEALS

Perbunan (=NBR)

#### 1.4 INSTALLATION

Main filtration, diesel filtration

#### 1.5 SPARE PARTS

See Original Spare Parts List

#### 1.6 CERTIFICATES AND APPROVALS

On request

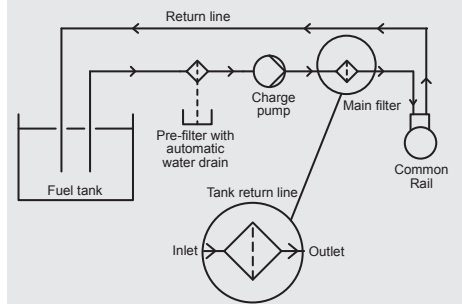
#### 1.7 COMPATIBILITY WITH FUELS

Diesel, biodiesel (B0-B100),  
(non-conductive)

#### 1.8 IMPORTANT INFORMATION

- Filter housings must be earthed.
- When using electrical clogging indicators, the electrical power supply to the system must be switched off before removing the clogging indicator connector.

#### Symbol for hydraulic systems



## 2. MODEL CODE (also order example)

**HDM KF1 340 EC1 4 W 1 . X /-Kxx**

### 2.1 COMPLETE FILTER "ECONOMY"

**Filter type**

HDM

**Filter material**

KF1 Dieselmicron®

**Size of filter or element**

HDM 170, 340

**Evolution stage**

EC1

**Filtration rating**

4 µm standard, fully synthetic

**Type of clogging indicator**

W no connection for a clogging indicator

**Type code**

1

**Modification number**

X the latest version is always supplied

**Supplementary details**

Kxx customer-specific

### 2.2 SPARE ELEMENT "ECONOMY"

**0340 EC1 004 KF1 /-Kxx**

**Size**

0170, 0340

**Evolution stage**

EC1

**Filtration rating**

4 µm standard, fully synthetic

**Filter material**

KF1 Dieselmicron®

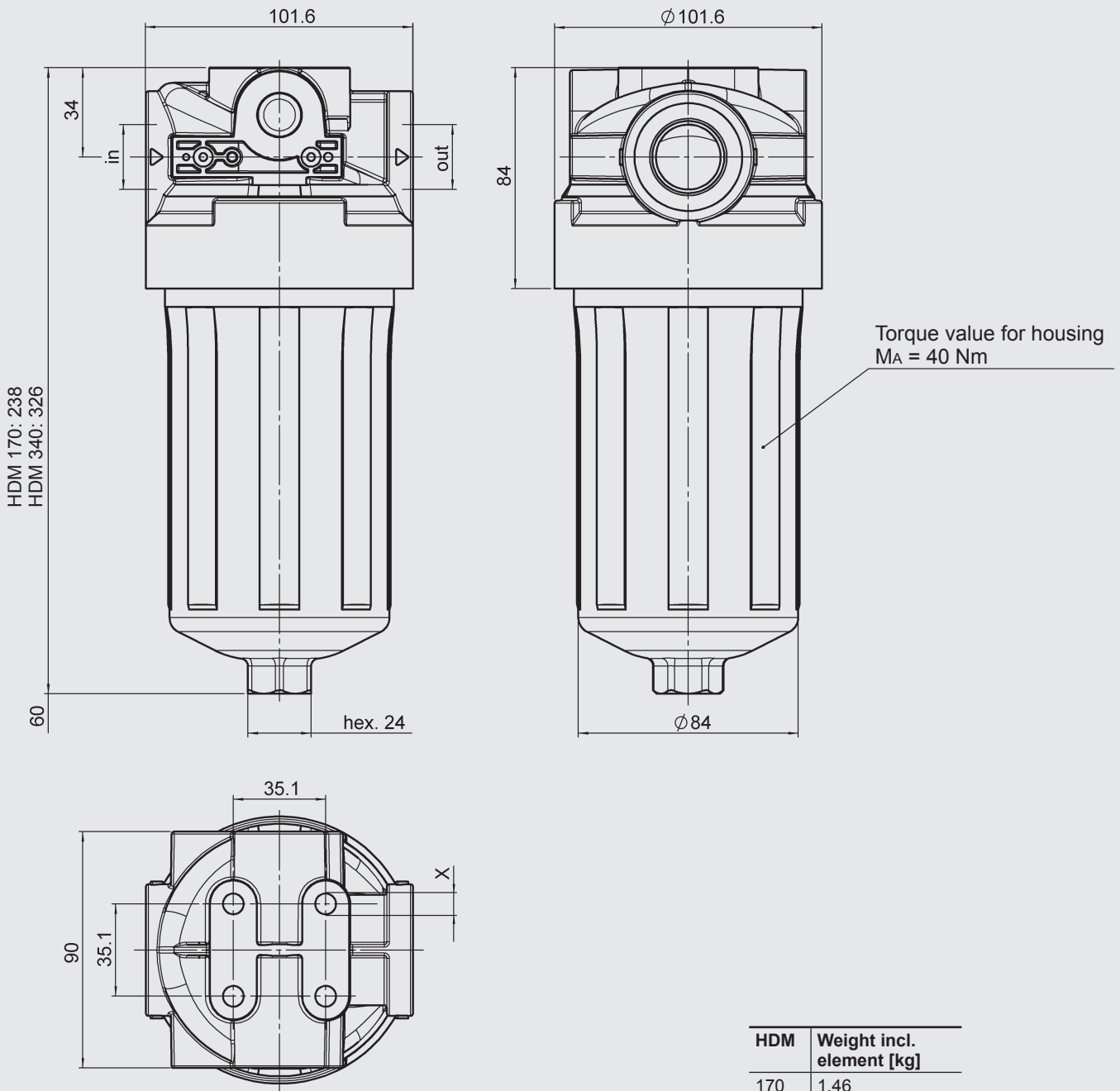
**Supplementary details**

Kxx customer-specific

**Other sizes and model codes on request!**

### 3. DIMENSIONS

#### HDM 170, 340



HDM	Weight incl. element [kg]
170	1.46
340	1.74

