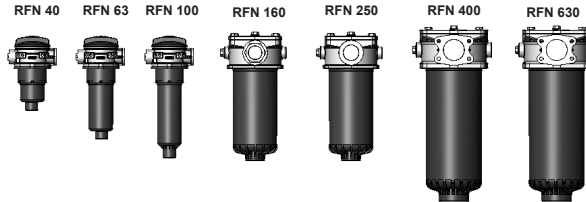




Tank-Top Return Line Filter RFN with Elements to DIN 24550 up to 490 l/min, up to 10 bar



1. TECHNICAL SPECIFICATIONS

1.1 FILTER HOUSING

Construction

The filter housings are designed in accordance with international regulations. They consist of a filter head, filter bowl and a bolt-on cover plate.

Standard equipment:

- bypass valve
- connection for a clogging indicator

1.2 FILTER ELEMENTS

HYDAC filter elements are validated and their quality is constantly monitored according to the following standards:

- ISO 2941
- ISO 2942
- ISO 2943
- ISO 3724
- ISO 3968
- ISO 11170
- ISO 16889

Filter elements are available with the following pressure stability values:
Betamicon® (BN4HC): 20 bar

1.3 FILTER SPECIFICATIONS

Nominal pressure	10 bar
Temperature range	-10 °C to +100 °C
Material of filter head	Aluminium
Material of filter bowl	Polyamide
Material of cover plate	Polyamide (RFN 40 to 100) Aluminium (RFN 160 to 630)
Type of clogging indicator	VR Connection thread G 1/2 VMF Connection thread G 1/8
Pressure setting of the clogging indicator	2.5 bar (others on request)
Bypass cracking pressure	3.5 bar (others on request)

1.4 SEALS

NBR (=Perbunan)

1.5 INSTALLATION

Tank-top filter

1.6 SPECIAL MODELS AND ACCESSORIES

On request

1.7 SPARE PARTS

See Original Spare Parts List

1.8 CERTIFICATES AND APPROVALS

On request

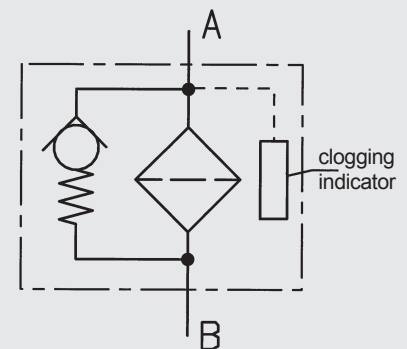
1.9 COMPATIBILITY WITH HYDRAULIC FLUIDS ISO 2943

- Hydraulic oils H to HLPD DIN 51524
- Lubrication oils DIN 51517, API, ACEA, DIN 51515, ISO 6743
- Compressor oils DIN 51506
- Biodegradable operating fluids VDMA 24568 HETG, HEES, HEPG
- Fire-resistant fluids HFA, HFB, HFC and HFD
- Operating fluids with high water content (>50% water content) on request

1.10 IMPORTANT INFORMATION

- Filter housings must be earthed.
- When using electrical clogging indicators, the electrical power supply to the system must be switched off before removing the clogging indicator connector.

Symbol for hydraulic systems



VA = clogging indicator

2. MODEL CODE (also order example)

RFN BN/HC 250 B F 10 D 1 . X /-L24

2.1 COMPLETE FILTER

Filter type

RFN

Filter material

BN/HC Betamicron® (BN4HC)

Size of filter or element

RFN: 40, 63, 100, 160, 250, 400, 630

Operating pressure

B = 10 bar

V = 7 bar (for RFN with clogging indicator up to max. 7 bar operating pressure)

Type and size of port

to DIN 24550 (●), possible ports (X)

Type	Connection	Filter size						
		40	63	100	160	250	400	630
B	G 1/2	●	X	X				
C	G 3/4	X	●	X				
D	G 1	X	X	●				
E	G1 1/4				●	X		
F	G1 1/2				X	●		
M	DN 64						X	●

Filtration rating in µm

BN/HC: 3, 6, 10, 25

Type of clogging indicator

Y plastic blanking plug in indicator port

A steel blanking plug in indicator port

B visual

C electrical

D visual and electrical

LZ visual-mechanical / electrical

for other clogging indicators,
see brochure no. 7.050../..

Type code

1

Modification number

X the latest version is always supplied

Supplementary details

L... light with appropriate voltage (24V, 48V, 110V, 220V)] only for clogging

LED 2 light emitting diodes up to 24 Volt] indicators type D

AV LZ indicator with plug to AUDI and VW specification

BO LZ indicator with plug and pin connection to BMW and Opel specification (M12x1)

CN LZ indicator with plug to DIN 43651 with 3 LEDs (CNOMO specification)

DB LZ indicator with plug to DIN 43651 with 3 LEDs (Daimler-Benz specification)

D4C LZ indicator with plug and connector to Daimler-Chrysler specification and cold start suppression 30°C

BO-LED as for BO, but with diode strip

GM LZ indicator with "no element" indicator

30C LZ indicator with temperature limiter (only in conjunction with type DB)

T with tank breather filter (only RFN 40, 63, 100)

BAN filling connection G3/4 (from size RFN 160)

Vxxx outlet extension (xxx = corresponding length in mm)

V FPM seals

2.2 REPLACEMENT ELEMENT

0250 RN 010 BN4HC /-V

Size

0040, 0063, 0100, 0160, 0250, 0400, 0630

Type

RN

Filtration rating in µm

BN4HC: 003, 006, 010, 025

Filter material

BN4HC

Supplementary details

V (for descriptions, see Point 2.1)

2.3 REPLACEMENT CLOGGING INDICATOR

VR 2.5 D . X /-L24

Type of clogging indicator

VR connection thread G 1/2 (size 160 and above)

VMF connection thread G 1/8 (only size 40, 63, 100)

Pressure setting

2.5 standard 2.5 bar, others on request

Type of clogging indicator

D (see Point 2.1)

Modification number

X the latest version is always supplied

Supplementary details

V for all VR indicators

for all VMF indicators only for types B, LE, LZ and C /-EX2G

(all other VMF indicators have FPM seals as standard)

L..., LED, (for descriptions, see point 2.1.)

3. FILTER CALCULATION / SIZING

The total pressure drop of a filter at a certain flow rate Q is the sum of the housing Δp and the element Δp and is calculated as follows:

$$\Delta p_{\text{total}} = \Delta p_{\text{housing}} + \Delta p_{\text{element}}$$

$$\Delta p_{\text{housing}} = (\text{see Point 3.1})$$

$$\Delta p_{\text{element}} = Q \cdot \frac{SK^*}{1000} \cdot \frac{\text{viscosity}}{30}$$

(*see point 3.2)

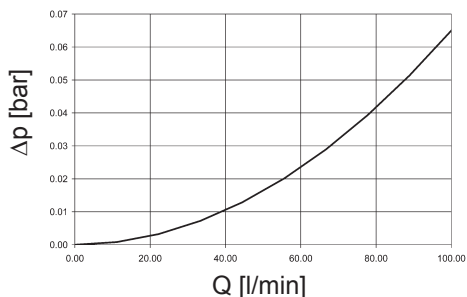
For ease of calculation, our Filter Sizing Program is available on request free of charge.

NEW: Sizing online at www.hydac.com

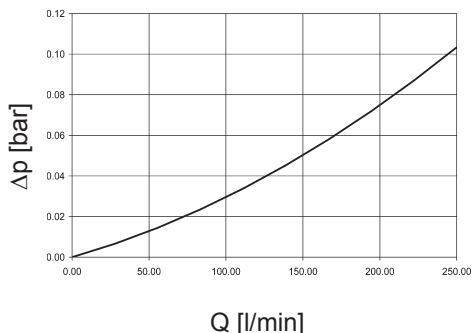
3.1 Δp -Q HOUSING CURVES BASED ON ISO 3968

The housing curves apply to mineral oil with a density of 0.86 kg/dm³ and a kinematic viscosity of 30 mm²/s. In this case, the differential pressure changes proportionally to the density.

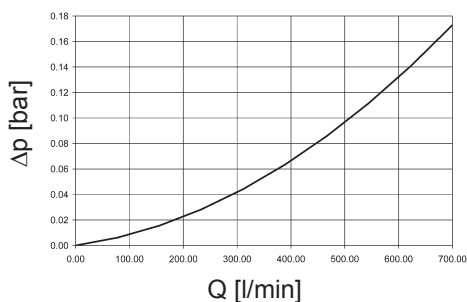
RFN 40/63/100



RFN 160/250



RFN 400/630



3.2 GRADIENT COEFFICIENTS (SK) FOR FILTER ELEMENTS

The gradient coefficients in mbar/(l/min) apply to mineral oils with a kinematic viscosity of 30 mm²/s. The pressure drop changes proportionally to the change in viscosity.

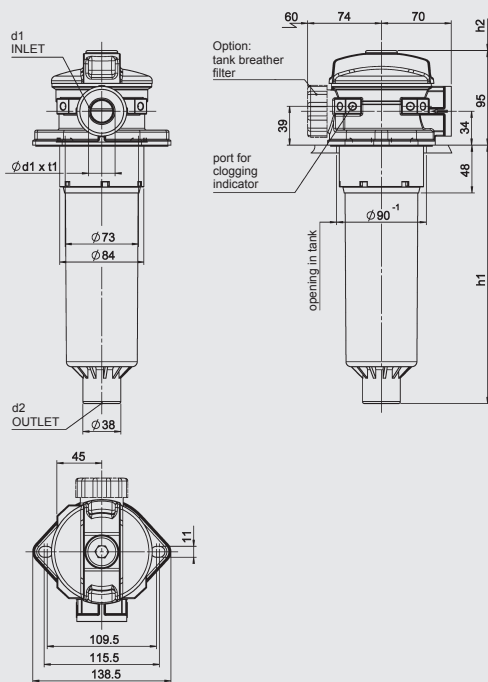
RFN	BN4HC			
	3 μm	6 μm	10 μm	25 μm
40	14.2	7.8	4.8	2.6
63	9.5	5.2	3.4	1.8
100	6.8	3.3	2.3	1.2
160	3.6	1.8	1.2	0.5
250	2.8	1.4	0.9	0.4
400	2.2	1.6	1.3	1.0
630	2.1	1.6	1.3	0.9

4. DIMENSIONS

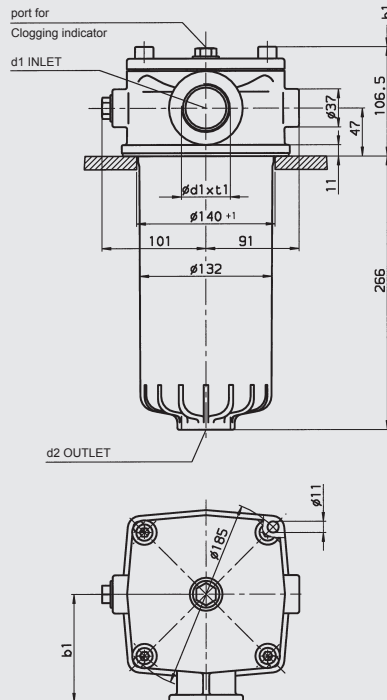
Tank requirements

1. In the filter contact area, the tank flange should have a maximum flatness of 0.3 mm and RA 3.2 µm maximum roughness.
2. In addition, the contact area should be free of damage and scratches.
3. The fixing holes of the tank flange must be blind, or stud bolts with threadlocker must be used to fix the filter. As an alternative, the tank flange can be continuously welded from the inside.
4. Both the tank sheet metal and/or the filter mounting flange must be sufficiently robust so that neither deform when the seal is compressed during tightening.
5. When using a dipstick through a mounting screw, threadlock the screw into the thread, using Loctite 243, for example, or a similar threadlocker.

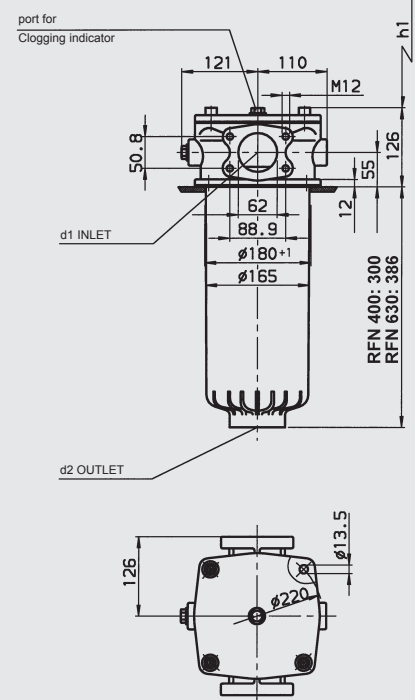
RFN 40, 63, 100



RFN 160, 250



RFN 400, 630



Flange interface / opening in tank to DIN 24550

RFN	d1 Inlet	d2 Outlet	b1	h1	h2	t1 ⁺²	Weight including element [kg]	Volume of pressure chamber [l]
40	G ½	32	70	122	150	14	1.0	0.6
40	G ¾	32	70	122	150	16	1.0	0.6
40	G ¾	32	70	122	150	16	1.0	0.6
63	G ½	32	70	206	200	14	1.2	0.9
63	G ¾	32	70	206	200	16	1.2	0.9
63	G 1	32	70	206	200	18	1.2	0.9
100	G ½	32	70	260	290	14	1.3	1.0
100	G ¾	32	70	260	290	16	1.3	1.0
100	G 1	32	70	260	290	18	1.3	1.0
160	G 1¼	G 1½	142	210	-	20	4.6	3.5
160	G 1¼	G 1½	105	210	-	22	4.6	3.5
250	G 1¼	G 1½	142	300	-	20	6.0	3.5
250	G 1¼	G 1½	105	300	-	22	6.0	3.5
400	DN 64	G 2½	-	270	-	-	9.3	8.0
630	DN 64	G 2½	-	420	-	-	10.0	8.0

NOTE

The information in this brochure relates to the operating conditions and applications described.
For applications or operating conditions not described, please contact the relevant technical department.
Subject to technical modifications.

HYDAC Filtrertechnik GmbH
Industriegebiet
D-66280 Sulzbach/Saar
Tel.: 0 68 97 / 509-01
Fax: 0 68 97 / 509-300
Internet: www.hydac.com
E-Mail: filter@hydac.com