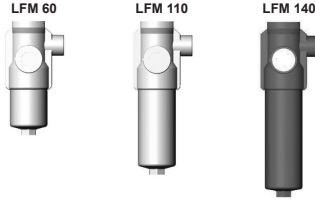




## Inline Filter LFM with Differential Pressure Relief Valve

up to 120 l/min, up to 63 bar



### 1. TECHNICAL SPECIFICATIONS

#### 1.1 FILTER HOUSING

##### Construction

The filter housings are designed in accordance with international regulations. They consist of a filter head and a screw-in filter bowl.

Standard equipment:

- differential pressure controlled relief valve
- connection for a clogging indicator

#### 1.2 FILTER ELEMENTS

HYDAC filter elements are validated and their quality is constantly monitored according to the following standards:

- ISO 2941
- ISO 2942
- ISO 2943
- ISO 3724
- ISO 3968
- ISO 11170
- ISO 16889

Filter elements are available with the following pressure stability values:  
Optmicron® (ON): 20 bar

#### 1.3 FILTER SPECIFICATIONS

Nominal pressure	63 bar
Fatigue strength	At nominal pressure 10 <sup>6</sup> cycles from 0 to nominal pressure
Temperature range	-30 °C to +100 °C (LFM 140: -30 °C to -10 °C: p <sub>max</sub> =31.5 bar)
Material of filter head	Aluminium
Material of filter bowl	Aluminium (steel for LFM 140)
Type of clogging indicator	VM (differential pressure measurement up to 210 bar operating pressure)
Pressure setting of the clogging indicator	2 bar (others on request)
Bypass cracking pressure	3.5 bar (others on request)

#### 1.4 SEALS

NBR (=Perbunan)

#### 1.5 INSTALLATION

Inline filter

#### 1.6 SPECIAL MODELS AND ACCESSORIES

With pressure release / oil drain plug (SO184)

#### 1.7 SPARE PARTS

See Original Spare Parts List

#### 1.8 CERTIFICATES AND APPROVALS

On request

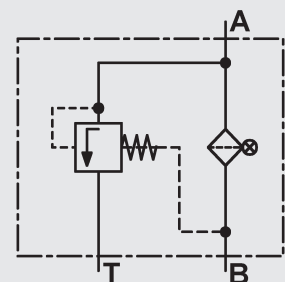
#### 1.9 COMPATIBILITY WITH HYDRAULIC FLUIDS ISO 2943

- Hydraulic oils H to HLPD DIN 51524
- Lubrication oils DIN 51517, API, ACEA, DIN 51515, ISO 6743
- Compressor oils DIN 51506
- Biodegradable operating fluids VDMA 24568 HETG, HEES, HEPG
- Fire-resistant fluids HFA, HFB, HFC and HFD
- Operating fluids with high water content (>50% water content) on request

#### 1.10 MAINTENANCE INSTRUCTIONS

- Filter housings must be earthed.
- When using electrical clogging indicators, the electrical power supply to the system must be switched off before removing the clogging indicator connector.

#### Symbol for hydraulic systems



## 2. MODEL CODE (also order example)

LFM ON 110 F C 10 D 1 . X /-L24

### 2.1 COMPLETE FILTER

#### Filter type

LFM

#### Filter material

ON Optimicron®

#### Size of filter or element

LFM: 60, 110, 140

#### Operating pressure

F = 63 bar

#### Type and size of connection

Type	Port	Filter size		
		60	110	140
C	G 3/4	●	●	●

#### Filtration rating in µm

ON: 1, 3, 5, 10, 15, 20

#### Type of clogging indicator

- Y plastic blanking plug in indicator port
  - A stainless steel blanking plug in indicator port
  - B visual
  - C electrical
  - D visual and electrical
- for other clogging indicators, see brochure no. 7.050../..

#### Type code

1

#### Modification number

X the latest version is always supplied

#### Supplementary details

DBV5.5 opening pressure of pressure relief valve 5.5 bar

L... light with appropriate voltage (24, 48, 110, 220 Volt)

LED 2 light-emitting diodes up to 24 Volt

SO184 pressure release/oil drain screw

V FPM seals

] only for clogging indicators type "D"

### 2.2 REPLACEMENT ELEMENT

0110 D 010 ON /-V

#### Size

0060, 0110, 0140

#### Type

D

#### Filtration rating in µm

ON: 001, 003, 005, 010, 015, 020

#### Filter material

ON

#### Supplementary details

V (for descriptions, see Point 2.1)

### 2.3 REPLACEMENT CLOGGING INDICATOR

VM 2 D . X /-L24

#### Type of indicator

VM differential pressure indicator up to 210 bar operating pressure

#### Pressure setting

2 standard 2 bar, others on request

#### Type of clogging indicator

D (see Point 2.1)

#### Modification number

X the latest version is always supplied

#### Supplementary details

L..., LED, V (for descriptions, see Point 2.1)

### 3. FILTER CALCULATION / SIZING

The total pressure drop of a filter at a certain flow rate Q is the sum of the housing  $\Delta p$  and the element  $\Delta p$  and is calculated as follows:

$$\Delta p_{\text{total}} = \Delta p_{\text{housing}} + \Delta p_{\text{element}}$$

$$\Delta p_{\text{housing}} = (\text{see Point 3.1})$$

$$\Delta p_{\text{element}} = Q \cdot \frac{SK^*}{1000} \cdot \frac{\text{viscosity}}{30}$$

(\*see Point 3.2)

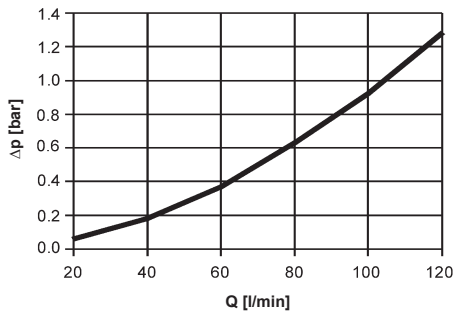
For ease of calculation, our Filter Sizing Program is available on request free of charge.

**NEW:** Sizing online at [www.hydac.com](http://www.hydac.com)

#### 3.1 $\Delta p$ -Q HOUSING CURVES BASED ON ISO 3968

The housing curves apply to mineral oil with a density of 0.86 kg/dm<sup>3</sup> and a kinematic viscosity of 30 mm<sup>2</sup>/s. In this case, the differential pressure changes proportionally to the density.

##### LFM 60/110/140



### 3.2 GRADIENT COEFFICIENTS (SK) FOR FILTER ELEMENTS

The gradient coefficients in mbar/(l/min) apply to mineral oils with a kinematic viscosity of 30 mm<sup>2</sup>/s. The pressure drop changes proportionally to the change in viscosity.

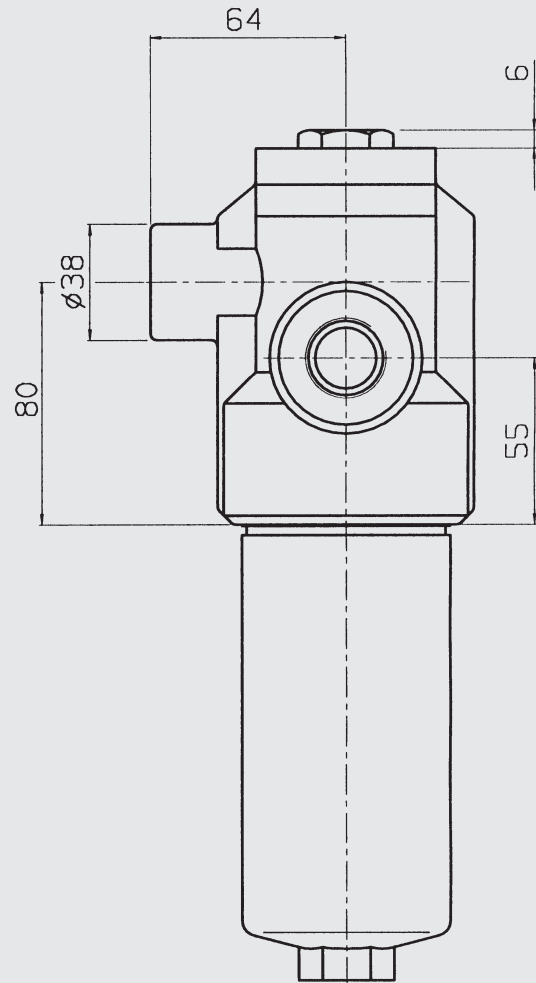
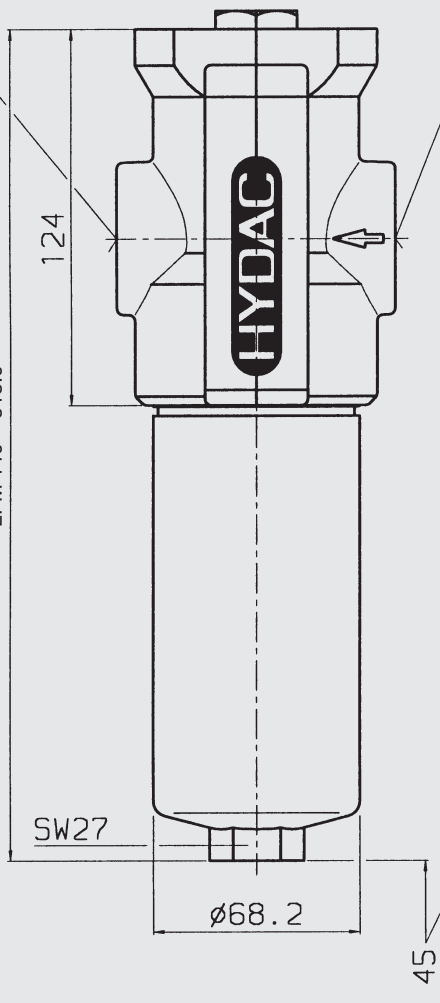
LFM	ON					
	1 μm	3 μm	5 μm	10 μm	15 μm	20 μm
60	53.5	26.0	18.3	12.1	9.78	6.32
110	25.8	13.4	9.61	6.06	4.63	2.99
140	19.9	11.5	7.39	4.38	3.54	2.29

## 4. DIMENSIONS

outlet  
G 3/4 x 16 deep

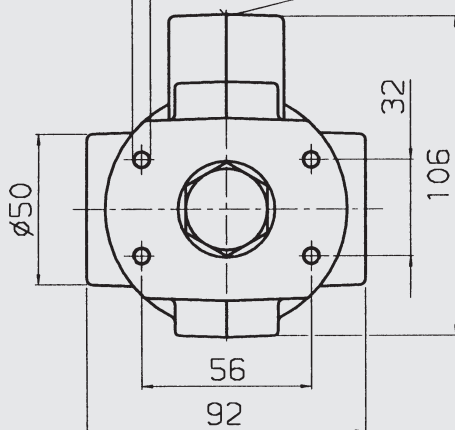
inlet  
G 3/4 x 16 deep

LFM 60 = 206.5  
LFM 110 = 274.5  
LFM 140 = 318.0



M6 x 9 deep

tank connection  
M18 x 1.5 x 12 deep



LFM	Weight incl. element [kg]	Vol. of pressure chamber [l]
60	1.9	0.20
110	2.3	0.33
140	4.5	0.40

### NOTE

The information in this brochure relates to the operating conditions and applications described.

For applications or operating conditions not described, please contact the relevant technical department.

Subject to technical modifications.

### HYDAC Filtrertechnik GmbH

Industriegebiet  
D-66280 Sulzbach/Saar

Tel.: 0 68 97 / 509-01

Fax: 0 68 97 / 509-300

Internet: [www.hydac.com](http://www.hydac.com)

E-Mail: [filter@hydac.com](mailto:filter@hydac.com)