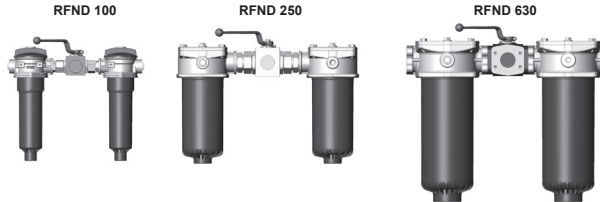




## Tank-Top Return Line Filter RFND Change-Over Version to DIN 24550 up to 480 l/min, up to 10 bar



### 1. TECHNICAL SPECIFICATIONS

#### 1.1 FILTER HOUSING

##### Construction

The filter housings are designed in accordance with international regulations. They consist of a filter head, filter bowl and a screw-on or bolt-on cover plate.

Standard equipment:

- bypass valve
- connection for a clogging indicator

#### 1.2 FILTER ELEMENTS

HYDAC filter elements are validated and their quality is constantly monitored according to the following standards:

- ISO 2941
- ISO 2942
- ISO 2943
- ISO 3724
- ISO 3968
- ISO 11170
- ISO 16889

Filter elements are available with the following pressure stability values:  
Betamicon® (BN4HC): 20 bar

#### 1.3 FILTER SPECIFICATIONS

Nominal pressure	10 bar
Temperature range	-10 °C to +100 °C
Material of filter head	Aluminium
Material of filter bowl	Polyamide
Material of cover plate	Polyamide (RFN 100) Aluminium (RFN 250 and 630)
Type of clogging indicator	VRConnection thread G 1/2 VMF Connection thread G 1/8
Pressure setting of the clogging indicator	2.5 bar (others on request)
Bypass cracking pressure	3.5 bar (others on request)

#### 1.4 SEALS

NBR (=Perbunan)

#### 1.5 INSTALLATION

Tank-top filter

#### 1.6 SPECIAL MODELS AND ACCESSORIES

On request

#### 1.7 SPARE PARTS

See Original Spare Parts List

#### 1.8 CERTIFICATES AND APPROVALS

on request

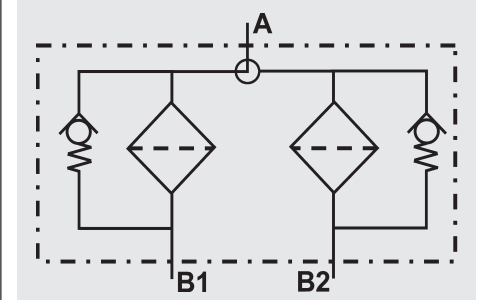
#### 1.9 COMPATIBILITY WITH HYDRAULIC FLUIDS ISO 2943

- Hydraulic oils H to HLPD DIN 51524
- Lubrication oils DIN 51517, API, ACEA, DIN 51515, ISO 6743
- Compressor oils DIN 51506
- Biodegradable operating fluids VDMA 24568 HETG, HEES, HEPG
- Fire-resistant fluids HFA, HFB, HFC and HFD
- Operating fluids with high water content (>50% water content) on request

#### 1.10 MAINTENANCE INSTRUCTIONS

- Filter housings must be earthed.
- When using electrical clogging indicators, the electrical power supply to the system must be switched off before removing the clogging indicator connector.

#### Symbol for hydraulic systems



## 2. MODEL CODE (also order example)

RFND BN/HC 250 B A E 10 D 1 . X /-L24

### 2.1 COMPLETE FILTER

#### Filter type

RFND

#### Filter material of element

BN/HC Betamicron® (BN4HC)

#### Size of filter or element

RFND: 100, 250, 630

#### Operating pressure

B = 10 bar

V = 7 bar (for RFND with clogging indicator up to max. 7 bar operating pressure)

#### Type of change-over

A = Ball

#### Type and size of connection

Type	Port	Filter size		
		100	250	630
C	G 3/4	●		
E	G1 1/4		●	
L	SAE DN 50			●

#### Filtration rating in µm

BN/HC: 3, 6, 10, 25

#### Type of clogging indicator

Y plastic blanking plug in indicator port

A steel blanking plug in indicator port

B visual

C electrical

D visual and electrical

LZ visual-mechanical / electrical

for other clogging indicators,  
see brochure no. 7.050../..

#### Type code

1

#### Modification number

X the latest version is always supplied

#### Supplementary details

L... light with appropriate voltage (24V, 48V, 110V, 220V)

LED 2 light emitting diodes up to 24 Volt

AV LZ indicator with plug to AUDI and VW specification

BO LZ indicator with plug and pin connection to BMW and Opel specification (M12x1)

CN LZ indicator with plug to DIN 43651 with 3 LEDs (CNOMO specification)

DB LZ indicator with plug to DIN 43651 with 3 LEDs (Daimler-Benz specification)

D4C LZ indicator with plug and connector to Daimler-Chrysler specification and cold start suppression 30°C

BO-LED as for BO, but with diode strip

GM LZ indicator with "no element" indicator

30C LZ indicator with temperature limiter (only in conjunction with type DB)

V FPM seals

only for clogging  
indicators type D

### 2.2 REPLACEMENT ELEMENT

0250 RN 010 BN4HC /-V

#### Size

0100, 0250, 0630

#### Type

RN

#### Filtration rating in µm

BN4HC: 003, 006, 010, 025

#### Filter material

BN4HC

#### Supplementary details

V (for descriptions, see Point 2.1)

### 2.3 REPLACEMENT CLOGGING INDICATOR

VR 2.5 D . X /-L24

#### Type of clogging indicator

VR connection thread G 1/2

VMF connection thread G 1/8

#### Pressure setting

2.5 standard 2.5 bar, others on request

#### Type of clogging indicator

D (see Point 2.1)

#### Modification number

X the latest version is always supplied

#### Supplementary details

V for all VR indicators

for all VMF indicators only for types B, LE, LZ and C /-EX2G

(all other VMF indicators have FPM seals as standard)

L..., LED, (for descriptions, see point 2.1.)

### 3. FILTER CALCULATION / SIZING

The total pressure drop of a filter at a certain flow rate Q is the sum of the housing  $\Delta p$  and the element  $\Delta p$  and is calculated as follows:

$$\Delta p_{\text{total}} = \Delta p_{\text{housing}} + \Delta p_{\text{element}}$$

$$\Delta p_{\text{housing}} = (\text{see Point 3.1})$$

$$\Delta p_{\text{element}} = Q \cdot \frac{SK^*}{1000} \cdot \frac{\text{viscosity}}{30}$$

(\*see Point 3.2)

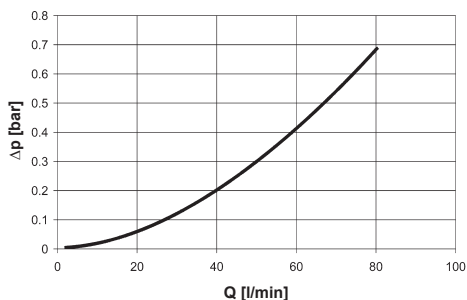
For ease of calculation, our Filter Sizing Program is available on request free of charge.

**NEW:** Sizing online at [www.hydac.com](http://www.hydac.com)

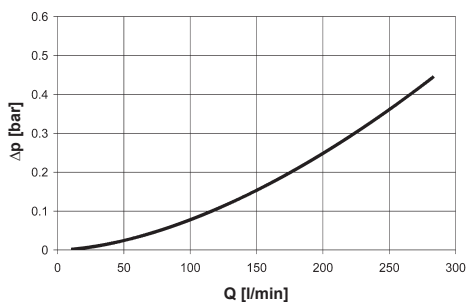
#### 3.1 $\Delta p$ -Q HOUSING CURVES BASED ON ISO 3968

The housing curves apply to mineral oil with a density of 0.86 kg/dm<sup>3</sup> and a kinematic viscosity of 30 mm<sup>2</sup>/s. In this case, the differential pressure changes proportionally to the density.

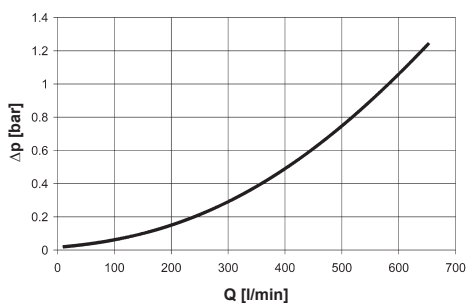
##### RFND 100



##### RFND 250



##### RFND 630



### 3.2 GRADIENT COEFFICIENTS (SK) FOR FILTER ELEMENTS

The gradient coefficients in mbar/(l/min) apply to mineral oils with a kinematic viscosity of 30 mm<sup>2</sup>/s. The pressure drop changes proportionally to the change in viscosity.

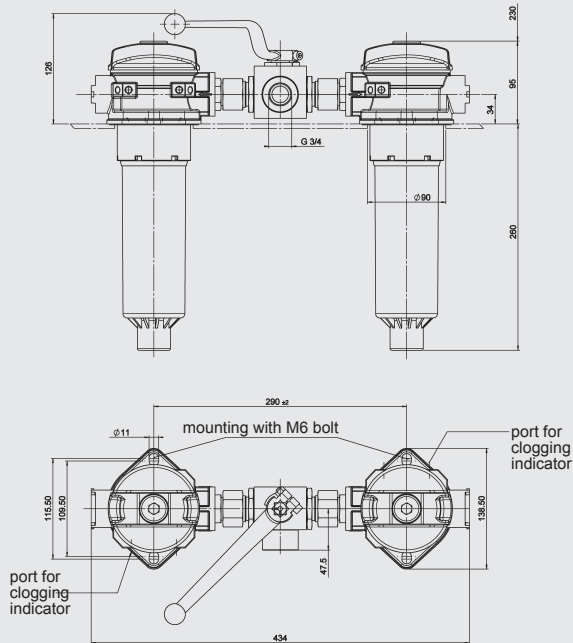
RFND	BN4HC			
	3 μm	6 μm	10 μm	25 μm
100	6.8	3.3	2.3	1.2
250	2.8	1.4	0.9	0.4
630	2.1	1.2	0.9	0.7

## 4. DIMENSIONS

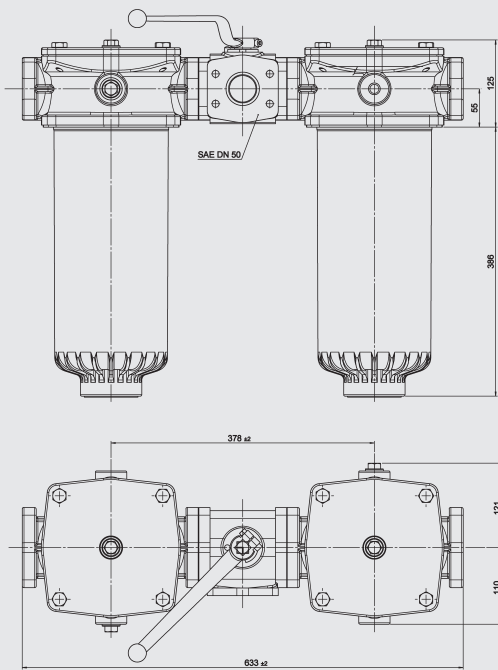
### Tank requirements

1. In the filter contact area, the tank flange should have a maximum flatness of 0.3 mm and RA 3.2  $\mu\text{m}$  maximum roughness.
2. In addition, the contact area should be free of damage and scratches.
3. The fixing holes of the tank flange must be blind, or stud bolts with threadlocker must be used to fix the filter.  
As an alternative, the tank flange can be continuously welded from the inside.
4. Both the tank sheet metal and/or the filter mounting flange must be sufficiently robust so that neither deform when the seal is compressed during tightening.

RFND 100

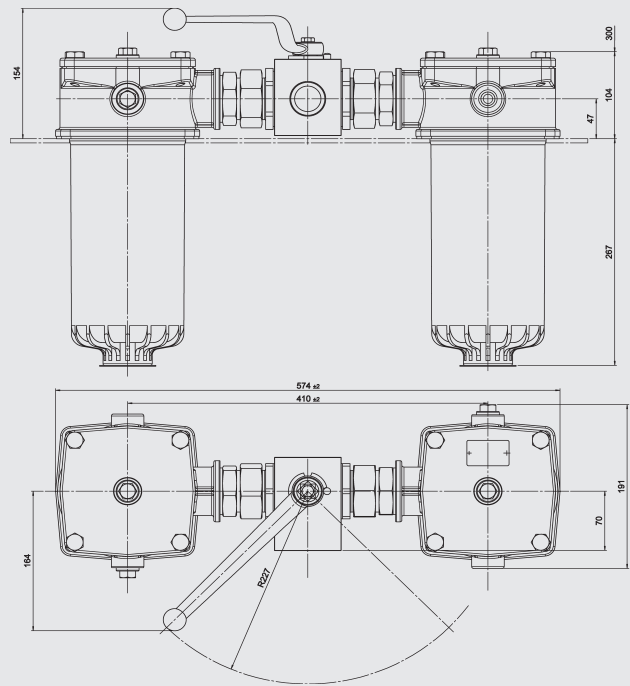


RFND 630



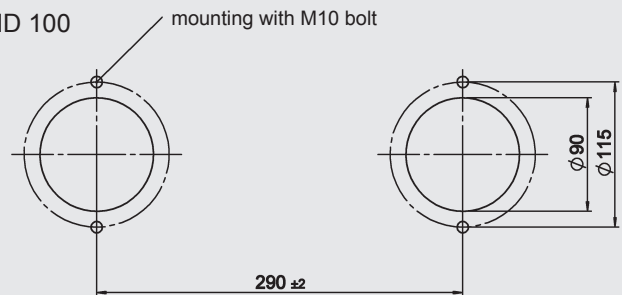
RFND	Weight incl. element [kg]	Vol. of pressure chamber [l]
100	5.4	2 x 1.00
250	13.0	2 x 3.50
630	23.0	2 x 8.00

RFND 250

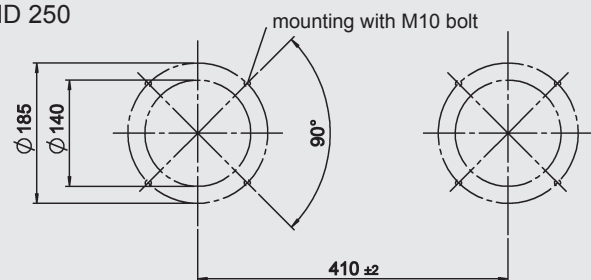


### Flange interface / opening in tank to DIN 24550

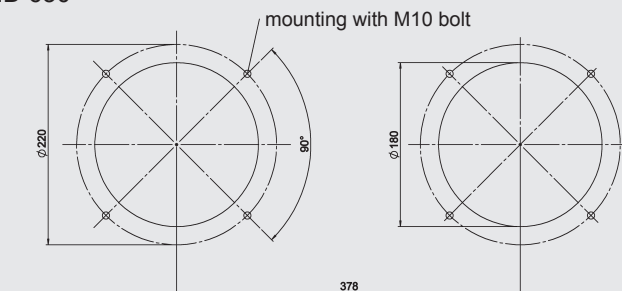
RFND 100



RFND 250



RFND 630



### NOTE

The information in this brochure relates to the operating conditions and applications described.  
For applications or operating conditions not described, please contact the relevant technical department.  
Subject to technical modifications.

**HYDAC Filtrertechnik GmbH**  
Industriegebiet  
**D-66280 Sulzbach/Saar**  
Tel.: 0 68 97 / 509-01  
Fax: 0 68 97 / 509-300  
Internet: [www.hydac.com](http://www.hydac.com)  
E-Mail: [filter@hydac.com](mailto:filter@hydac.com)