



Contamination Test Module – Supply & Control CTM-SC

Description

The Contamination Test Module CTM is a modular system for inspecting components with reference to their technical cleanliness. The solid contamination is thereby dedusted from the component surface through wet sampling and conveyed per diaphragm to a later evaluation.

The Contamination Test Module CTM-SC is the central module in the CTM series. It is used to supply media and to control the entire extraction processes and it includes the graphic user prompting.

Applications

- Automotive and supplier industry
- Gearbox and engine builders
- Mobile hydraulics
- Manufacture of hydraulic and lubrication system components
- Aircraft industry

Advantages

- Cost reductions through lower production waste
- Detection and elimination of weak points
- Reduction of zero-km breakdowns
- Internal and external process optimisation
- Documentation of technical cleanliness of components

Special features

- Reversible pulsation of the test fluid
- Filling and emptying connection
- Controlling and monitoring CTM-E modules
- Automatic pressure setting using software
- User-programmable extraction procedure

Technical specifications

General data	
Dimensions (Height x Width x Depth)	1.80 m x 0.90 m x 0.80 m
Housing material	S235JR powder coated
Coupling connection	CPC coupling
Ambient temperature	15 to 28°C
Weight	≈ 250 kg (empty)
Test liquid reservoir	2 x 20 litres (1x reservoir, 1x collection tank)
Reservoir switch-over	Automatic
Filtration of analysis fluid	Fine filtration to ISO4406 min. 12/9
Filter size	2x MRF-1-E/1, 1 µm
Built-in drip tray	25 litres with drain
Compressed air connection	Nipple DN 7.2
Compressed air supply (provided by customer)	6.5 to 7.0 bar, Air flow rate: 60 l/min. Dry and pre-filtered to 5 µm
Emission sound pressure level L _{PA}	< 70 db(A)
Electrical data	
Supply voltage	According to order
Power consumption	600 watts
Protection class to DIN 40050	IP 54

Model code

CTM SC 100 0 - M

Type

CTM = Contamination Test Module

Module

SC = Supply & Control

Series

100 = Standard

Analysis fluid

- 0 = solvent A III class
(flash point > 60 °C, lower explosion limit > 0.6 vol.%)
- 1 = water with surfactants,
permitted pH values 6 to 10, no desalinated water

Supply voltage

- K = 120 V AC / 60 Hz / 1 phase USA/Canada
- M = 230 V AC / 50 Hz / 1 phase Europe
- N = 240 V AC / 50 Hz / 1 phase UK
- O = 240 V AC / 50 Hz / 1 phase Australia
- P = 100 V AC / 50 Hz / 1 phase Japan
- AE = 110 V AC / 60 Hz / 1 phase

Items supplied

- CTM-SC
- incl. monitor and monitor bracket
- PC with Windows operating system
- LPC
- keyboard with touchpad
- foot switch
- ConteS software
- Operating and maintenance manual

NOTE

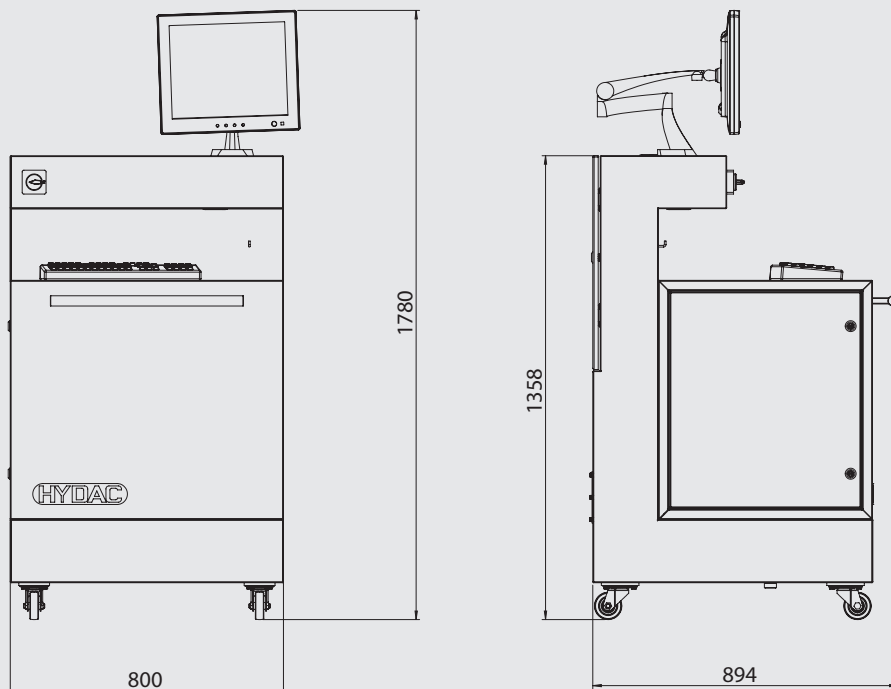
The information in this brochure relates to the operating conditions and applications described.

For applications and operating conditions not described, please contact the relevant technical department.

Subject to technical modifications.

Instrument dimensions

(All dimensions in mm)



HYDAC FILTER SYSTEMS GMBH

Industriegebiet

D-66280 Sulzbach / Saar

Tel.: +49 (0) 6897/509-01

Fax: +49 (0) 6897/509-9046

Internet: www.hydac.com

E-mail: filtersystems@hydac.com