



Small Filtration Kit SFK

Description

The Small Filtration Kit SFK is a small filter unit complete with motor-pump unit for the filtration of mineral oil-based fluids.

With a flow rate of 0.4 l/min and an inline filter size LF60, the SFK is designed for use in conjunction with particle counters in laboratories and workshops.

Mineral oils used as rinsing fluids for particle counters such as the ALPC or the FCU from HYDAC can be cleaned using the SFK.

Applications

- Laboratories
- Workshops

Advantages

- Complete kit incl. a 3 µm filter element and Tygothane hoses
- Plug & work
- Flow rate in suitable range

Technical Details

Max. suction height	1 m
Flow rate	0.4 l/min at 1,500 rpm (4.3 mm ² /s, 10 bar)
Permitted viscosity range	1 to 350 mm ² /s
Hydraulic connection (IN, OUT)	Hose nipple
Seal material	NBR
Fluid temperature range	0 to +70 °C / +32 to +158 °F
Ambient temperature range	-20 to +70 °C / -4 to +158 °F
Storage temperature range	-40 to +80 °C / -40 to +176 °F
Relative humidity	Max. 95%, non-condensing
Voltage supply	Depends on model code
Power consumption	180 W for type M
Weight	7.5 kg

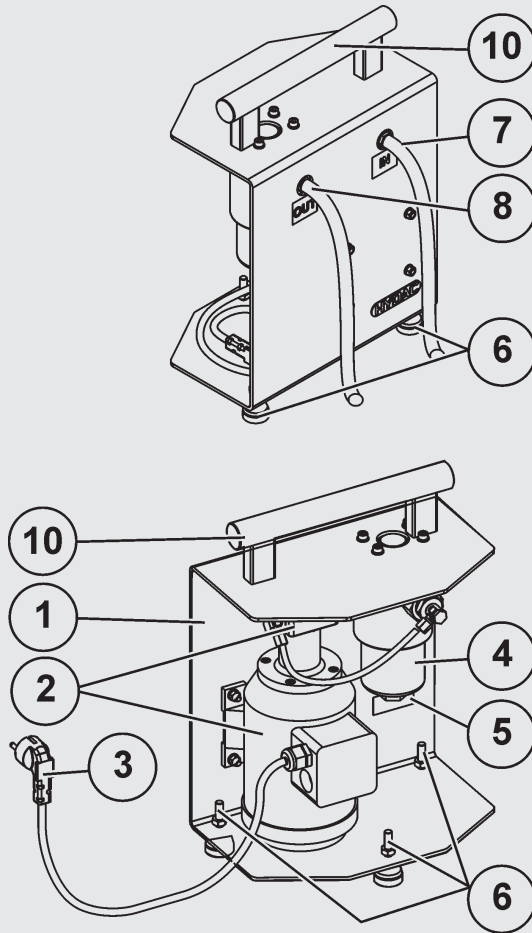
Spare parts

Spare part part no.	Code
3494773	Replacement Tygothane hose 1m incl. connection clamp
1260901	Filter element 3 µm (0060 D 003 BN4HC)

Model code

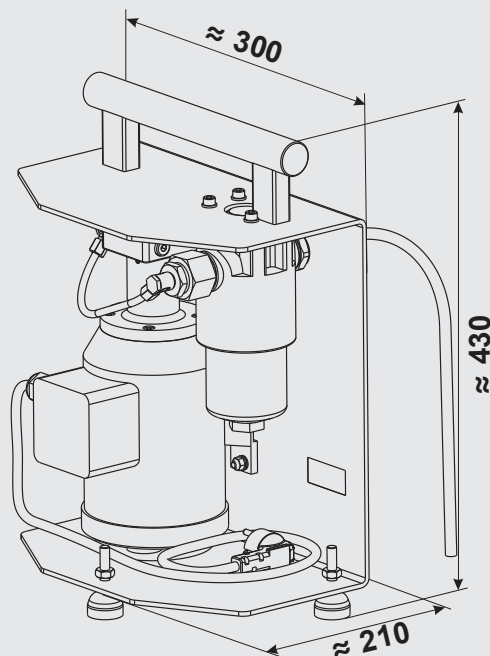
	SFK 0 M
Type SFK = Small Filtration Kit	
Media O = based on mineral oil	
Supply voltage K = 110 V / 60 Hz M = 230 V / 50 Hz	

Components



Item	Designation
1	Housing
2	Electric motor with pump unit
3	Power plug
4	Filter housing
5	Name plate
6	Rubber foot (adjustable, reduces vibration)
7	IN inlet, hose $\varnothing 9.4 \times \varnothing 6.4$ mm; Length: 1 m
8	OUT outlet, hose $\varnothing 9.4 \times \varnothing 6.4$ mm; Length: 1 m
10	Carrying handle

Dimensions



Note

The information in this general brochure relates to the operating conditions and applications described. For applications and operating conditions not described, please contact the relevant technical department. All technical details are subject to change.

HYDAC FILTER SYSTEMS GMBH
Industriegebiet
D-66280 Sulzbach / Saar, Germany
Tel.: +49 (0) 6897/509-01
Fax: +49 (0) 6897/509-9046
Internet: www.hydac.com
E-mail: filtersystems@hydac.com