



ConditionSensor Interface CSI-B-7

Description

The ConditionSensor interface module is used to transmit digital sensor signals (Hydac Sensor Interface HSI) into a network protocol (HSI TCP/IP). On the CSI-B-7 you can connect up to two sensors via the screw terminals and supply them with power. Parameterize the desired IP address and subnet mask once via the 5 pin male connection M12x1. The network connection is made using a commercially available network cable (patch) with an RJ45 connector. The interface module has been developed for top hat rail installation in control cabinets.

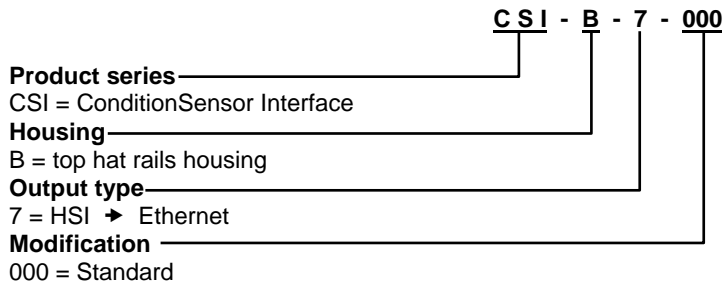
Special features

- 2 input channels for HYDAC sensors
- Direct connection of the sensors via screw terminals
- Network connection via RJ45 socket
- Very compact design
- Suitable for installation on top hat rails
- Protection class IP 40

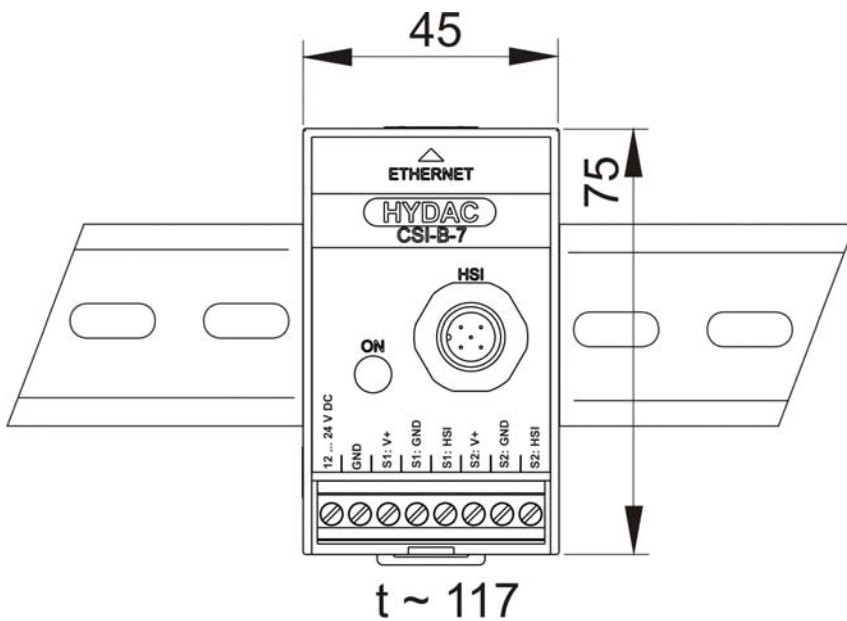
Technical Data

| Input data | |
|-------------------------------|---|
| HSI interface | HYDAC Sensor Interface for digital coupling of sensors - screw terminals |
| Outputs | |
| Ethernet | Protocol: HSI TCP/IP 10 Base-T / 100 Base-Tx |
| Ambient Conditions | |
| Operating temperature range | -25 ... +85 °C |
| Storage temperature range | -30 ... +85°C |
| Relative humidity | 0 ... 70%, non-condensing |
| CE - mark | EN 61000-6-2, EN 61000-6-4 |
| Protection class to DIN 40050 | IP 40 |
| Other specifications | |
| Supply voltage | 12 ... 24 V DC ± 10% |
| Current consumption (module) | 50 mA (including the respectively connected sensor) |
| Sensor feed | 12 ... 24 V DC (looped through) |
| Electrical connection | - Plug-in terminal block 8 pole, RM 5 cross section max. 2.5 mm ² - Ethernet RJ45 |
| Parameterization | Via male connection M12x1, 5 pin, according to DIN VDE 0627 |
| Dimensions | 45 x 75 x 117 mm |
| Housing | Mounting of the housing on a carrier rail (35 mm) in accordance with DIN EN 60715 TH 35 (previously DIN EN 50022) |
| Weight | ~ 350 g |

Model code:



Dimensions:



All dimensions in mm.

Terminal Assignment:

| Pin | Signal | Description |
|-----|----------------|-----------------------------|
| 1 | 12 ... 24 V DC | CSI-B-7 + Supply voltage |
| 2 | GND | CSI-B-7 GND supply voltage |
| 3 | S1 + | Sensor 1 + Supply voltage |
| 4 | S1 GND | Sensor 1 GND supply voltage |
| 5 | S1 HSI | Sensor 1 HSI signal |
| 6 | S2 + | Sensor 2 + Supply voltage |
| 7 | S2 GND | Sensor 2 GND supply voltage |
| 8 | S2 HSI | Sensor 2 HSI signal |

Note:

The information in this brochure relates to the operating conditions and applications described.

For applications and operating conditions not described, please contact the relevant technical department concerned. All technical details are subject to change.

HYDAC FILTER SYSTEMS GMBH

Industriestraße
 66280 SULZBACH / SAAR
 Germany

Telephone: +49 (0)6897 / 509-01
 Fax: +49 (0)6897 / 509-846

Internet: www.hydac.com
 Email: filtersystems@hydac.com