



## OFX

### Description

The filtration unit OFX serves as a portable service unit for filling and draining hydraulic systems. Due to the maximum permitted operating pressure of 45 bar, also supply circuits of hydrostatic transmission drives and work hydraulics in a closed circuit can be filled and vented.

The handy design and light weight make it ideal for service calls on mobile machines (e.g. construction, agricultural and forestry machinery, municipal vehicles).

Existing contamination and air pockets, for example after repairs, can be specifically removed before commissioning in a very short time.

### Applications

- Filtered filling of preloaded hydraulic systems
- Flushing and bleeding of hydraulic systems
- Filtered oil change during maintenance
- Refilling after repairs to the hydrostat

### Advantages

- High pressure stability for filling preloaded systems
- Prevention of air entering hydrostatic systems
- Simple operation
- Compact design
- Handy design

### Technical data

#### General data

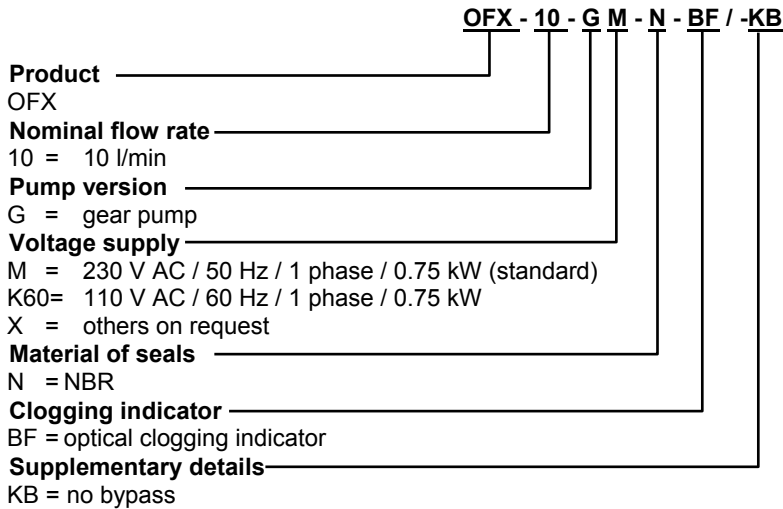
|   |   |
|---|---|
| Flow rate                                     | Maximum 10 l/min  |
| Pump type                                     | Gear pump   |
| Operating pressure                            | Maximum 45 bar  |
| Permissible suction pressure at suction port. | -0,4 ... 0,5 bar  |
| Permissible viscosity range                   | 15 ... 250 mm <sup>2</sup> /s   |
| Material of seals                             | NBR   |
| Suction hose (with lance)                     | Nominal size 20<br>Length = 2.3m  |
| Pressure hose                                 | Nominal size 15<br>Length = 3 m<br>Union nut with female thread M22×1.5 (L15) |
| Ambient temperature                           | 10 ... 40 °C  |
| Permitted fluid temperature range             | 10 ... 40 °C  |
| Empty weight                                  | ~ 21 kg   |

#### Electrical data

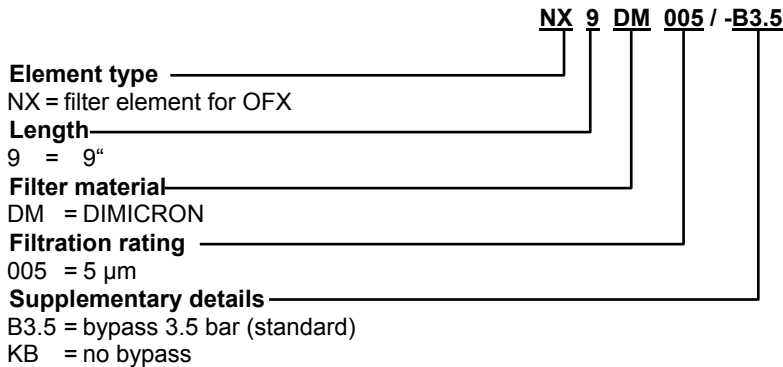
|                               |                                       |
|-------------------------------|---------------------------------------|
| Supply voltage                | 110 ... 230 V AC (according to order) |
| Power consumption             | 0.75 kW                               |
| Protection class to DIN 40050 | IP 54                                 |

# HYDAC INTERNATIONAL

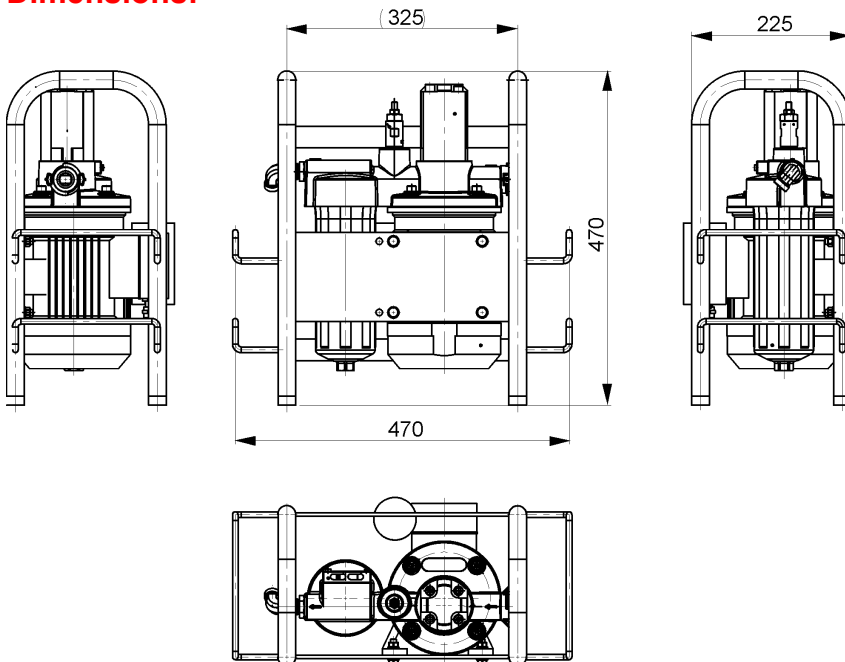
## Order details OFX:



## Order details for filter element:

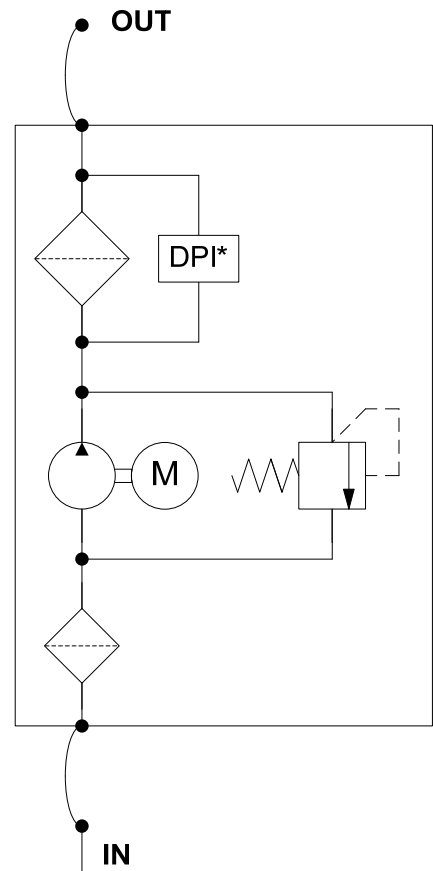


## Dimensions:



(All dimensions in mm)

## Hydraulic circuit:



IN = INLET  
 OUT = OUTLET  
 DPI = Clogging indicator

## Scope of delivery:

- OFX (without filter element)
- Operating and maintenance instructions

## Note:

The information in this brochure relates to the operating conditions and applications described. In the event of deviating applications and/or operating conditions, please contact the respective HYDAC department concerned. Subject to technical modifications.

## HYDAC FILTER SYSTEMS GMBH

Industriestraße  
 D-66280 Sulzbach / Saar

Telephone: +49 (0)6897 / 509-01  
 Fax: +49 (0)6897 / 509-846

Internet: [www.hydac.com](http://www.hydac.com)  
 E-mail: [filtersystems@hydac.com](mailto:filtersystems@hydac.com)