



Description

The IXU series of easy-maintenance ion exchange units is designed to condition fire-resistant hydraulic and lubrication fluids based on phosphate esters (HFD-R) and polyol esters (HFD-U).

They effectively remove the acidic decomposition products arising from hydrolysis and/or oxidation of the fluid.

The units are used offline with flow rates of up to ≈ 2 l/min on hydraulic and lubrication oil tanks. Mobile and stationary IXU are available.

The IXU uses HYDAC Ion eXchange Elements (IXE) filled with ion exchange resin.

Special features

- Effective removal of acids and metal soaps.
- No extractable metals or particles, as in the case of fuller's earth or active aluminum oxide
- Units are easy to service.
- Available to Service as as complete unit, modular system for retrofitting existing bypass circuits or for OEM.
- We additionally recommend continuous dewatering, for example using a FluidAqua Mobil - FAM.

Advantages

- Reduction of function problems, e.g. on servo valves
- Extended service life of the operating fluid
- Increased machine and system availability

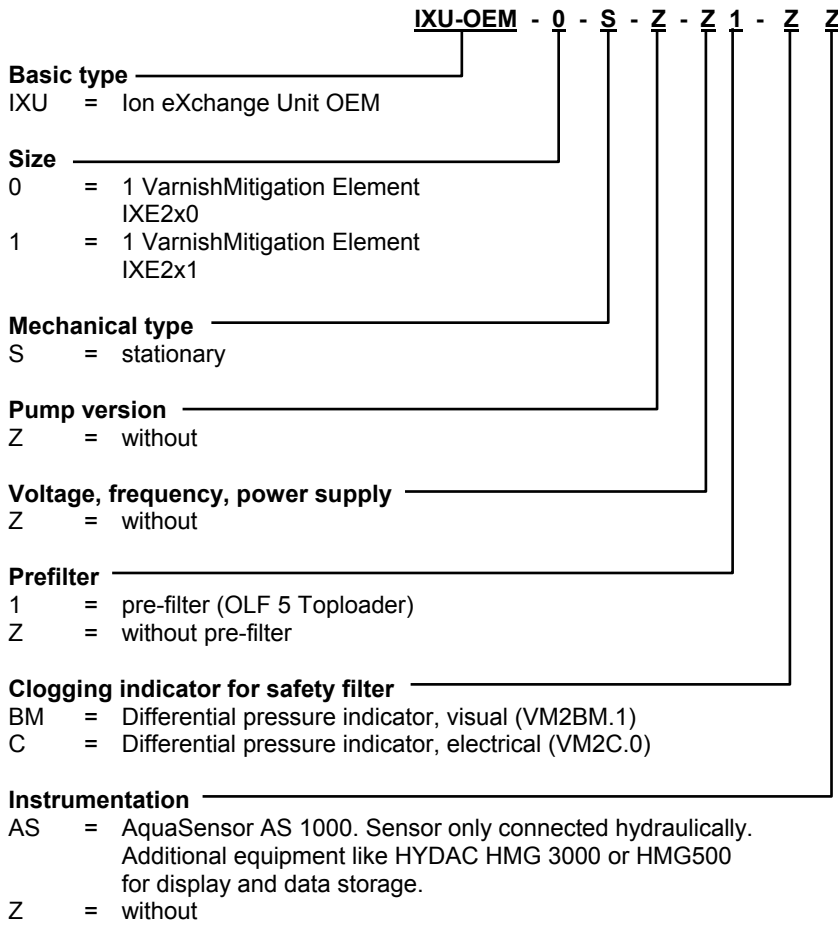
Ion eXchange Unit - OEM IXU - OEM

Technical details

Hydraulic data	
Neutralization number achievable	< 0.1 mg KOH / g
Typically, possible to use up to	max. TAN 1 mg KOH/g Öl with HFD-R max. TAN 7 mg KOH/g Öl with HFD-U
Flow rate	1 ... 2 l/min
Permitted fluid temperature range	30 to 60 °C / 86 to 140 °F
Operating pressure max.	3 ... 6 bar / 43 ... 87 psi
Viscosity range	15 ... 80 mm ² /s / 15 ... 80 cSt
Permitted operating fluids	HFD-R Fire-resistant hydraulic fluids based on phosphate ester HFD-U Fire-resistant hydraulic fluids based on polyol ester basis
Connections IN / OUT	18L / M26x1.5
Pump type	without
Ambient conditions	
Permitted operating temperature range	0 to 40 °C / 32 to 104 °F
Permitted storage temperature range	0 ... 60 °C / 32 ... 140 °F
Relative humidity	0 ... 80%, non-condensing
General data*	
Sealing material	FKM
Empty weight	≈ 46 kg

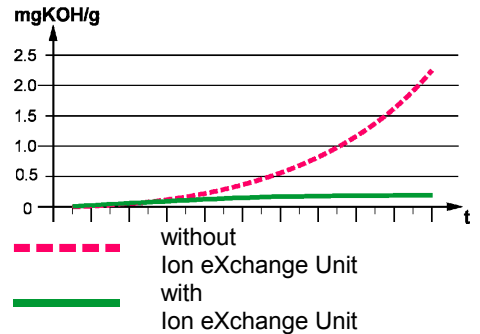
* others on request

Model code:



Diagram

Example of acidification in HFD fluids with and without Ion eXchange Unit



Scope of Delivery

- IXU with protective filter and additional equipment as per model code
- Operating Instruction

Order the Ion eXchange elements IXE and the filter element for the protection filter separately.

Ion eXchange elements IXE and filter elements

Ion eXchange Elements

IXE 20x:
removes acids and metal soaps

IXE21x:
removes metal soaps

IXE 22x:
removes acids.

Filter elements for protective filter

N5DM005 (5µm)
Part no. 3068101

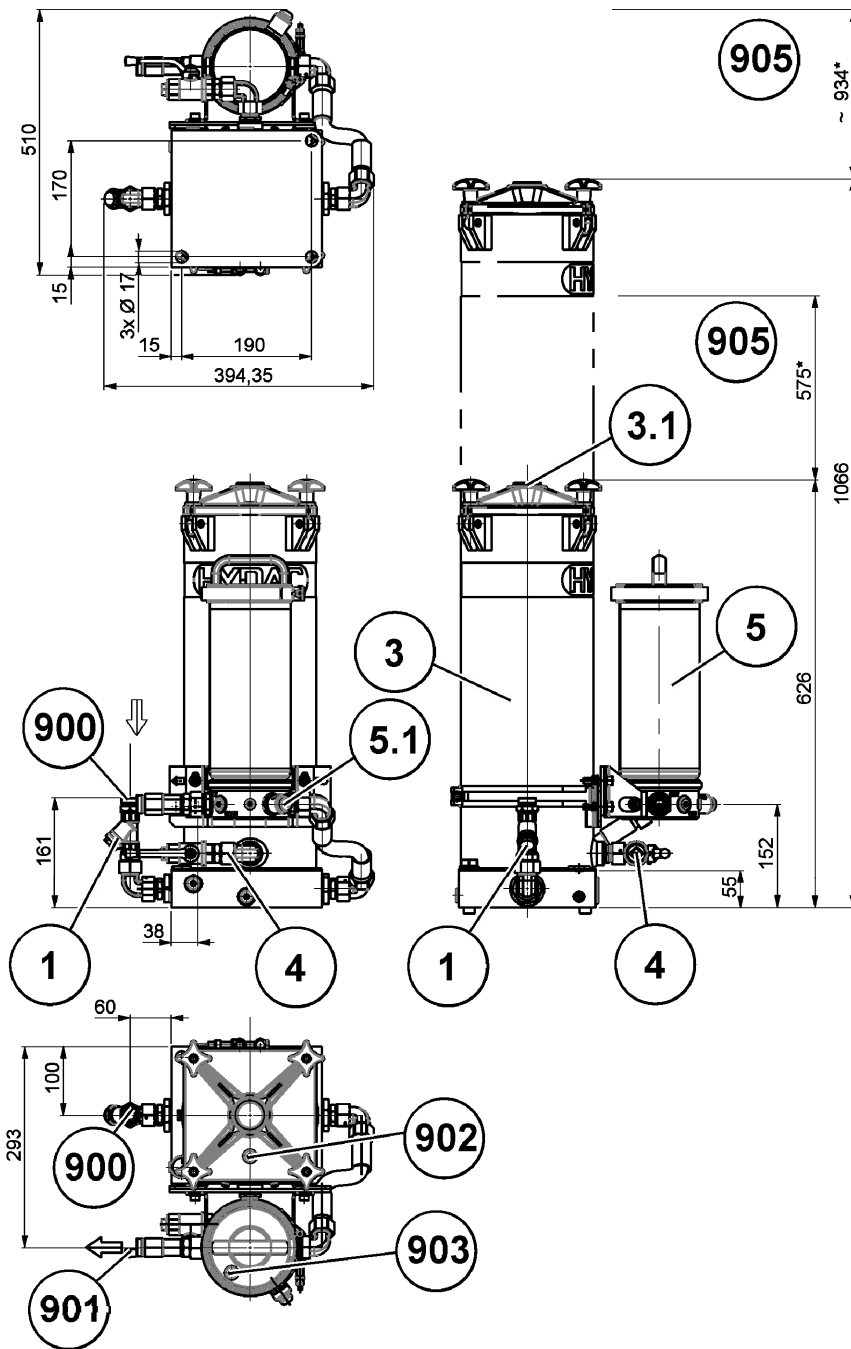
N5DM010 (10µm)
Part no. 3102924

Example of required order quantity:

IXU-OEM - 0 - S - Z - Z - 1 - Z - Z
 1x IXE2xx element
 1 x N5DM005 (for Safety filter)
 1 x N5DM005 (for pre-filter)

HYDAC INTERNATIONAL

Dimensions IXU-OEM-1-...

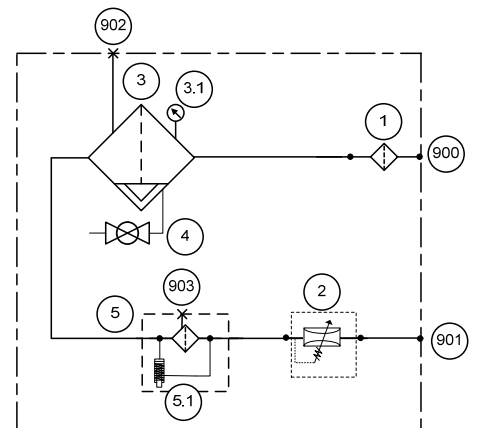


All dimensions in mm.

Legend

Item	Designation
1	Dirt trap
2	Flow restrictor
3	Ion eXchange column
3.1	Pressure gauge, visual
4	Drain (DRAIN)
5	Safety filter
5.1	Clogging indicator, visual / electrical
900	Inlet (IN)
901	Outlet (OUT)
902	Bleeding (BLEED)
903	Bleeding (BLEED)
905	Required room to change the element

Hydraulic diagram



Note:

The information in this brochure relates to the operating conditions and applications described.

In the event of deviating applications and/or operating conditions, please contact the respective HYDAC department concerned. Subject to technical modifications.

HYDAC FILTER SYSTEMS GMBH

Industriestrasse
66280 Sulzbach / Saar - Germany
Telephone: +49 (0)6897 / 509 - 01
Fax: +49 (0)6897 / 509-9046
Internet: www.hydac.com
E-mail: filtersystems@hydac.com