



Contamination Test Module – Extraction Flushing CTM-EF 3xxx

Description

The Contamination Test Module CTM is a modular system for inspecting components with reference to their technical cleanliness. The solid particle contamination is thereby dedusted from the component surface through wet sampling and conveyed per diaphragm to a later evaluation.

The CTM-EF 3xxx extraction module is used for flushing in conjunction with the CTM-SC 3xxx.

Fields of application

- Automotive and supplier industry
- Gearbox and engine builders
- Mobile hydraulics
- Manufacture of hydraulic and lubrication system components
- Aircraft industry

Advantages

- Cost reductions through lower production waste
- Detection and elimination of weak points
- Reduction of failures before delivery
- Internal and external process optimisation
- Customised documentation of the technical cleanliness of components

Technical data

General data	
Ambient temperature	15 to 28 °C
Filter membrane holder	for Ø 47 filter membranes
Weight when empty	≈ 110 kg
Dimensions (height x width x depth)	1.60 x 0.60 x 0.60 m
Self-cleaning	with an integrated orifice
Fill level monitoring	Ultrasonic sensor
Reservoir filling volume	Up to 60 litres
Reservoir material	Polished stainless steel 1.4301
Housing material	S235JR powder-coated
Hydraulic connection	Screw connection acc. to ISO8434-1-BHS-L12-1.4571
Built-in collecting pan	36 litres with drain
Compressed air supply	≥ 6 bar
Electrical data	
Supply voltage	Acc. to model code
Power consumption	50 W
Protection class to DIN 40050	IP 54

Blank values

All data is dependent on the ambient conditions

Environment	CTM-EF 34xx	CTM-EF 36xx
Clean room	0.2 mg	0.3 mg
Laboratory	0.2 mg	0.3 mg
Separate sampling room	0.2 mg	0.3 mg
Factory building	0.2 mg	0.3 mg

CTM-EF 34xx / CTM-EF 36xx

Max. particle size (metallic) [µm]	Time required	Cleaning time [h] after brief shutdown (≤ 24 h)	Cleaning time [h] after extended shutdown (> 24 h)
100	High	1 to 4	1 to 4
150	Medium	1 to 2	1 to 2
200	Low	0.5	0.5

Model code

CTM EF 3 4 1 0 - Z - Z - Z / =

Type

CTM = Contamination Test Module

Module

EF = Extraction Flushing

Series

3 = series

Reservoir filling volume

4 = 40 litres (nominal)

6 = 60 litres (nominal)

Version

1 = Includes integrated suction tool for the recovery of the test liquid after extraction from the test item.

3 = Includes integrated suction tool for the recovery of the test liquid after extraction from the test item and an integrated mechanism which changes the flow direction across the test item via connection A' (flow direction A' to R' and R' to A')

Analysis fluid

0 = G60 special (flash point > 60 °C, lower explosion limit > 0.6 vol. %)

1 = water with surfactants, permitted pH values 6–10, no deionised water + G60 special (flash point > 60 °C, lower explosion limit > 0.6 vol.%)

Supply voltage of option

K = 120 V AC / 60 Hz / 1 phase USA/Canada

M = 230 V AC / 50 Hz / 1 phase Europe

N = 240 V AC / 50 Hz / 1 phase UK

O = 240 V AC / 50 Hz / 1 phase Australia

P = 100 V AC / 50 Hz / 1 phase Japan

Z = without

Extraction method

Z = spray, medium pressure, flow rate up to 18 l/min

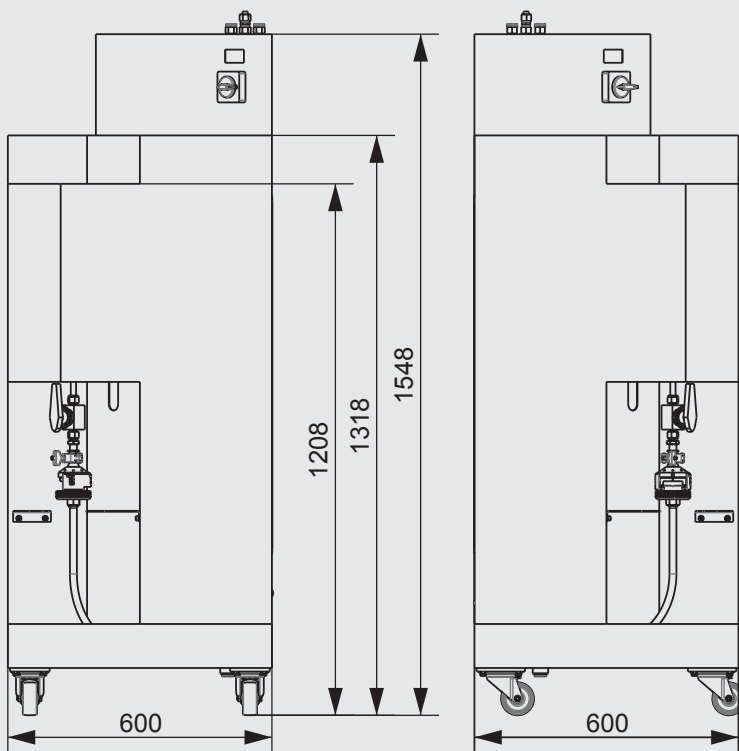
Supplementary details

Z = series

Modifications

- = without modifications

Dimensions (all dimensions in mm)



Scope of delivery

- CTM-EF 3xxx
- 3x connection hose, length 3 m
- Network cable
- Technical documentation

NOTE

The information in this brochure relates to the operating conditions and applications described.

For applications or operating conditions not described, please contact the relevant technical department.

Subject to technical modifications.

HYDAC FILTER SYSTEMS GMBH

Industriegebiet

D-66280 Sulzbach / Saar

Tel.: +49 (0) 6897/509-01

Fax: +49 (0) 6897/509-9046

Internet: www.hydac.com

E-mail: filtersystems@hydac.com

