



## FluidCleaner Mobil FCM series

### Description

The FluidCleaner Mobil FCM is a mobile oil servicing and care unit and is used for offline filtration during the filling of plants and when hydraulic and lubrication media are being repumped.

With the FCM, HYDAC is offering a flexible and dependable service device for fluid care and servicing which considerably increases the lifetime of operating media, components and thus entire plants and thereby reduces operating costs.

### Applications

- Hydraulic and lubrication systems in different industries (for example, machine tools, plastic injection moulding machines, paper mills, construction machinery, steel industry, marine & offshore, mobile industry)

### Advantages

- Avoidance of cost-intensive component damage and system downtimes
- Safe and convenient handling
- Increased oil service lifetimes
- Reduction of life cycle costs

### Technical details

	Vane pump version	Gear pump version
Max. flow rate	FCM 60 = 60 l/min FCM 100 = 100 l/min (others on request)	
Operating pressure	$p_{max} = 6 \text{ bar}$	$p_{max} = 10 \text{ bar}$
Viscosity range	15 to 400 mm <sup>2</sup> /s	15 to 1000 mm <sup>2</sup> /s
Permitted operating fluid	Mineral oil (DIN 51424)	
Fluid temperature	-10 to 80°C	
Ambient temperature	-10 to 40°C	
Seals	NBR (option: FKM (FPM/Viton®))	
IP class	IP 55	
Power cable, length	10 m	
Connections: Suction hose Pressure hose	NW 38 (1 1/2") NW 25 (M 36x2) (others on request)	
Length of hoses: Suction hose Pressure hose	2.5 m 4.0 m (others on request)	
Weight when empty	FCM 60 ≈ 135 kg FCM 100 ≈ 145 kg	

## Model code

**FCM 100 L N 3 B 03 C/ S5D5-V**

### Filtration unit

FluidCleaner Mobil

### Flow rate

060 = 60 l/min

100 = 100 l/min

(others on request)

### Pump versions

L = vane pump without change-over (standard)

F = vane pump with change-over

K = gear pump without change-over

G = gear pump with change-over

### Supply voltage

M\* = 230 V / 50 Hz (1 Ph + PE)

N = 400 V / 50 Hz (3 Ph + N + PE)

S = 500 V / 50 Hz (3 Ph + PE)

X = other voltages

### Filter size

2 = filter size 1300

3 = filter size 2600

see next page

### Filter material

B = Betamicon (BN4HC)

A = Aquamicon (BN4AM), (AM)

### Filtration rating

03 = 3 µm BN4HC, BN4AM

05 = 5 µm BN4HC

10 = 10 µm BN4HC

20 = 20 µm BN4HC

40 = 40 µm AM

### Clogging indicator

B = visual differential pressure indicator (Standard)

C = special model - differential pressure indicator electrical (VM2C.0) with automatic motor cut-out when filter is contaminated

### Supplementary details

No specification = series

S5 = suction hose 5 m with lance

D5 = pressure hose 5 m with lance

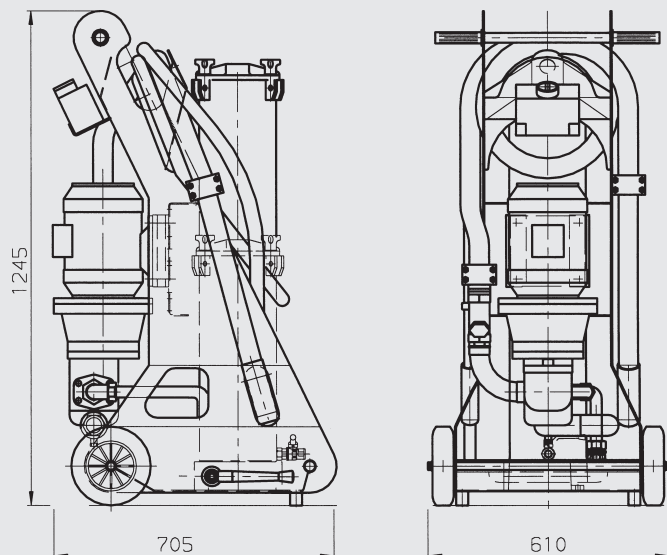
V = FKM (FPM/Viton®) seal

SK = suction hose with threaded connection

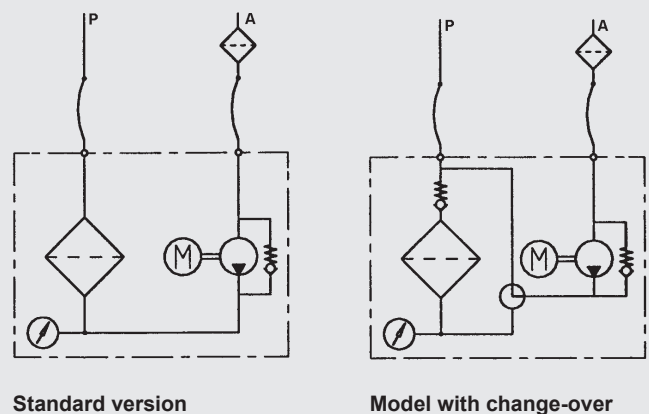
DK = pressure hose with threaded connection

\* = only for version FCM 60 (1.5 kW)

## Dimensions

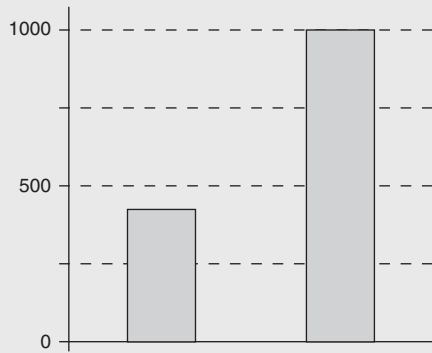


## Hydraulic circuit diagram

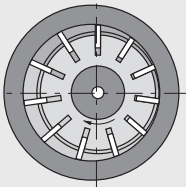


## Versions

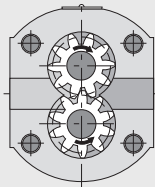
Viscosity [mm<sup>2</sup>/s]



Vane pump  
(standard)



Gear pump



## Replacement elements

Filter size	Filtration rating	Element type	Part no.
2	3 µm	1300 R 003 BN4HC/-KB (-V-KB)	1263059 (1263760)
2	5 µm	1300 R 005 BN4HC/-KB (-V-KB)	1263060 (1263761)
2	10 µm	1300 R 010 BN4HC/-KB (-V-KB)	1263061 (1263762)
2	20 µm	1300 R 020 BN4HC/-KB (-V-KB)	1263062 (1263763)
2	40 µm	1300 R 040 AM/-KB	1267699
2	10 µm	1300 R 010 BN4AM/-KB (-V-KB)	1270010 (1276060)
2	3 µm	1300 R 003 BN4AM/-KB (-V-KB)	1267991 (1271839)
3	3 µm	2600 R 003 BN4HC/-KB (-V-KB)	1263071 (1263784)
3	5 µm	2600 R 005 BN4HC/-KB (-V-KB)	1263072 (1263785)
3	10 µm	2600 R 010 BN4HC/-KB (-V-KB)	1263073 (1263786)
3	20 µm	2600 R 020 BN4HC/-KB (-V-KB)	1263074 (1263787)
3	40 µm	2600 R 040 AM/-KB	306899
3	3 µm	2600 R 003 BN4AM/-KB (-V-KB)	1268232 (1275329)
3	10 µm	2600 R 010 BN4AM/-KB	1276840

## Selection table for motor-pump unit

Design	FCM 60	FCM 100
Vane pump	1.5 kW	2.2 kW
Gear pump	2.2 kW	3.0 kW

**NOTE**

The information in this brochure relates to the operating conditions and applications described.

For applications and operating conditions not described, please contact the relevant technical department.

Subject to technical modifications.

**HYDAC FILTER SYSTEMS GMBH**  
Industriegebiet  
**D-66280 Sulzbach / Saar**  
Tel.: +49 (0) 6897/509-01  
Fax: +49 (0) 6897/509-9046  
Internet: [www.hydac.com](http://www.hydac.com)  
E-mail: [filtersystems@hydac.com](mailto:filtersystems@hydac.com)