



Filtromat OF 5

Description

The stationary fluid conditioning unit OF 5 is designed to fill/filter hydraulic and lubrication tanks and to filter offline. A change-over valve on the unit allows the operator to bypass the filter when emptying the tank (optional).

Applications

- Hydraulic and lubrication oil systems in a variety of industries

Advantages

- Convenient filtration in bypass flow
- Simple handling
- Increased oil and component service lifetimes
- Reduction of life cycle costs LCC

Technical details

Max. flow rate	30 l/min, 40 l/min
Operating pressure	4.5 bar max.
Viscosity range	15 to 800 mm ² /s (version-dependent)
Permitted operating fluid	Mineral oil (others on request)
Permissible suction pressure at suction port	-0.4 bar to 0.6 bar
Fluid temperature	-10 to 80°C
Ambient temperature	-10 to 40°C
Seals	NBR (option: FPM)
IP class	IP 54
Weight (empty)	≈ 46 kg

Model code

OF5 S 10 P 6 N 1 B 05 E

Basic type

OF5

Versions

S = Stationary with change-over valve

N = Offline unit: stationary without change-over valve

Type code

10 = Standard

Special models on request

Seals

P = NBR (Perbunan)

V = FPM (Viton)

Motor-pump unit

Meas. ref. Theor. output at 1450 rpm

3 30 l/min

6 40 l/min

Max. viscosity

250 mm²/s

800 mm²/s

El. motor rating at 50 Hz

0.75 kW

1.5 kW

Electric motor voltage

M = 1 x 230 V - 50 Hz

N = 3 x 380-420 V - 50 Hz; 3 x 440-480 V - 60 Hz

S = 3 x 500-600 V - 50 (60) Hz

X = special voltage

Filter size

1 = Element 330

2 = Element 1300

3 = Element 2600

Filter material

B = Betamicron (BN4HC)

A = Aquamicron (BN/AM), (AM)

Filtration rating

03 = 3 µm BN4HC; BN/AM

05 = 5 µm BN4HC

10 = 10 µm BN4HC;BN/AM

20 = 20 µm BN4HC

40 = 40 µm AM

Clogging indicator

E = Standard, back-pressure indicator

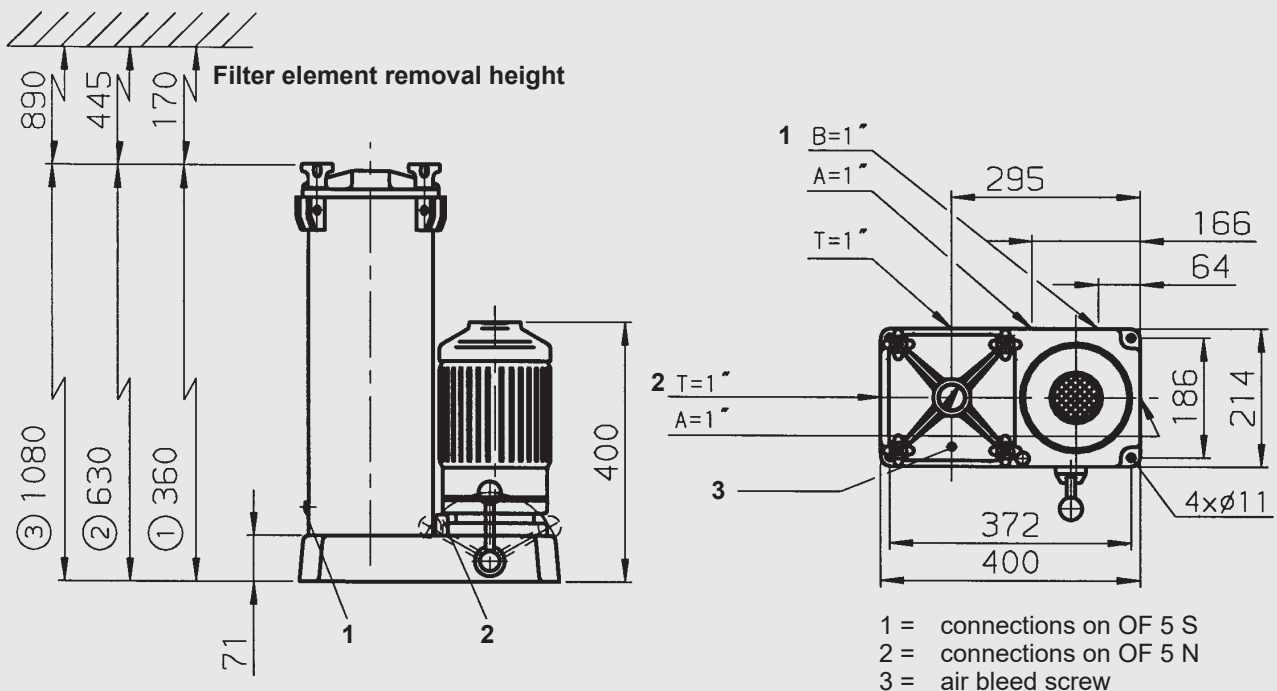
B = Option: differential pressure gauge - visual

C = Option: differential pressure gauge - electrical

D = Option: differential pressure gauge - visual/electrical

B, C and D not for version "N"

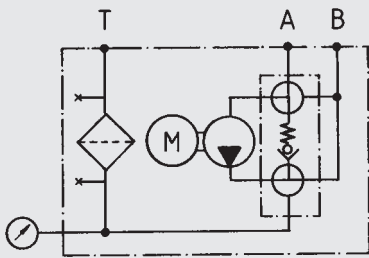
Dimensions



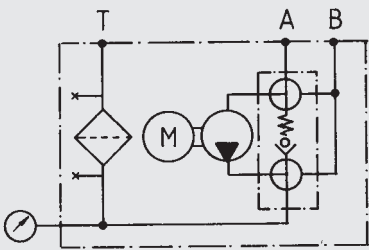
Hydraulic circuit diagram

OF5 S

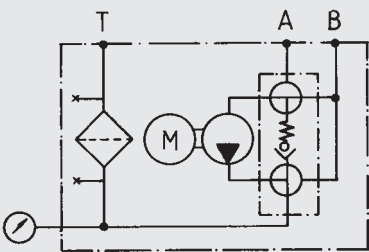
I Emptying tank, filter is bypassed A → B



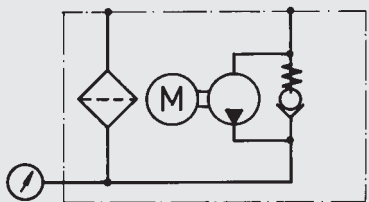
II Filtering offline A → T



III Filling via filter B → T



OF5 N



Replacement elements

Filter size	Filtration rating	Element type	Part no.
1	3 µm	0330 R 003 BN4HC/-KB (-V-KB)	1262999 (1263640)
1	5 µm	0330 R 005 BN4HC/-KB (-V-KB)	1263000 (1263641)
1	10 µm	0330 R 010 BN4HC/-KB (-V-KB)	1263001 (1263642)
1	20 µm	0330 R 020 BN4HC/-KB (-V-KB)	1263002 (1263643)
1	40 µm	0330 R 040 AM/-KB (-V-KB)	1272067 (1266563)
1	3 µm	0330 R 003 BN/AM/-KB (-V-KB)	1272069 (1276690)
1	10 µm	0330 R 010 BN/AM/-KB	1272068
2	3 µm	1300 R 003 BN4HC/-KB (-V-KB)	1263059 (1263760)
2	5 µm	1300 R 005 BN4HC/-KB (-V-KB)	1263060 (1263761)
2	10 µm	1300 R 010 BN4HC/-KB (-V-KB)	1263061 (1263762)
2	20 µm	1300 R 020 BN4HC/-KB (-V-KB)	1263062 (1263763)
2	40 µm	1300 R 040 AM/-KB	1267699
2	3 µm	1300 R 003 BN/AM/-KB	1267991
2	10 µm	1300 R 010 BN/AM/-KB (-V-KB)	1270010 (1276060)
3	3 µm	2600 R 003 BN4HC/-KB (-V-KB)	1263071 (1263784)
3	5 µm	2600 R 005 BN4HC/-KB (-V-KB)	1263072 (1263785)
3	10 µm	2600 R 010 BN4HC/-KB (-V-KB)	1263073 (1263786)
3	20 µm	2600 R 020 BN4HC/-KB (-V-KB)	1263074 (1263787)
3	40 µm	2600 R 040 AM/-KB	306899
3	3 µm	2600 R 003 BN/AM/-KB (-V-KB)	1268232 (1275329)
3	10 µm	2600 R 010 BN/AM/-KB	1276840

V = Viton

KB = Without bypass

Note

The information in this general brochure relates to the operating conditions and applications described.

For applications and operating conditions not described, please contact the relevant technical department.

All technical details are subject to change.

HYDAC FILTER SYSTEMS GMBH

Industriegebiet

D-66280 Sulzbach / Saar, Germany

Tel.: +49 (0) 6897/509-01

Fax: +49 (0) 6897/509-9046

Internet: www.hydac.com

E-mail: filtersystems@hydac.com