



Mobile oil transport and filtration unit

TW 5

Description

The mobile oil transport and filtration unit TW 5 is a mobile oil servicing and care unit used for the transport of oil and for filtration during the filling of plants and when repumping hydraulic and lubrication media. The device is equipped with an integrated 200 l tank.

A switch on the unit enables simple changeover between pumping operations with and without filtration (optional).

Applications

- Hydraulic and lubrication oil systems in a variety of industries

Advantages

- Safer and simpler oil transport
- Convenient filtration in bypass flow
- Simple handling
- Increased system availability
- Reduction of Life Cycle Cost LCC

Technical details

Tank size	200 l
Pump type	Vane pump
Max. flow rate	30/40 l/min
Operating pressure	4.5 bar max.
Permitted suction pressure at suction port	-0.4 bar to +0.6 bar
Viscosity range	15 to 800 mm ² /s (version-dependent)
Permitted operating fluid	Mineral oil (others on request)
Fluid temperature	-10 to 80°C
Ambient temperature	-20 to 40°C
Seals	NBR (option FPM)
IP class	IP 54
Length of power cable	10 m
Length of hoses	3 m
Hose connections	Suction hose NW 28 Pressure hose NW 25
Weight (empty)	≈ 160 kg
Accessories	Pistol grip filling nozzle Flow meter

Model code

TW5 L 10 P 6 N 2 B 05 E

Basic type

TW 5 = Mobile oil transport and filtration unit

Versions

L = Without change-over valve
F = With change-over valve

Type code

10 = Standard
Special models on request

Seals

P = NBR (Perbunan)
V = FPM (Viton)

Motor-pump unit

Meas. ref.	Theor. output at 1450 rpm	Max. viscosity	El. motor rating at 50 Hz
3	30 l/min	250 mm ² /s	0.75 kW
6	40 l/min	800 mm ² /s	1.5 kW

Electric motor voltage (others on request)

M = 1 x 230 V - 50 Hz
N = 3 x 380-420 V - 50 Hz; 3 x 440-480 V - 60 Hz
S = 3 x 500-600 V - 50 (60) Hz
X = Special voltage

Filter size

1 = Element 330
2 = Element 1300

Filter material

B = Betamicron (BN4HC)
A = Aquamicron (BN/AM), (AM)

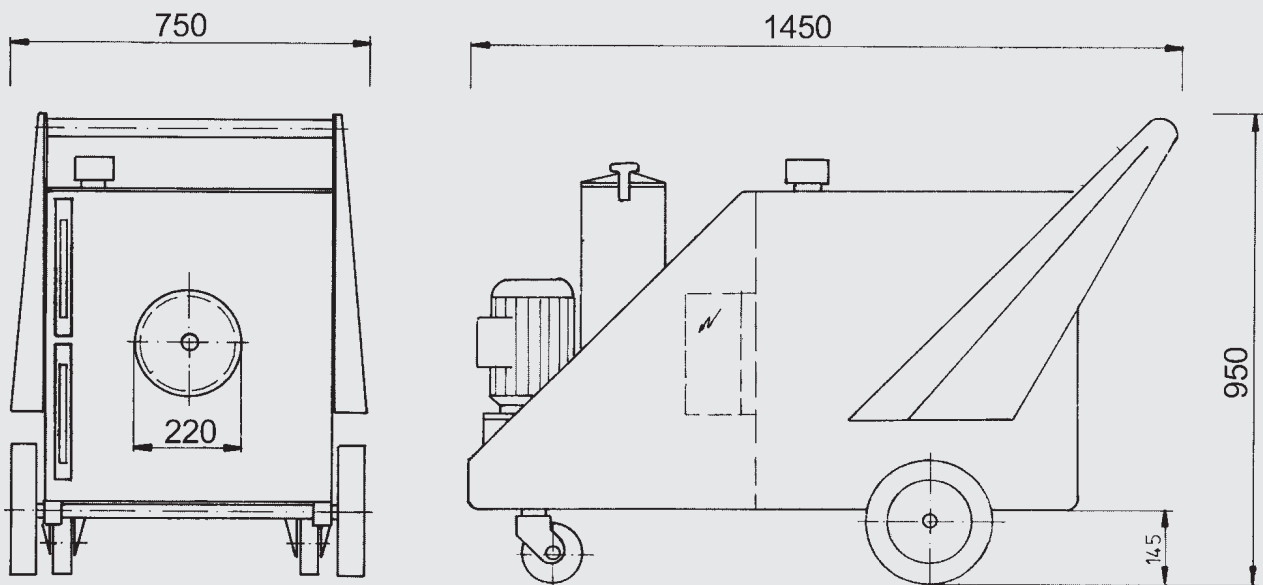
Filtration rating

03 = 3 µm BN4HC; BN/AM
05 = 5 µm BN4HC
10 = 10 µm BN4HC; BN/AM
20 = 20 µm BN4HC
40 = 40 µm AM

Clogging indicator

E = Standard, pressure gauge
B = Option: differential pressure gauge - visual
C = Option: differential pressure gauge - electrical
B and C not for version "L"

DIMENSIONS

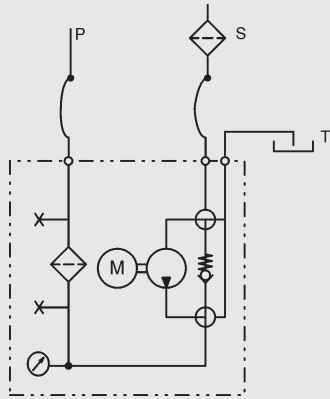


Hydraulic circuit diagram

Version F

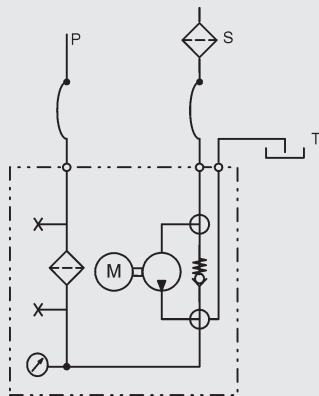
**T → P
via filter**

Transfer of filtered fluid from the TW5 tank to an external system



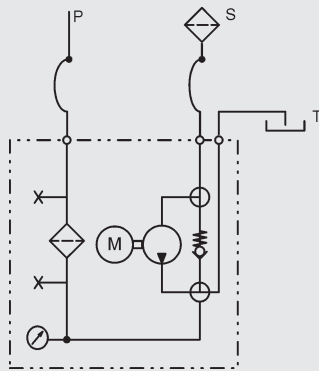
**S → P
via filter**

Transfer with filtration



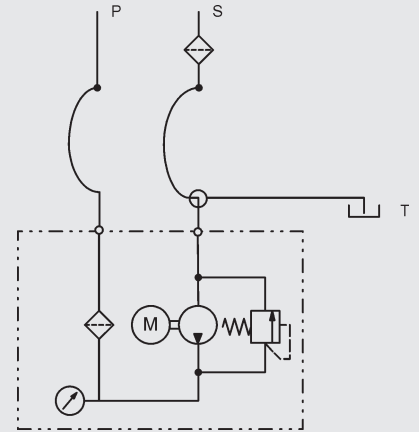
**S → T
without filtration**

Transfer to the TW5 tank from an external system

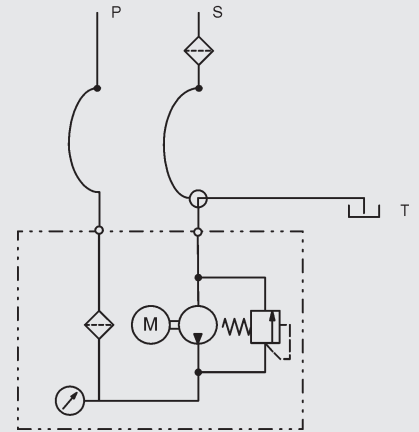


Version L

**S → P
via filter**



**T → P
via filter**



Replacement elements

Filter size	Filtration rating	Element type	Part no.
1	3 µm	0330 R 003 BN4HC/-KB (-V-KB)	1262999 (1263640)
1	5 µm	0330 R 005 BN4HC/-KB (-V-KB)	1263000 (1263641)
1	10 µm	0330 R 010 BN4HC/-KB (-V-KB)	1263001 (1263642)
1	20 µm	0330 R 020 BN4HC/-KB (-V-KB)	1263002 (1263643)
1	40 µm	0330 R 040 AM /-KB (-V-KB)	1272067 (1266563)
1	3 µm	0330 R 003 BN/AM /-KB (-V-KB)	1272069 (1276690)
1	10 µm	0330 R 010 BN/AM /-KB (-V-KB)	1272068 (1281126)
2	3 µm	1300 R 003 BN4HC-/KB (-V-KB)	1263059 (1263760)
2	5 µm	1300 R 005 BN4HC-/KB (-V-KB)	1263060 (1263761)
2	10 µm	1300 R 010 BN4HC-/KB (-V-KB)	1263061 (1263762)
2	20 µm	1300 R 020 BN4HC-/KB (-V-KB)	1263062 (1263763)
2	3 µm	1300 R 003 BN/AM /-KB (-V-KB)	1267991 (1271839)
2	10 µm	1300 R 010 BN4AM /-KB (-V-KB)	1270010 (1276060)
2	40 µm	1300 R 040 AM /-KB	1267699

Note

The information in this general brochure relates to the operating conditions and applications described.

For applications and operating conditions not described, please contact the relevant technical department.

All technical details are subject to change.

HYDAC FILTER SYSTEMS GMBH
Industriegebiet
D-66280 Sulzbach / Saar, Germany
Tel.: +49 (0) 6897/509-01
Fax: +49 (0) 6897/509-9046
Internet: www.hydac.com
E-mail: filtersystems@hydac.com