



## Filtromat OF5 mini

### Description

The stationary fluid conditioning unit OF5 mini is designed to fill/filter hydraulic and lubrication tanks and to filter offline. The change-over valve is provided to bypass the filter when emptying tanks.

### Applications

- Hydraulic and lubrication oil systems in a variety of industries
- Mobile hydraulics

### Advantages

- Convenient filtration in bypass flow
- Very compact construction
- Increased system availability
- Reduction of life cycle costs LCC

### Technical details

Max. flow rate	15 l/min
Operating pressure	4.5 bar max.
Permitted suction pressure at suction port	-0.4 bar to +0.6 bar
Pump type	Gerotor or vane pump
Viscosity range	15 to 350 mm <sup>2</sup> /s
Permitted operating fluid	Mineral oil (others on request)
Fluid temperature range	-10 to 80°C
Ambient temperature range	-20 to 40°C
Protection class	IP 55
Weight when empty	≈ 20 kg
<b>El. motor rating</b>	
Gerotor pump	0.37 kW @ 50 Hz
Vane pump	0.2 kW @ 50 Hz

## Model code

OF5 M 20 V 1 M 2 N5DM002 E - /-

### Basic type

OF5

### Version

M = Stationary with change-over valve

### Type code

20 = Standard with gerotor pump

30 = DC drive with vane pump

Special versions on request

### Seals

V = FKM (FPM, Viton®)

### Motor-pump unit

Meas. ref. Theor. flow rate at 1450 rpm

1 15 l/min (at 40 mm<sup>2</sup>/s)

others on request

### Voltage

L = 115 V - 1 Ph

M = 230 V - 1 Ph\*

N = 400 V - 3 Ph\*

T = 12V DC (only with vane pump)

U = 24V DC (only with vane pump)

X = other voltages on request

M60 = operation at 60Hz

\* Standard in Europe according to CENELEC HD472 S1 at 50 Hz

### Filter size

2 = 1 x filter element N5

### Filter element

N 5 DM 002 = DIMICRON® 2 µm absolute

N 5 DM 005 = DIMICRON® 5 µm absolute

N 5 DM 010 = DIMICRON® 10 µm absolute

N 5 DM 020 = DIMICRON® 20 µm absolute

N 5 AM 001 = AQUAMICRON® 1 µm absolute

N 5 AM 002 = AQUAMICRON® 2 µm absolute

N 5 AM 020 = AQUAMICRON® 20 µm absolute

### Clogging indicator

E = Standard, back-pressure indicator

### Supplementary details

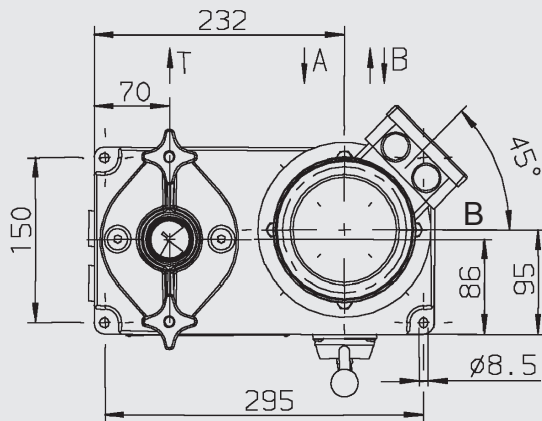
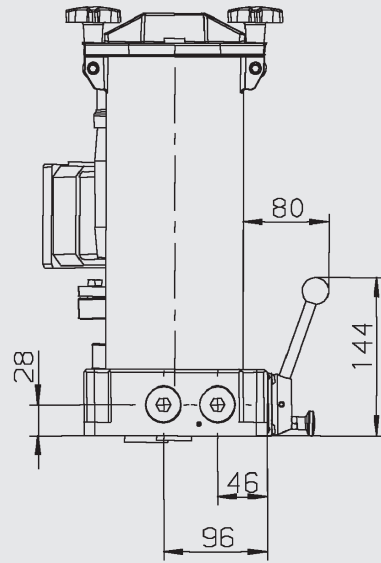
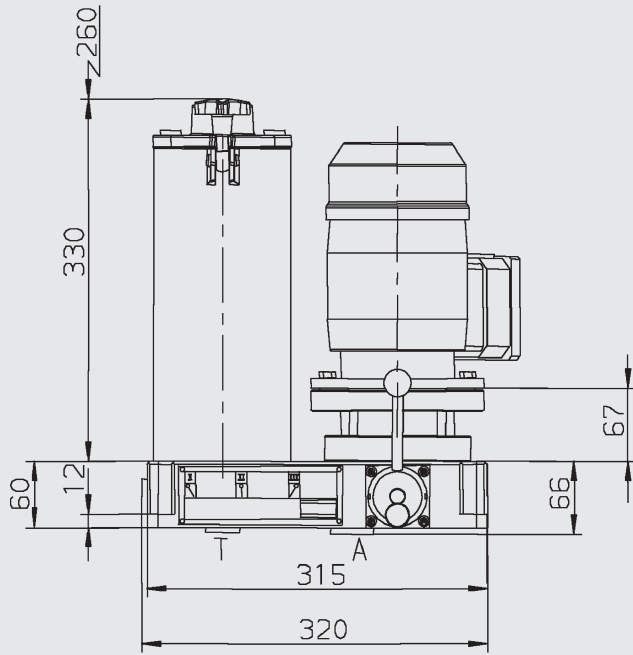
## Accessories (optional)

- OF5M anti-vibration mounting kit for universal mounting  
Part. no.: 3124658

## Replacement elements

Filtration rating	Element type	Part no.
2 µm (Dimicron®)	N5DM002	349494
5 µm (Dimicron®)	N5DM005	3068101
10 µm (Dimicron®)	N5DM010	3102924
20 µm (Dimicron®)	N5DM020	3023508
1 µm (Aquamicron®)	N5AM001	3114428
2 µm (Aquamicron®)	N5AM002	349677
20 µm (Aquamicron®)	N5AM020	3040345

# DIMENSIONS

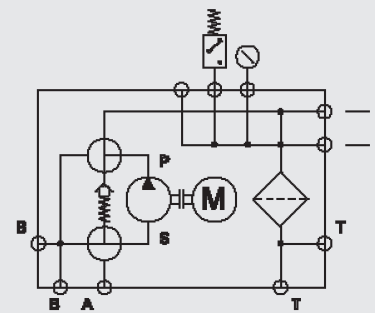
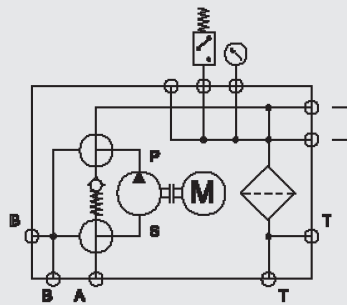
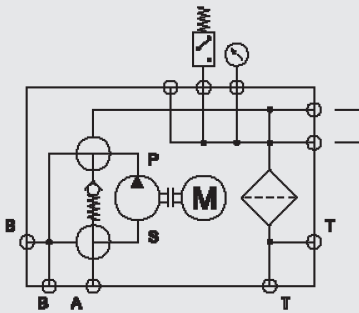


A	Suction port connection	G1
B	Transfer port	G3/4
T	Tank line	G3/4

## Hydraulic circuit diagram

I Emptying tank, filter is bypassed A → B    II Filtering offline A → T

III Filling via filter B → T



**Note**

The information in this general brochure relates to the operating conditions and applications described.

For applications and operating conditions not described, please contact the relevant technical department.

All technical details are subject to change.

**HYDAC FILTER SYSTEMS GMBH**  
Industriegebiet  
**D-66280 Sulzbach / Saar, Germany**  
Tel.: +49 (0) 6897/509-01  
Fax: +49 (0) 6897/509-9046  
Internet: [www.hydac.com](http://www.hydac.com)  
E-mail: [filtersystems@hydac.com](mailto:filtersystems@hydac.com)