



## Barrel Transportation and Filtration Trolley

FT 5

### Description

The barrel transport and filtration trolley FT 5 is a mobile oil servicing and care unit used for filtration during the filling of plants and when repumping hydraulic and lubrication media. The unit is intended for carrying along a standard oil barrel (200 l).

A switch on the unit enables simple changeover between pumping operations with and without filtration.

### Applications

- Hydraulic and lubrication oil systems in a variety of industries

### Advantages

- Convenient filtration in bypass flow
- Safe and simple transport of a 200 l standard oil barrel
- Simple handling
- Filling with defined oil cleanliness
- Increased system availability
- Reduction of life cycle costs LCC

### Technical details

Max. flow rate	30/40 l/min
Operating pressure	4.5 bar max.
Viscosity range	15 to 800 mm <sup>2</sup> /s (version-dependent)
Permitted operating fluid	Mineral oil (others on request)
Permitted suction pressure at suction port	-0.4 bar to +0.6 bar
Fluid temperature	-10 to 80°C
Ambient temperature	-20 to 40°C
Seals	NBR (option: FPM)
IP class	IP 54
Length of power cable	6 m
Length of hoses	3 m
Hose connections	Suction hose NW 30 with lance Pressure hose NW 25 with lance
Weight	≈ 160 kg
Accessories	Pistol grip filling nozzle Flow meter

## Model code

FT5 L 10 P 6 N 2 B 05 E

### Type

FT5 = Barrel Transportation and Filtration Trolley

### Versions

L = Without change-over valve  
F = With change-over valve

### Type code

10 = Standard  
Special models on request

### Seals

P = NBR (Perbunan)  
V = FPM (Viton)

### Motor-pump unit

Meas. ref.	Theor. output at 1450 rpm	Max. viscosity	El. motor rating at 50 Hz
3	30 l/min	250 mm <sup>2</sup> /s	0.75 kW
6	40 l/min	800 mm <sup>2</sup> /s	1.5 kW

### Electric motor voltage

M = 1 x 230V - 50 Hz  
N = 3 x 380 - 420 V - 50 Hz, 3 x 440 - 480 V - 60 Hz  
S = 3 x 500 - 600 V - 50 (60)Hz  
X = Special voltage

### Filter size

1 = Element 330  
2 = Element 1300

### Filter material

B = Betamicron (BN4HC)  
A = Aquamicron (BN/AM), (AM)

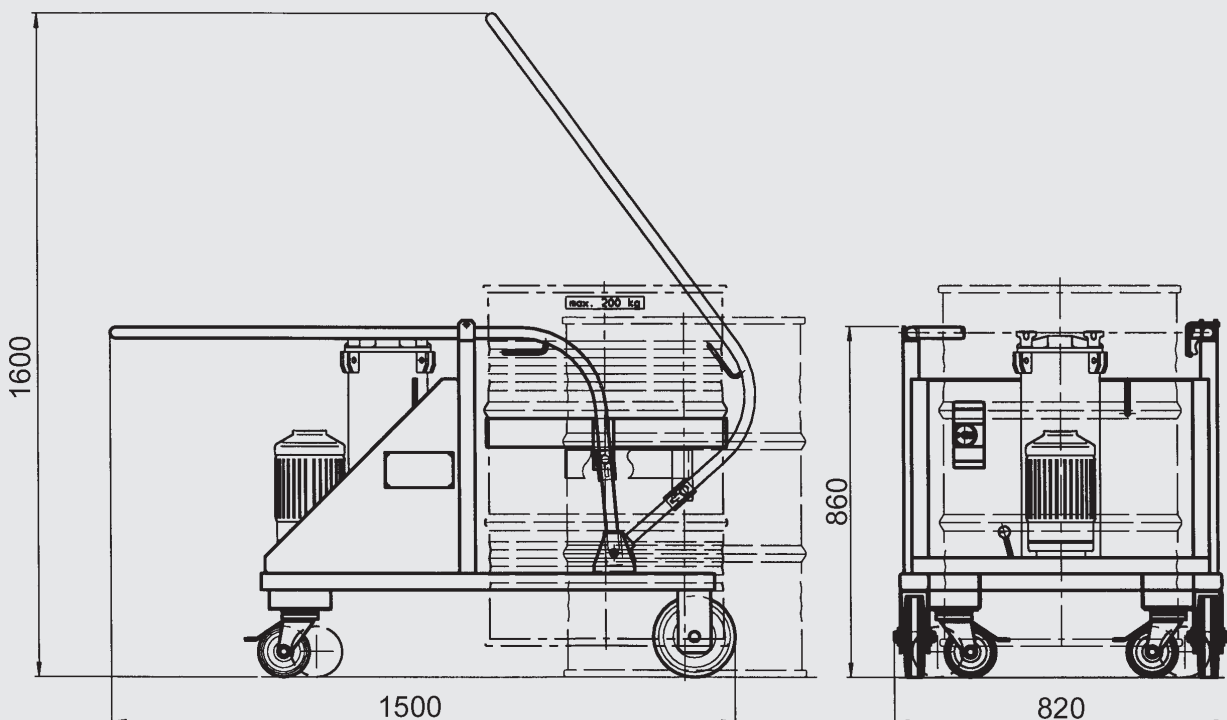
### Filtration rating

03 = 3 µm BN4HC; BN/AM  
05 = 5 µm BN4HC  
10 = 10 µm BN4HC; BN/AM  
20 = 20 µm BN4HC;  
40 = 40 µm AM

### Clogging indicator

E = Standard, back-pressure indicator  
B = Option: differential pressure gauge - visual  
C = Option: differential pressure gauge - electrical  
D = Option: differential pressure gauge - visual/electrical  
B, C and D not for version "L"

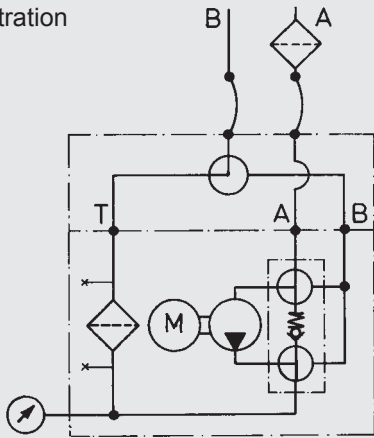
## Dimensions



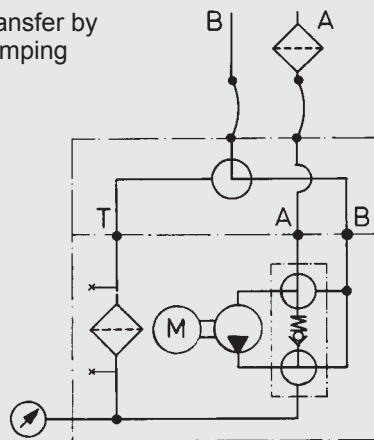
## Hydraulic circuit diagram

Version F

Filtration

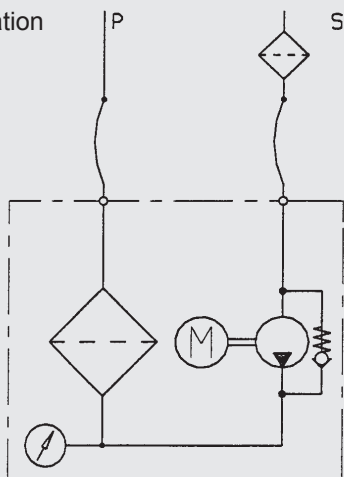


Transfer by pumping



Version L

Filtration



## Replacement elements

Filter size	Filtration rating	Element type	Part no.
1	3 µm	0330 R 003 BN4HC/-KB (-V-KB)	1262999 (1263640)
1	5 µm	0330 R 005 BN4HC/-KB (-V-KB)	1263000 (1263641)
1	10 µm	0330 R 010 BN4HC/-KB (-V-KB)	1263001 (1263642)
1	20 µm	0330 R 020 BN4HC/-KB (-V-KB)	1263002 (1263643)
1	40 µm	0330 R 040 AM/-KB (-V-KB)	1272067 (1266563)
1	3 µm	0330 R 003 BN/AM/-KB (-V-KB)	1272069 (1276690)
1	10 µm	0330 R 010 BN/AM/-KB	1272068
2	3 µm	1300 R 003 BN4HC/-KB (-V-KB)	1263059 (1263760)
2	5 µm	1300 R 005 BN4HC/-KB (-V-KB)	1263060 (1263761)
2	10 µm	1300 R 010 BN4HC/-KB (-V-KB)	1263061 (1263762)
2	20 µm	1300 R 020 BN4HC/-KB (-V-KB)	1263062 (1263763)
2	40 µm	1300 R 040 AM/-KB	1267699
2	3 µm	1300 R 003 BN/AM/-KB	1267991
2	10 µm	1300 R 010 BN/AM/-KB (-V-KB)	1270010 (1276060)

V = Viton

KB = Without bypass

**Note**

The information in this general brochure relates to the operating conditions and applications described.

For applications and operating conditions not described, please contact the relevant technical department.

All technical details are subject to change.

**HYDAC FILTER SYSTEMS GMBH**  
Industriegebiet  
**D-66280 Sulzbach / Saar, Germany**  
Tel.: +49 (0) 6897/509-01  
Fax: +49 (0) 6897/509-9046  
Internet: [www.hydac.com](http://www.hydac.com)  
E-mail: [filtersystems@hydac.com](mailto:filtersystems@hydac.com)