



Filtromat OF 5 with FCU

Description

The mobile filtration unit OF 5 is designed to fill/filter hydraulic & lubrication tanks and to filter offline whereby the contamination can be monitored. It is also designed for pumping out unfiltered hydraulic and lubrication oils, and draining hydraulic tanks.

The built-in FluidControl Unit FCU 2000 measures the particle contamination and monitors the oil cleanliness.

Applications

- Hydraulic and lubrication oil systems in a variety of industries

Advantages

- Convenient filtration in bypass flow
- Simultaneous monitoring of the particulate contamination
- Simple handling
- Increased system availability
- Reduction of life cycle costs LCC

Technical Details

Pump type	Vane pump
Max. flow rate	40 l/min
Operating pressure	4.5 bar
Permitted suction pressure at suction port	-0.4 bar to +0.6 bar
Viscosity range	15 to 300 mm ² /s (version-dependent, see model code)
Permitted operating fluid	Mineral oil (others on request)
Fluid temperature	-10 to 70°C
Ambient temperature	-20 to 40°C
Seals	NBR
IP class	IP 54
Length of power cable	6 m
Length of hoses	3 m
Hose connections	Suction hose NW 28 with lance Pressure hose NW 25 with lance
Weight when empty	≈ 92 kg

Model code

OF 5 C 20 P 6 N 2 B 05 C

Basic type

OF 5

Versions

C = mobile, without change-over valve, with FCU

Type code

20 = with FCU 2010

21 = with FCU 2110

22 = with FCU 2210

Seals

P = NBR (Perbunan)

Motor-pump unit

Meas. ref.	Theor. output at 1450 rpm	Max. viscosity	El. motor rating at 50 Hz
3	30 l/min	250 mm ² /s	0.75 kW
6	40 l/min	300 mm ² /s	1.5 kW

Electric motor voltage

N = 3 x 380 - 420 V - 50 Hz; 3 x 440 - 480 V - 60 Hz

S = 3 x 500 - 600 V - 50 (60) Hz

X = special voltage

Filter size

2 = element 1300

Filter material

B = Betamicron® (BN4HC)

A = Aquamicron®

Filtration rating

03 = 3 µm BN4HC; BN4AM

05 = 5 µm BN4HC

10 = 10 µm BN4HC; BN4AM

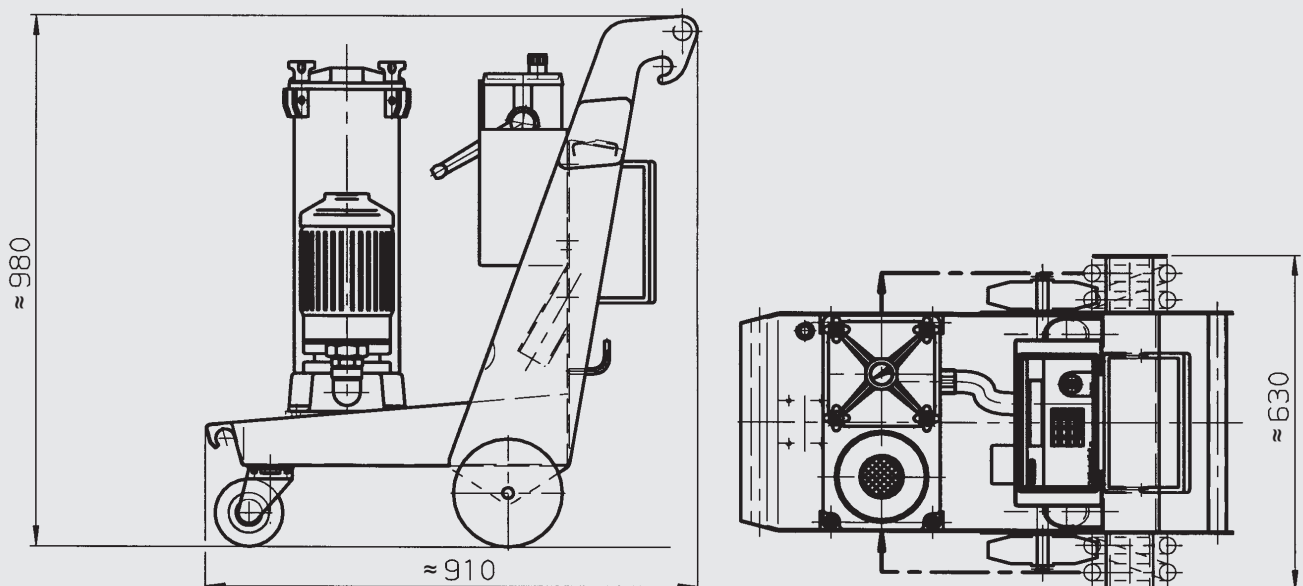
20 = 20 µm BN4HC

40 = 40 µm AM

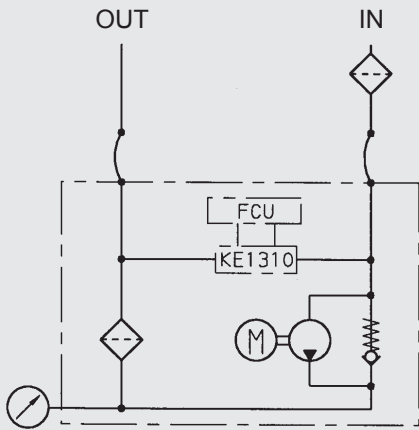
Clogging indicator

C = pressure gauge, electrical (VMF 2 C.0)

Dimensions



Hydraulic circuit diagram



Replacement elements

Filter size	Filtration rating	Element type	Part no.
2	3 µm	1300 R 003 BN4HC/-KB (-V-KB)	1263059 (1263760)
2	5 µm	1300 R 005 BN4HC/-KB (-V-KB)	1263060 (1263761)
2	10 µm	1300 R 010 BN4HC/-KB (-V-KB)	1263061 (1263762)
2	20 µm	1300 R 020 BN4HC/-KB (-V-KB)	1263062 (1263763)
2	40 µm	1300 R 040 AM/-KB	1267699
2	3 µm	1300 R 003 BN4AM/-KB (-V-KB)	1267991 (1271839)
2	10 µm	1300 R 010 BN4AM/-KB (-V-KB)	1270010 (1276060)

Note

The information in this general brochure relates to the operating conditions and applications described.

For applications and operating conditions not described, please contact the relevant technical department.

All technical details are subject to change.

HYDAC FILTER SYSTEMS GMBH
Industriegebiet
D-66280 Sulzbach / Saar, Germany
Tel.: +49 (0) 6897/509-01
Fax: +49 (0) 6897/509-9046
Internet: www.hydac.com
E-mail: filtersystems@hydac.com