



Bolt clamps

Round steel bolt clamps HRRBS
Flat steel bolt clamps HRFBS

General

Round steel bolt clamps similar to DIN 3570 are particularly suitable for fastening pipes with thermal expansion and large tanks.

The pipes can either be fastened firmly or with some clearance for sliding.

HY-ROS round steel bolt clamps are made up of a round steel U-bolt with nuts and pipe support. The parts are also available as individual units.

Pipe supports are available in short or long versions.

Round steel bolt clamps are available in 23 sizes for pipe diameters from 17.1 to 762 mm.

DIN 3567 flat steel bolt clamps are used as mounting elements for pipe systems outside hydraulic applications.

They are available in 32 sizes from 20 to 500 mm.

NOTE

The information in this brochure relates to the operating conditions and applications described. For applications and operating conditions not described, please contact the relevant technical department.

Users bear the responsibility in all cases for determining the product's suitability in the specific application. Figures given for product characteristics are average values for a new product which are subject to an ageing process. Subject to technical modifications and errors.

HYDAC Accessories GmbH
Hirschbachstr. 2
66280 Sulzbach/Saar
Tel.: +49 (0)6897 - 509-01
Fax: +49 (0)6897 - 509-1009
Internet: www.hydac.com
E-mail: info@hydac.com



Round steel bolt clamp sim. to DIN 3570 HRRBS

Size	Pipe outside Ø D [mm]
1	17.1 21.3
2	25 26.9
3	30 33.7
4	38 42.4
5	44.5 48.3
6	57 60.3
7	76.1
8	88.9
9	108 114.3
10	133 139.7
11	159 168.3
12	191 193.7
13	216 219.1
14	267 273
15	318 323.9
16	355.6 368
17	406.4 419
18	508 521
19	558
20	609
21	660
22	711
23	762

Model code (also order example)

HRRBS 10 L 139,7 PP ST ZN

Designation

HRRBS = HY-ROS round steel bolt clamp

Size

1 = size 1
2 = size 2
up to size 23

Version with clamp assembly

A = clamp with four hex nuts
K = clamp with four hex nuts and pipe support, short
L = clamp with four hex nuts and pipe support, long

Pipe diameter D*

Material of pipe support*

PP = polypropylene
PA = polyamide
PAFF = polyamide flame-retardant to EN 45545-2 R22, R23, HL3

Material of steel parts

ST = steel
A2 = stainless steel (on request)
A4 = stainless steel (on request)
Others on request

Surface of steel parts

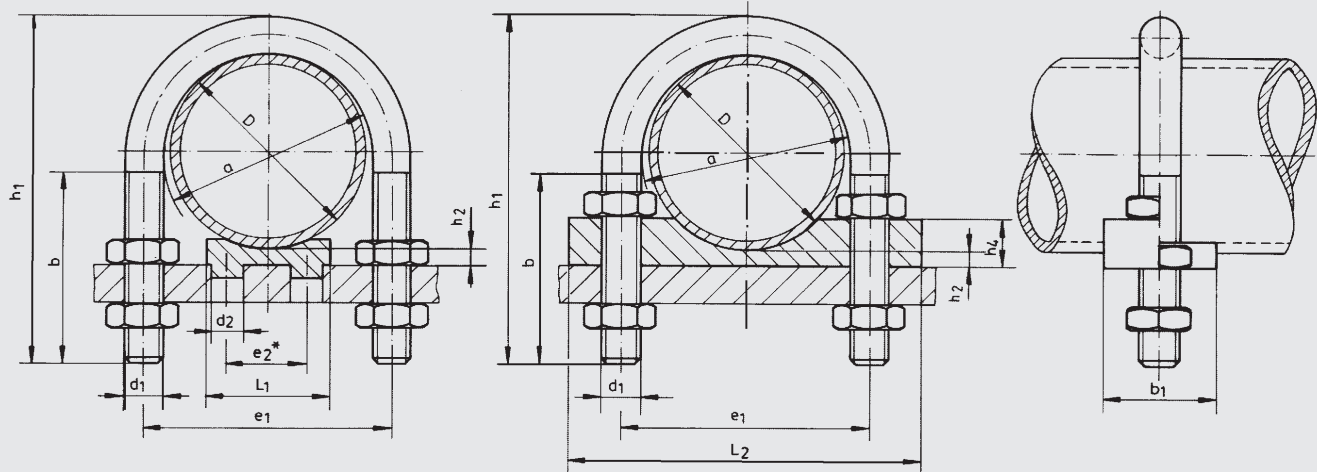
ZN = galvanised
Others on request

* Not applicable for version A

Dimensions [mm]

Short version

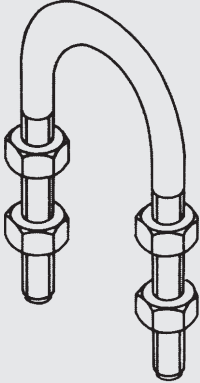
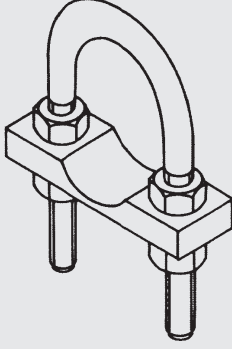
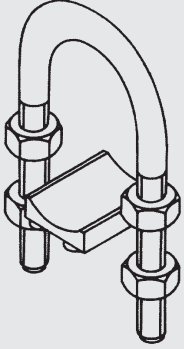
Long version



For pipe support size 1–4, e_2 is drawn with a 90° offset

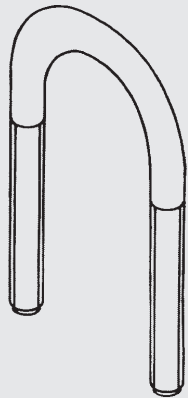
Size	Round steel clamp BUE					Pipe support short version RUK					Pipe support long version RUL			
	a [mm]	b [mm]	d ₁	e ₁ [mm]	h ₁ [mm]	d ₂ [mm]	e ₂ [mm]	h ₂ [mm]	L ₁ [mm]	b ₁ [mm]	h ₂ [mm]	h ₄ [mm]	L ₂ [mm]	b ₁ [mm]
1	23	30	M10	33	60	8	25	5	24	35	5	10	60	25
2	30	40	M10	40	70	8	25	5	24	35	5	12	75	30
3	38	40	M10	48	75	8	25	5	24	35	5	12	80	30
4	46	50	M10	56	86	8	25	5	24	35	5	12	90	30
5	52	50	M10	62	92	10	25	5	38	50	5	15	95	35
6	64	60	M12	76	109	10	25	5	38	50	5	15	110	35
7	82	60	M12	94	125	10	25	5	38	50	5	15	135	35
8	94	60	M12	106	138	10	25	5	38	50	10	20	145	40
9	120	80	M16	136	171	20	81	9	110	80	10	20	190	40
10	148	80	M16	164	191	20	81	9	110	80	10	20	220	40
11	176	80	M16	192	217	20	81	9	110	80	12	25	250	50
12	202	80	M16	218	249	20	81	9	110	80	12	25	270	50
13	228	100	M20	248	283	25	130	9	175	110	12	25	315	50
14	282	100	M20	302	334	25	130	9	175	110	12	25	370	50
15	332	100	M20	352	385	25	130	9	175	110	15	30	420	60
16	378	100	M24	402	435	30	210	9	250	130	15	30	480	60
17	428	100	M24	452	487	30	210	9	250	130	15	30	540	60
18	530	100	M24	554	589	30	210	9	250	130	15	30	640	60
19	570	150	M30	600	650	30	210	9	250	130	20	40	700	70
20	622	150	M30	652	700	30	210	9	250	130	20	40	750	70
21	680	150	M30	710	760	30	210	9	250	130	20	40	810	70
22	730	150	M30	760	810	30	210	9	250	130	20	40	870	70
23	785	150	M30	815	870	30	210	9	250	130	20	40	910	70

Versions

Version A Clamp with four hex nuts	Version L Clamp with four hex nuts and short pipe support	Version K Clamp with four hex nuts and long pipe support
		

Individual parts

Round steel clamp (BUE) Size 1–23



Model code (also order example)

HRRBS 10 BUE ST ZN

Series

HRRBS = HY-ROS round steel bolt clamp

Size

1 = size 1
2 = size 2
up to size 23

Designation

BUE = clamp

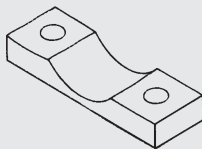
Material of steel parts

ST = steel
A2 = stainless steel (on request)
A4 = stainless steel (on request)
Others on request

Surface of steel parts

ZN = galvanised
Others on request

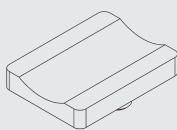
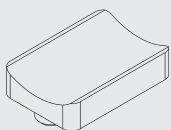
Pipe support long (RUL) Size 1–23



Pipe support, short (RUK)

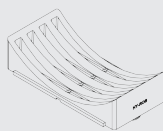
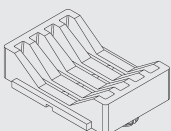
Size 1 - 4

Size 5 - 8



Size 9 - 12

Size 13 - 23



Model code (also order example)

HRRBS 10 RUL 139,7 PP

Series

HRRBS = HY-ROS round steel bolt clamp

Size

1 = size 1
2 = size 2
up to size 23

Designation

RUL = pipe support, long
RUK = pipe support, short

Pipe diameter D

(in acc. with dimensions)

Materials of pipe support

PP = polypropylene
PA = polyamide (on request)
PAFF = polyamide flame-retardant to EN 45545-2 R22, R23, HL3 (on request)
Others on request

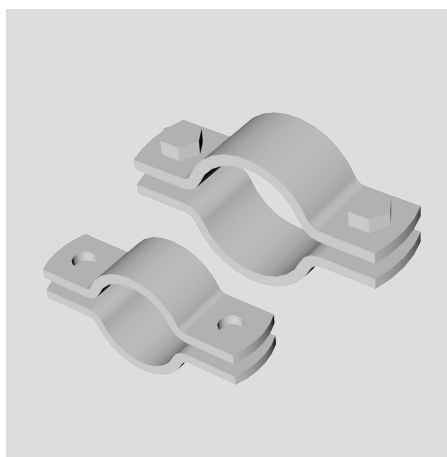
NOTE

The information in this brochure relates to the operating conditions and applications described. For applications and operating conditions not described, please contact the relevant technical department.

Users bear the responsibility in all cases for determining the product's suitability in the specific application. Figures given for product characteristics are average values for a new product which are subject to an ageing process. Subject to technical modifications and errors.

HYDAC Accessories GmbH
Hirschbachstr. 2
66280 Sulzbach/Saar
Tel.: +49 (0)6897 - 509-01
Fax: +49 (0)6897 - 509-1009
Internet: www.hydac.com
E-mail: info@hydac.com

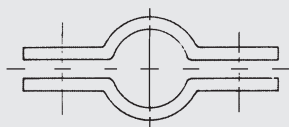
Flat steel bolt clamps in acc. with DIN 3567 HRFBS



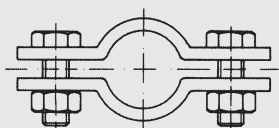
Clamp form

Form A

Size 1 - 32
Nom. size 20 - 500



Version A1
(without screws and nuts)



Version A
(with screws and nuts)

Model code

(also order example)

HRFBS 12 A1 89 ST ZN Form A

Designation

HRFBS = HY-ROS flat steel bolt clamp

Size

1 = size 1
2 = size 2
up to size 32

Version, clamp assembly

A1 = flat steel clamp pair
A = flat steel clamp pair with hex head screws and nuts

Pipe diameter d_1

(in acc. with dimensions)

Material of steel parts

ST = steel
A2 = stainless steel (on request)
A4 = stainless steel (on request)

Surface of steel parts

BL = bare
ZN = galvanised

Clamp form

Form A

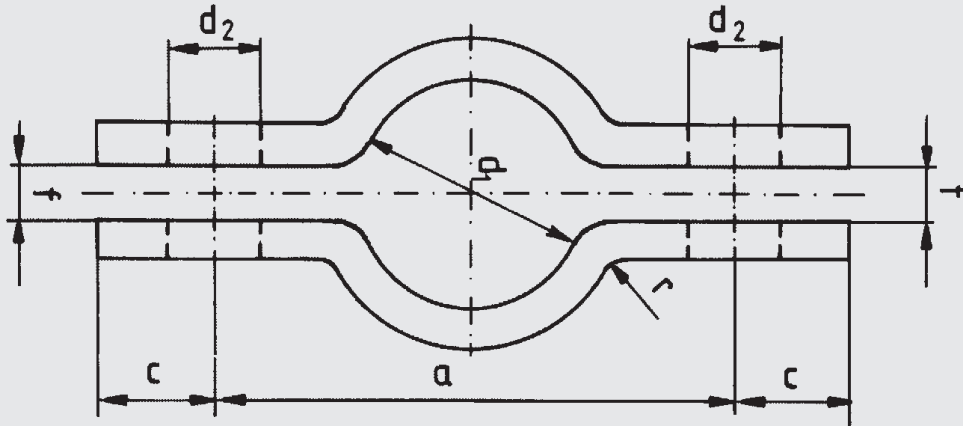
NOTE

The information in this brochure relates to the operating conditions and applications described. For applications and operating conditions not described, please contact the relevant technical department.

Users bear the responsibility in all cases for determining the product's suitability in the specific application. Figures given for product characteristics are average values for a new product which are subject to an ageing process. Subject to technical modifications and errors.

Dimensions

Form A



d_1 [mm]	Size	For use with nom. size		Dimensions [mm]					Flat steel to DIN 1017 [mm]	ASKT to ISO 4017	Weight [kg/100 pcs.]						
				a	c	d_2	f	r									
25	1	20		62	15	11.5	7	4	30 x 5	M10 x 30MU	21.37						
27	2		3/4"	66							22.57						
30	3	25		68							23.37						
34	4		1"	72							24.79						
38	5	32		76							26.12						
43	6		1 1/4"	82							27.87						
45	7	40		84							28.81						
49	8		1 1/2"	88							30.37						
57	9	50		104							18	14	9	6	40 x 6	M12 x 35MU	56.10
61	10		2"	108													58.20
77	11	65	2 1/2"	122	66.30												
89	12	80	3"	136	75.30												
108	13	100		172	24	18	11	6	50 x 8	M16 x 45MU							159.10
115	14		4"	178													163.40
133	15	125		196													178.50
140	16			204													183.10
159	17	150		222													200.00
169	18			232													208.10
191	19	(175)		254							239.40						
194	20			258							242.00						
216	21	200		280							260.00						
220	22			284							264.40						
267	23	250		342	30	23	14	8	60 x 8	M20 x 50MU	385.00						
273	24			348							390.60						
318	25	300		392							440.00						
324	26			398							448.80						
356	27	350		432							508.70						
368	28			444							530.00						
407	29	400		498							36	27	18	8	70 x 10	M24 x 60MU	852.20
419	30			510													875.00
508	31	500		600													1020.00
521	32			614													1050.00

Note: sizes given in brackets should be avoided where possible.