

Linear Position Transmitter HLT 724 for series applications

Magnetic-inductive

For full integration

Resolution 0.1 %

Customised designs thanks to diverse electrical connections
Analogue

Description:

The sensor's measuring principle for determination of position or distance is based on magnetic-inductive measurement.

Based on this non-contact and wear-free measuring system, HYDAC offers a version in a pressure-resistant housing For full integration in hydraulic cylinders.

The different output signals (analogue) enable connection to all HYDAC ELECTRONIC GmbH measurement and control devices as well as connection to standard evaluation systems (e.g. to PLC controls).

The main fields of application are in mobile hydraulics.

Technical data:

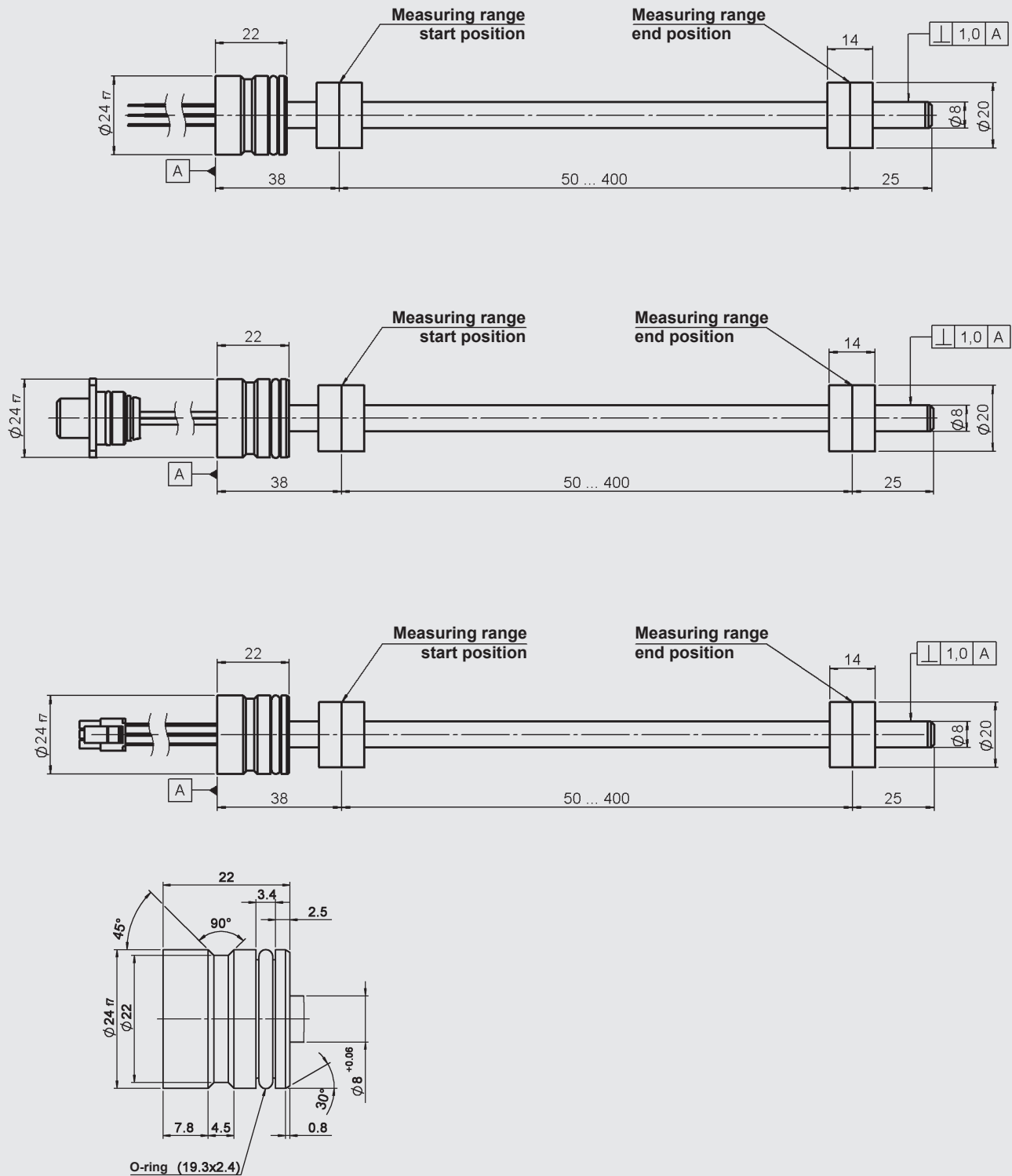
Input data	
Measuring ranges	50 .. 400 mm
Model	Rod Ø 8 mm, sensor head Ø 24 mm ¹⁾ for cylinder full integration Operating pressure: ≤ 450 bar Peak pressure acc. to DIN EN ISO 19879: 630 bar
Material	Rod: Stainless steel 1.4571 Housing: Stainless steel 1.4057
Seal	O-ring: PU P5008
Output data	
Output signal, permitted load resistance	Current: 4 .. 20 mA, 3-conductor 20 .. 4 mA, 3-conductor Load resist.: 200 .. 500 Ω
	Voltage: 0.25 .. 4.75 V, 4.75 .. 0.25 V 0.5 .. 4.5 V, 4.5 .. 0.5 V Load resist.: min. 2 kΩ
Resolution	0.1 % FS
Non-linearity	≤ ± 1 % FS
Hysteresis	≤ ± 0.25 % FS
Repeatability	≤ ± 0.125 % FS
Sampling rate	≤ 20 ms (10 .. 90 %)
Environmental conditions	
Operating temperature range	-40 .. +85 °C
Storage temperature range	-55 .. +105 °C
Fluid temperature range	-40 .. +120 °C
CE mark	EN 61000-6-1 / 2 / 3 / 4
Vibration resistance acc. to DIN EN 60068-2-6 at 10 .. 90 Hz	≤ 1.5 mm
at 91 .. 2000 Hz	≤ 17 g
Shock resistance acc. to DIN EN 60068-2-27 (11 ms)	≤ 50 g
Protection class acc. to DIN EN 60529	IP 67 (single leads) IP 6K9K (separate male flange connector M12x1; separate male connector Molex in conjunction with ZBE 50 (accessory male flange connector DT04-3p Molex))
Installation position	No restrictions
Other data	
Electrical connection	Single leads 3 x 0.25 mm ² Separate male flange connector M12x1, 4 pole Separate male connector Molex, 3 pole
Supply voltage (V _{in}) nominal	9 .. 32 V DC
Residual ripple of supply voltage	≤ 5 %
Power consumption without output	≤ 320 mW
Weight	(dependent on measuring range and lead lengths) 50 mm: ~50 g 400 mm: ~130 g

Note: Reverse polarity protection of the supply voltage, overvoltage and short circuit protection are provided.

FS (Full Scale) = relative to complete measuring range

¹⁾ Further head diameters available on request.

Dimensions:



Order details:

The linear position transmitter HLT 724 has been specially developed for OEM customers and is available for minimum order quantities of 500 units per type.

For precise specifications, please contact the Sales Department of HYDAC ELECTRONIC.

Note:

The information in this brochure relates to the operating conditions and applications described.

For applications or operating conditions not described, please contact the relevant technical department.

Subject to technical modifications.

HYDAC ELECTRONIC GMBH
 Hauptstr. 27, 66128 Saarbrücken
 Germany
 Telephone +49 (0)6897 509-01
 Fax +49 (0)6897 509-1726
 e-mail: electronic@hydac.com
 Internet: www.hydac.com