



Pressure Transmitter HDA 4300

Relative pressure

Accuracy 0.5 %



Description:

The pressure transmitter series HDA 4300 is equipped with a ceramic pressure measurement cell with thick-layer strain gauge, which was specially developed for relative pressure measurement in the low-pressure range.

The output signals 4 .. 20 mA or 0 .. 10 V allow connection of all HYDAC ELECTRONIC GMBH measurement and control devices as well as industry standard open- and closed-loop control instruments.

The main fields of application are low-pressure applications in hydraulics and pneumatics, particularly in refrigeration and air-conditioning technology and pharmaceutical industries.

Technical data:

Input data

Measuring ranges	bar	1	2.5	4	6	10	16	25	40	-1 .. 1	-1 .. 5	-1 .. 9
Overload pressures	bar	3	8	12	20	32	50	80	120	3	20	32
Burst pressure	bar	5	12	18	30	48	75	120	180	5	30	48

Mechanical connection	G1/4 A ISO 1179-2 G1/2 B DIN-EN 837
Tightening torque, recommended	20 Nm (G1/4); 45 Nm (G1/2)
Parts in contact with fluid	Mech. connection: Stainless steel Sensor cell: Ceramic Seal: Copper (G1/2) / FKM / EPDM (as per model code)

Output data

Output signal, permitted load resistance	4 .. 20 mA, 2-conductor $R_{Lmax} = (U_B - 8 V) / 20 \text{ mA} [\text{k}\Omega]$ 0 .. 10 V, 3-conductor $R_{Lmin} = 2 \text{ k}\Omega$
Accuracy acc. to DIN 16086, terminal based	$\leq \pm 0.5 \% \text{ FS typ.}$ $\leq \pm 1 \% \text{ FS max.}$
Accuracy, B.F.S.L.	$\leq \pm 0.25 \% \text{ FS typ.}$ $\leq \pm 0.5 \% \text{ FS max.}$
Temperature compensation	$\leq \pm 0.02 \% \text{ FS} / ^\circ\text{C typ.}$
Zero point	$\leq \pm 0.03 \% \text{ FS} / ^\circ\text{C max.}$
Temperature compensation	$\leq \pm 0.02 \% \text{ FS} / ^\circ\text{C typ.}$
Span	$\leq \pm 0.03 \% \text{ FS} / ^\circ\text{C max.}$
Non-linearity acc. to DIN 16086, terminal based	$\leq \pm 0.5 \% \text{ FS max.}$
Hysteresis	$\leq \pm 0.4 \% \text{ FS max.}$
Repeatability	$\leq \pm 0.1 \% \text{ FS}$
Rise time	$\leq 1 \text{ ms}$
Long-term drift	$\leq \pm 0.3 \% \text{ FS typ.} / \text{year}$

Environmental conditions

Compensated temperature range	-25 .. +85 °C
Operating temperature range	-25 .. +85 °C
Storage temperature range	-40 .. +100 °C
Medium temperature range ¹⁾	-40 .. +100 °C / -25 .. +100 °C

CE mark EN 61000-6-1 / 2 / 3 / 4

UL US mark²⁾ Certificate no.: E318391

Vibration resistance acc. to DIN EN 60068-2-6 at 10 .. 500 Hz $\leq 20 \text{ g}$

Shock resistance acc. to DIN EN 60068-2-29 $\leq 100 \text{ g} / 6 \text{ ms}$

Protection class acc. to DIN EN 60529³⁾ IP 65 (Binder 714 M18)
IP 67 - M12x1 male connector
- Male connector EN175301-803

Other data

Supply voltage	8 .. 30 V DC 2-conductor 12 .. 30 V DC 3-conductor
when applied acc. to UL specifications	- limited energy - acc. to 9.3 UL 61010; Class 2; UL 1310/1585; LPS UL 60950
Residual ripple of supply voltage	$\leq 5 \%$
Current consumption	$\leq 25 \text{ mA}$
Life expectancy	> 10 million cycles, 0 .. 100 % FS
Weight	~ 150 g

Note: Reverse polarity protection of the supply voltage, excess voltage, override and short circuit protection are provided.

FS (Full Scale) = relative to complete measuring range

B.F.S.L. = Best Fit Straight Line

¹⁾ -25 °C with FKM or EPDM seal, -40 °C on request

²⁾ Environmental conditions acc. to 1.4.2 UL 61010-1; C22.2 No 61010-1

³⁾ With mounted mating connector in corresponding protection class

Model code:

HDA 4 3 X X - X - XXXX - 000 - X 1

Mechanical connection

- 1 = G1/2 B DIN-EN 837
- 4 = G1/4 A ISO 1179-2

Electrical connection

- 4 = male, 4 pole Binder series 714 M18 (mating connector not supplied)
- 5 = male, 3 pole + PE, DIN EN175301-803 (mating connector supplied)
- 6 = male M12x1, 4 pole (mating connector not supplied)

Output signal

- A = 4 .. 20 mA, 2-conductor
- B = 0 .. 10 V, 3-conductor

Measuring ranges in bar

01.0; 02.5; 04.0; 06.0; 0010; 0016; 0025; 0040
0001 (-1 .. 1); 0005 (-1 .. 5); 0009 (-1 .. 9)

Modification number

000 = standard

Sealing material (in contact with fluid)

- F = FKM seal (e.g. for hydraulic oils)
- E = EPDM seal (e.g. for refrigerants)

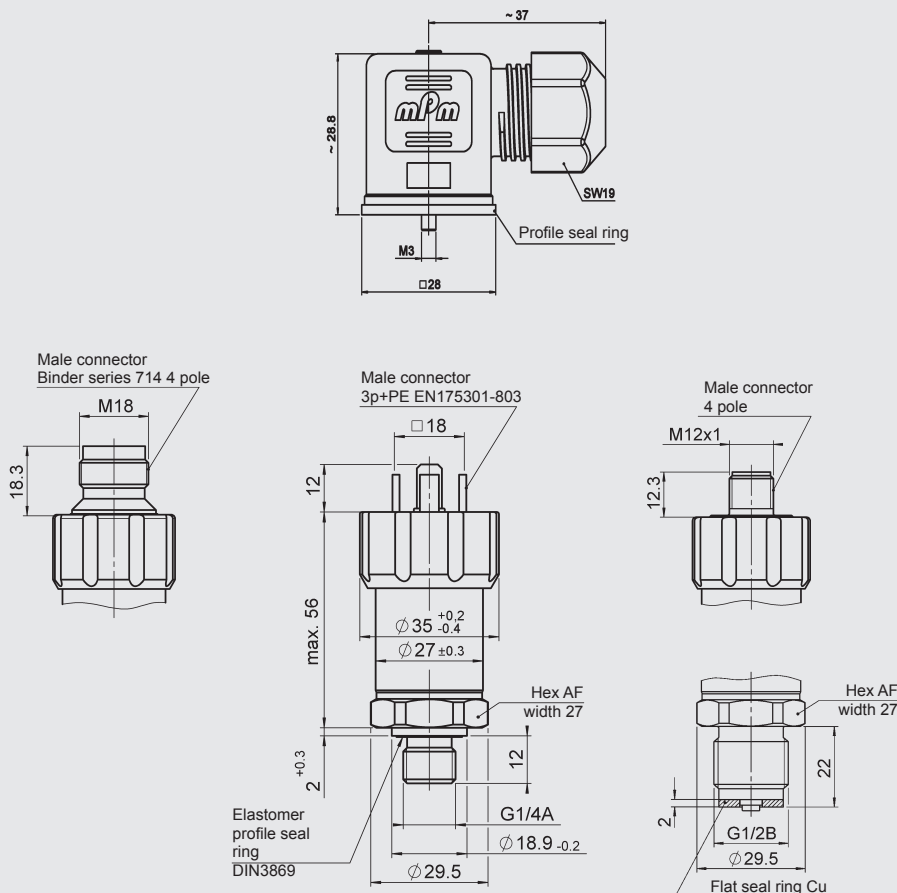
Connection material (in contact with fluid)

- 1 = stainless steel

Accessories:

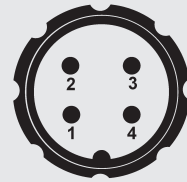
Appropriate accessories, such as mating connectors, can be found in the Accessories brochure.

Dimensions:



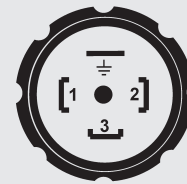
Pin connections:

Binder series 714 M18



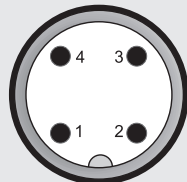
Pin	HDA 43X4-A	HDA 43X4-B
1	n.c.	+U _B
2	Signal +	Signal
3	Signal -	0 V
4	n.c.	n.c.

EN175301-803



Pin	HDA 43X5-A	HDA 43X5-B
1	Signal +	+U _B
2	Signal -	0 V
3	n.c.	Signal
L	Housing	Housing

M12x1



Pin	HDA 43X6-A	HDA 43X6-B
1	Signal +	+U _B
2	n.c.	n.c.
3	Signal -	0 V
4	n.c.	Signal

Note:

The information in this brochure relates to the operating conditions and applications described.

For applications or operating conditions not described, please contact the relevant technical department.

Subject to technical modifications.

HYDAC ELECTRONIC GMBH
Hauptstr. 27, 66128 Saarbrücken
Germany
Phone +49 (0)6897 509-01
Fax +49 (0)6897 509-1726
e-mail: electronic@hydac.com
Internet: www.hydac.com