



Temperature Probe TFP 100

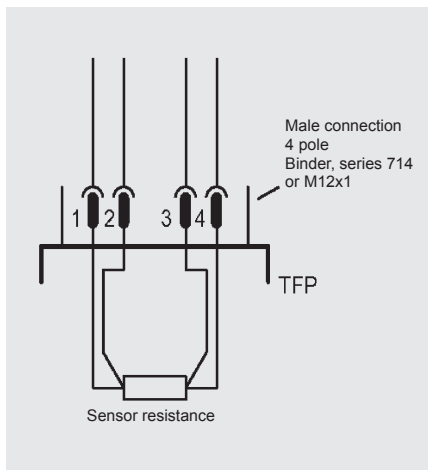
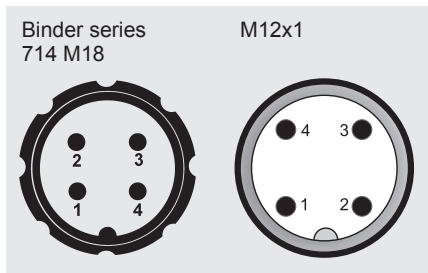
Description:

The TFP 100 temperature probe was developed primarily for tank installation. The PT 100 precision resistor in 4-conductor design can be connected directly to HYDAC temperature switches ETS 3800, ETS 380 and ETS 1700.

The standardised electrical connection also means that other evaluation or control systems (e.g. PLC) can easily be connected.

For adaptation to different applications and fluids, a nickel-plated brass installation sleeve which is pressure-resistant up to 10 bar is available as an accessory.

Pin connections:



Technical data:

Temperature probe

Measuring element	PT 100
Measuring range	-40 .. +125 °C (-40 .. +257 °F)
Probe length	95.5 mm
Probe diameter	6 mm
Parts in contact with fluid	Brass
CE mark	EN 61000-6-1 / 2 / 3 / 4
Sensor current	0.3 .. 1.0 mA

Tank installation sleeve for TFP 100 (Accessory, not supplied)

Pressure resistance	10 bar
Parts in contact with fluid	CuZn39Pb3 (brass), nickel-plated

Model code:

TFP 10X - 000

Separate temperature probe

Electrical connection

- 4 = male, 4 pole Binder series 714 M18 (mating connector supplied)
- 6 = male, 4 pole M12x1 (mating connector not supplied)

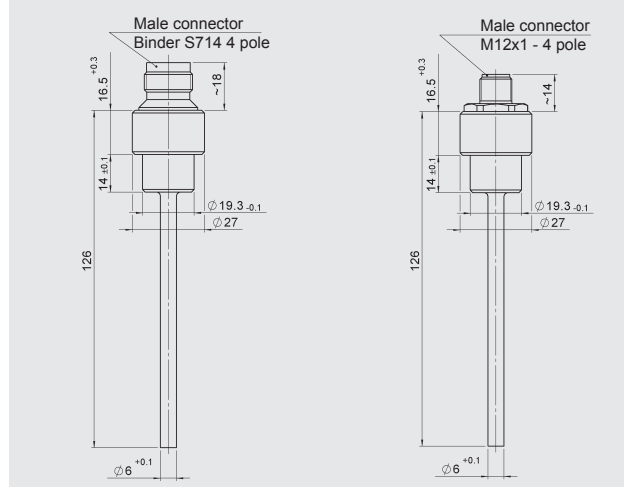
Modification number

000 = standard

TFP 104-000 Part no.: 904696

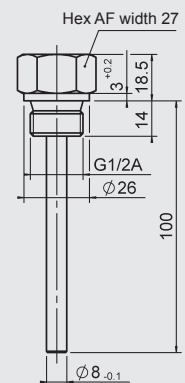
TFP 106-000 Part no.: 921330

Dimensions:



Tank installation sleeve for TFP 100 (to be ordered separately)

Part no.: 906 170



Note:

The information in this brochure relates to the operating conditions and applications described. For applications or operating conditions not described, please contact the relevant technical department.

Subject to technical modifications.

HYDAC ELECTRONIC GMBH
Hauptstr. 27, 66128 Saarbrücken
Germany
Telephone +49 (0)6897 509-01
Fax +49 (0)6897 509-1726
e-mail: electronic@hydac.com
Internet: www.hydac.com

