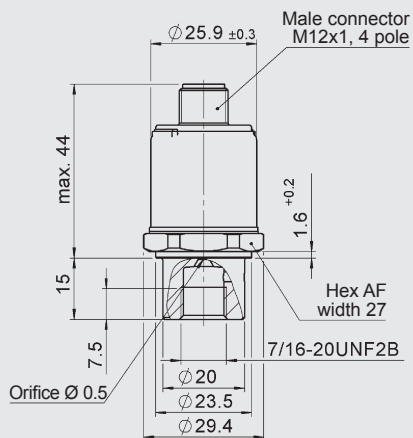
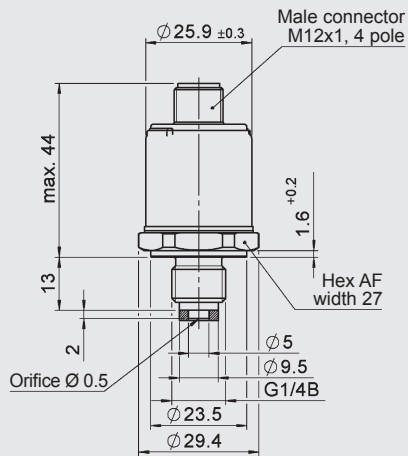
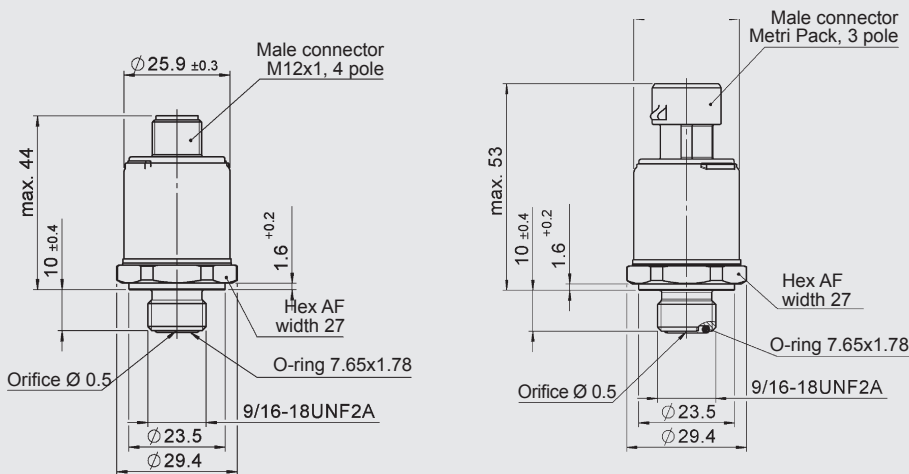


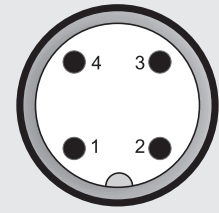


## Dimensions:



## Pin connections:

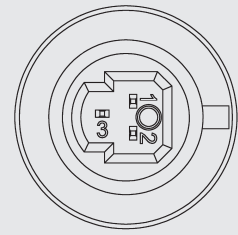
M12x1, 4 pole



Pin

|   |          |
|---|----------|
| 1 | Signal + |
| 2 | n.c.     |
| 3 | Signal - |
| 4 | n.c.     |

Metri-Pack, 3 pole



Pin

|   |          |
|---|----------|
| 1 | Signal - |
| 2 | Signal + |
| 3 | n.c.     |

## Note:

The information in this brochure relates to the operating conditions and applications described.

For applications or operating conditions not described, please contact the relevant technical department.

Subject to technical modifications.

**HYDAC ELECTRONIC GMBH**  
 Hauptstraße 27, 66128 Saarbrücken  
 Germany  
 Telephone +49 (0)6897 509-01  
 Fax +49 (0)6897 509-1726  
 E-mail: [electronic@hydac.com](mailto:electronic@hydac.com)  
 Internet: [www.hydac.com](http://www.hydac.com)