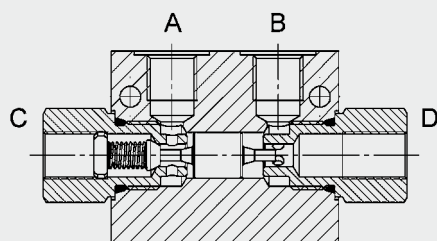


Up to 30 l/min
Up to 350 bar

FUNCTION



The pilot-to-open check valve RPER is an inline mounted, direct-acting, spring-loaded poppet valve. Its function is to hold the consumer in position and the valve is leak-free. The valve allows flow from port A to port C. In the opposite direction, the ball is pressed onto the seat by the closing spring and the pressure at port C, and blocks flow from C to A. If a sufficiently high control pressure is introduced at port B or D, the control piston moves, lifting the ball from the poppet and allows flow from C to A. In this case port A (tank) must not be pressurized.

Single Check Valve, Pilot-to-Open Direct-Acting Inline Mounted RPER 06

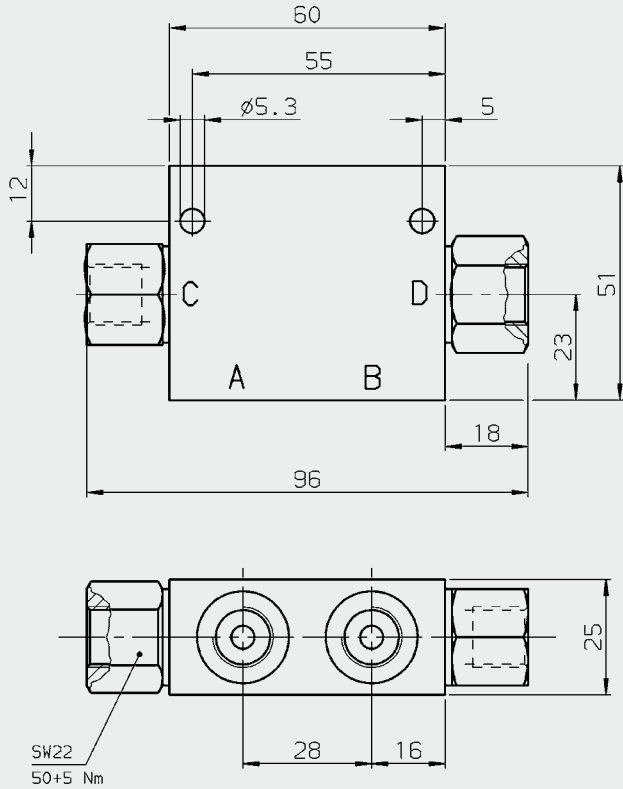
GENERAL

- Main application is to prevent uncontrolled movement or creeping of loaded cylinders, to isolate sections of the system and to control double-acting cylinders
- External surfaces zinc-plated and corrosion-proof
- Hardened and ground internal valve components to ensure minimal wear and extended service life
- Consumer is held in position with minimum leakage

SPECIFICATIONS

| | |
|------------------------------------|--|
| Operating pressure: | max. 350 bar |
| Nominal flow: | max. 30 l/min |
| Pilot ratio: | $\phi = 1:4$ |
| Leakage: | Leakage-free (max. 5 drops $\hat{=}$ 0,25 cm ³ /min at 350 bar, C to A) |
| Media operating temperature range: | min. -20 °C to max. +100 °C |
| Ambient temperature range: | min. -20 °C to max. +100 °C |
| Operating fluid: | Hydraulic oil to DIN 51524 Part 1 and 2 |
| Viscosity range: | min. 7.4 mm ² /s to max. 420 mm ² /s |
| Filtration: | Class 21/19/16 according to ISO 4406 or cleaner |
| MTTF _d : | 150 years (see "Conditions and instructions for valves" in brochure 5.300) |
| Installation: | No orientation restrictions |
| Materials: | Valve body: steel Piston: hardened and ground steel Seals: FKM (standard) Back-up rings: PTFE |
| Weight: | 0.51 kg |

DIMENSIONS



Millimeter
Subject to technical modifications.

MODEL CODE

RPER 06 - 01 X - 0.5

Basic model

Check valve,
pilot-to-open

Size

06 = size 6

Type

01 = standard
(line body, zinc-plated,
seals FKM)

Series

(determined by manufacturer)

Cracking pressure

0.5 = 0.5 bar

Other cracking pressures on request

Standard models

| Model code | Part No. |
|----------------|----------|
| RPER06-011-0.5 | 3165890 |

Other models on request

NOTE

The information in this brochure relates to the operating conditions and applications described.
For applications or operating conditions not described, please contact the relevant technical department.
Subject to technical modifications.

HYDAC Fluidtechnik GmbH
Justus-von-Liebig-Str.
D-66280 Sulzbach/Saar
Tel: 0 68 97 / 509-01
Fax: 0 68 97 / 509-598
E-Mail: flutec@hydac.com