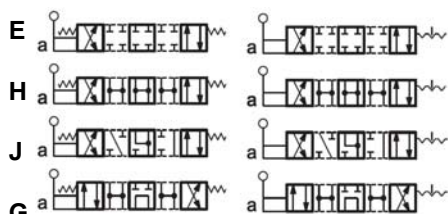




## Directional valve lever operated 4/2 and 4/3 plate mounted 4WMH 10

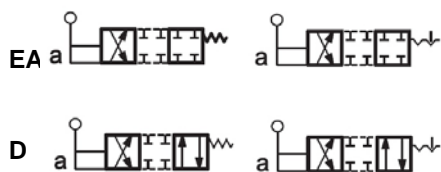
### SYMBOL

4/3 with spring / with detent



(more symbols see next page,  
with explanation)

4/2 with spring / with detent:



up to 150 l/min  
up to 320 bar

### FEATURES

- INTERFACE to ISO 4401-05, NW 10
- Types with different piston types
- Types with two or three positions, with retaining spring or mechanical detent
- Casted-iron valve body with high stability and low pressure drop
- external leakage line Y serial mounted (has to be used if the pressure in the backline T is higher than 25 bar)
- hand lever position left = P-B-A-T, lever position right = P-A-B-T

### SPECIFICATIONS

Operating pressure at P, A, B:

max. 320 bar

Operating pressure at T:

max. 25 bar

(operating pressure at T with external  
line Y max. 320 bar)

leakage

max. 150 l/min

Nominal Flow:

Hydraulic oil to DIN 51524 part 1 and

Operating fluid:

- 20°C up to max. +80°C

Temperature range of operating fluid:

-20°C up to max. +50°C

Ambient temperature range:

10 – 400 mm<sup>2</sup>/s is recommended

Viscosity range:

Class 20/18/15 according to

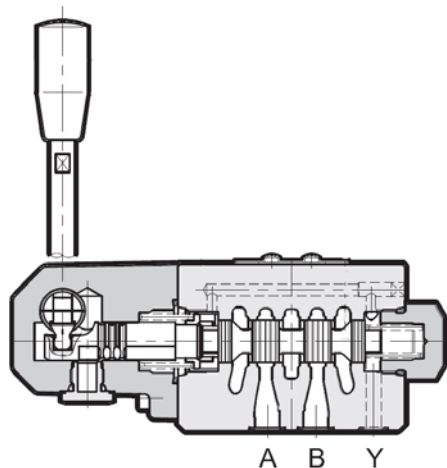
Filtration:

ISO4406 or cleaner

Weight:

4,2 kg

### FUNCTION



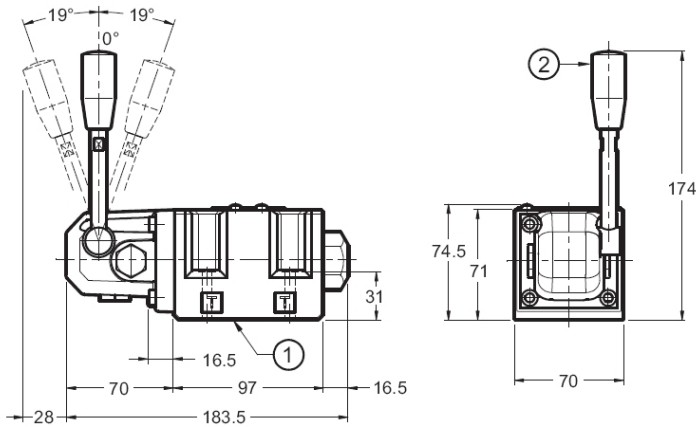
## Standard Models

4WMH 10 E 01/V  
 4WMH 10 J 01/V  
 4WMH 10 E-F 01/V

## Part No.

nn  
 3571988  
 3613643

## DIMENSIONS



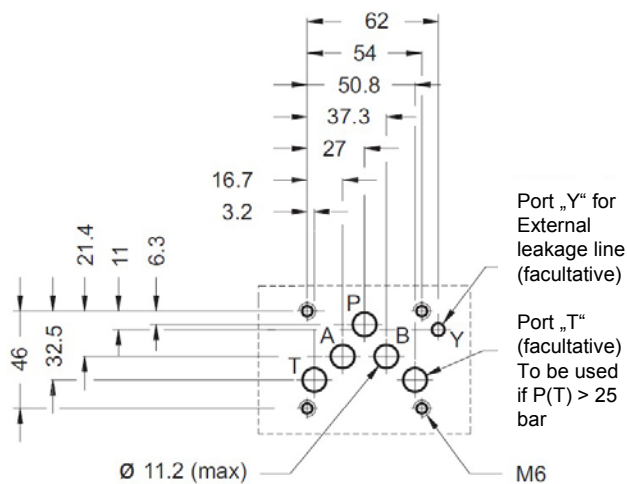
Attention: 4/3 directional valve is on the picture: the lever of the 4/2 valve only does half stroke!

- 1) Fixing plate with O-rings:  
 5x O-Ring 12,42 x 1,78 FKM 90 Shore  
 1x O-Ring 9,25 x 1,78 FKM 90 Shore
- 2) Hand lever

Fixing screws: 4 p. hexagon nut M6x40-12.9  
 Torque: up to 14 Nm + 0,5

All measures in mm.  
 Fixing elements are not in the scope of supply.

## Fixing plate to ISO 4401-05-02-0-05



**NOTE**  
 The information in this brochure relates to the operating conditions and applications described. For applications or operating conditions not described, please contact the relevant technical department. Subject to technical modifications.

HYDAC Fluidtechnik GmbH  
 Justus-von-Liebig-Str. 5  
 66280 Sulzbach / Saar  
 Tel.: 06897 / 509 -0  
 Fax: 06897 / 509 -598  
 Email: flutec@hydac.com

## MODEL CODE

4WMH 10 D -F 01 / V

**Name and NW** Directional valve lever operated NW 6

**Control function** D = Symbol

**Type** Omission = spring detent  
 F = without spring, with detent

**Series** 01 = Standard

**Seal material** V = FKM (Standard)  
 N = NBR

## PERFORMANCE

Pressure drop  $\Delta p/Q$   
 Measured at  $v = 36 \text{ mm}^2/\text{s}$  and  $t_{\text{oil}} = 50 \text{ }^\circ\text{C}$

	P→A	P→B	A→T	B→T
Symbol	DIAGRAMMKENNLINIEN			
E 4/3	2	2	1	1
H 4/3	3	3	1	1
J 4/3	3	3	2	2
G 4/3	1	1	2	2
EA 4/2	3	3	2	2
D 4/2	3	3	2	2

