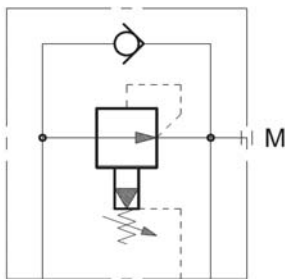




## Pressure Reducing Valve pilot operated Subplate to ISO 5781 VP-DRP10

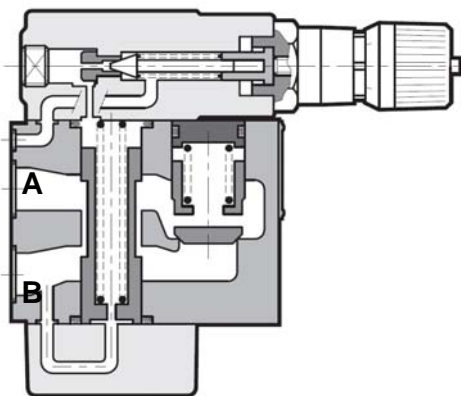
### SYMBOL



A Y B

up to 250 bar  
up to 110 l/min

### FUNCTION



### FEATURES

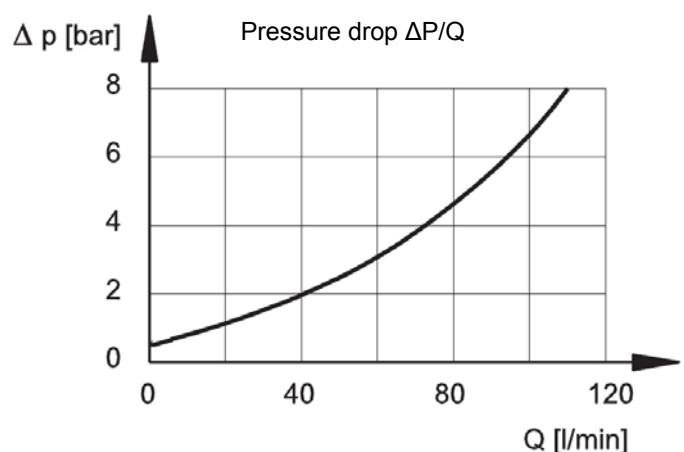
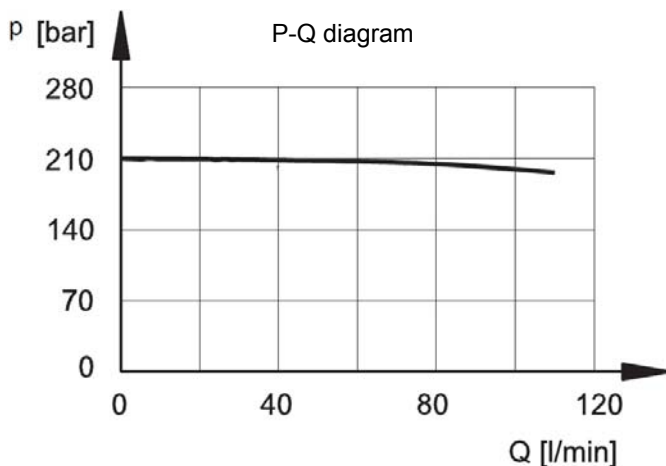
- Hole pattern to ISO 5781-08, Nominal size 10
- pilot operated pressure reducing valve
- low flow loss by maximum size bore holes
- free flow in opposite direction by built-in check valve (cracking pressure 0,5 bar)

### SPECIFICATIONS

Operating pressure:	max. 250 bar
Flow rate:	max. 110 l/min
Leakage:	< 0,8 l/min
Operating fluid:	hydraulic oil to DIN 51524 part 1 and 2
Operating fluid temp. range:	-20°C up to max. +80°C
Ambient temperature range:	-20°C up to max. +50°C
Viscosity range:	7,4 – 400 mm <sup>2</sup> /s is recommended
Filtration:	Class 20/18/15 according to ISO 4406
Installation:	no orientation restriction
Hole pattern:	to ISO 5781-08
Weight:	6,1 kg

### PERFORMANCE

measured at  $v = 36 \text{ mm}^2/\text{s}$  and  $T_{\text{oil}} = 50^\circ \text{C}$



**Standard models**      **Part No.**  
 VP-DRP10 210VR S01/V    3541092  
 Other models on request

**MODEL CODE**

VP-DRP10 210 V R S01 /V

**Name and size** \_\_\_\_\_  
 Pressure reducing valve pilot operated NW 10

**Pressure ranges** \_\_\_\_\_  
 210 = 5 up to 210 bar

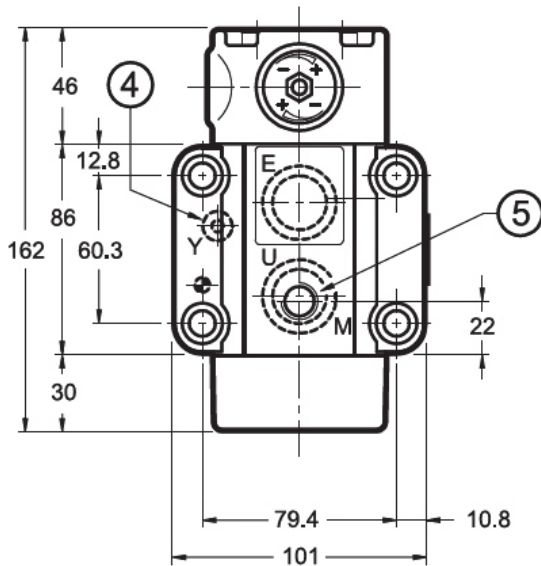
**Adjustability** \_\_\_\_\_  
 V = adjustable by turning knob

**Check valve** \_\_\_\_\_  
 R (cracking pressure 0,5 bar)

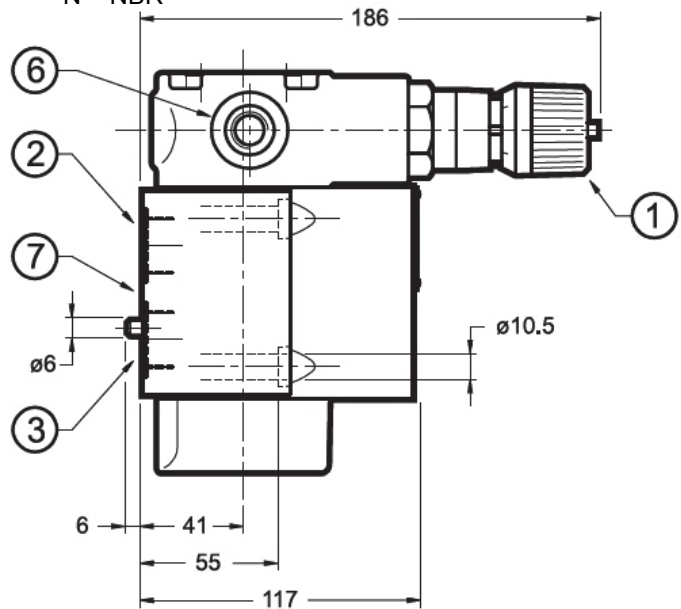
**Type** \_\_\_\_\_  
 S01 = Standard

**Seal material** \_\_\_\_\_  
 V = FKM (Standard)  
 N = NBR

**DIMENSIONS**



- 1) SICBLOC turning knob (push and turn at same time)
- 2) Inlet port
- 3) Outlet port
- 4) Leakage port
- 5) Port for measuring gauge 1/4" NPT)
- 6) Leakoil secondary port for line 1/4" BSP



- 7) Mounting plate with O-rings:  
 2x O-Ring 25,07 x 2,62 90 Shore FKM  
 2x O-Ring 5,28 x 1,78 FKM

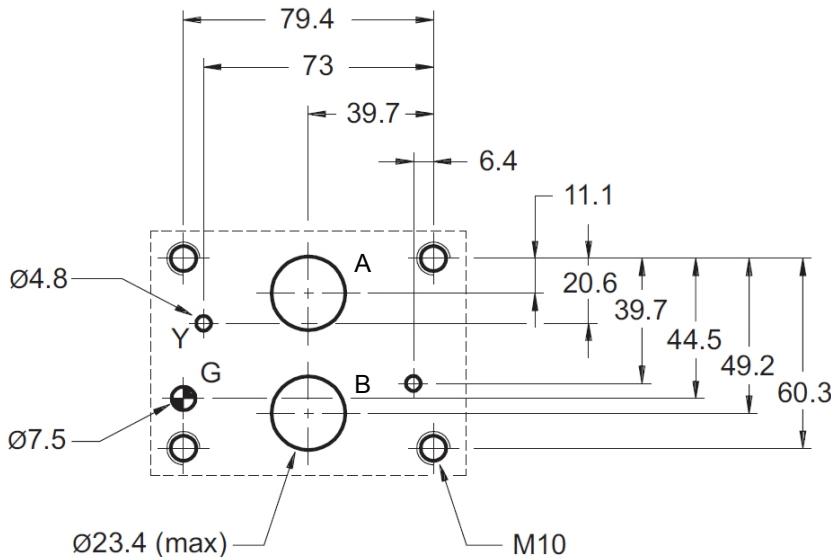
Fastening screws: 4x Allen key M10x70 10.9

Torque: 40 Nm + 4 Nm

All dimensions in mm.

Fastening elements are not in scope of delivery.

**Mounting plate to ISO 5781-06-07-\*-00**



**Annotation**

The technical information in this brochure are relating to the operating conditions and applications. At deviant applications and/or operating conditions please contact the technical dept. Technical information are subject to technical modifications.

HYDAC Fluidtechnik GmbH  
 Justus-von-Liebig-Str. 5  
 66280 Sulzbach / Saar  
 Tel.: 06897 / 509 -0  
 Fax: 06897 / 509 -598  
 Email: flutec@hydac.com