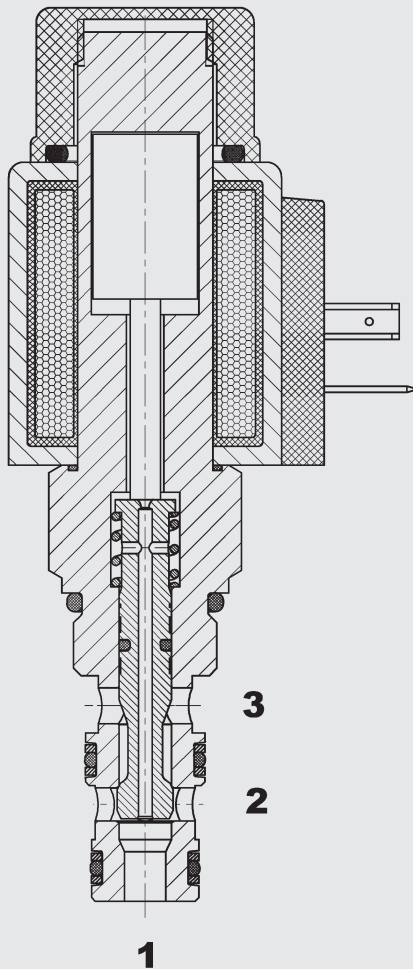


FUNCTION



When de-energized, there is free flow through the valve from port 1 to port 2. Port 3 is closed.

When energized, the valve allows flow from port 2 to port 3, while blocking flow at port 1.

3/2 Solenoid Directional Valve **UNF** Poppet Type, Direct-Acting SAE-08 Cartridge – 280 bar WS08D-51

FEATURES

- Excellent switching performance due to high power HYDAC solenoid
- Hardened and ground internal valve components to ensure minimal wear and extended service life
- External surfaces zinc-plated and corrosion-proof
- Wide variety of connectors available
- Low pressure drop by CFD optimized flow path
- Smaller dimensions by shorter coil in comparison to WS08D-01 (Limited switching performance)

SPECIFICATIONS

| | | |
|------------------------------------|----------------------------------------------------------------------------|-----------------------------------------------------------------------------|
| Operating pressure: | max. 280 bar | |
| Nominal flow: | max. 20 l/min | |
| Leakage: | Leak-free (max. 5 drops \approx 0,25 cm ³ /min at 280 bar) | |
| Media operating temperature range: | min. -20 °C to max. +100 °C | |
| Ambient temp. range: | min. -20 °C to max. +60 °C | |
| Operating fluid: | Hydraulic oil to DIN 51524 Part 1 and 2 | |
| Viscosity range: | min. 7.4 mm ² /s to max. 420 mm ² /s | |
| Filtration: | Class 21/19/16 according to ISO 4406 or cleaner | |
| MTTF _d : | 150 years (see "Conditions and instructions for valves" in brochure 5.300) | |
| Installation: | No orientation restrictions | |
| Materials: | Valve body: | Free-cutting steel |
| | Piston: | hardened and ground steel |
| | Seals: | NBR (standard) FKM (optional, media temperature range -20 °C to +120 °C) |
| | Back-up rings: | PTFE |
| | Coil: | Steel/Polyamide |
| Cavity: | FC08-3 | |
| Weight: | Valve complete | 0.395 kg |
| | Coil only | 0.19 kg |

Electrical data:

| | | |
|------------------------|--------------------------------------------------------------------------------|---------------|
| Coil duty rating: | Continuous up to max. 115% of the nominal voltage at 60 °C ambient temperature | |
| Current draw at 20 °C: | 1.5 A at 12 V DC 0.8 A at 24 V DC | |
| Voltage tolerance: | \pm 15% of the nominal voltage | |
| Switching time: | Energized: | approx. 35 ms |
| | De-energized: | approx. 45 ms |
| Coil type: | Coil...-40-1836 | |

