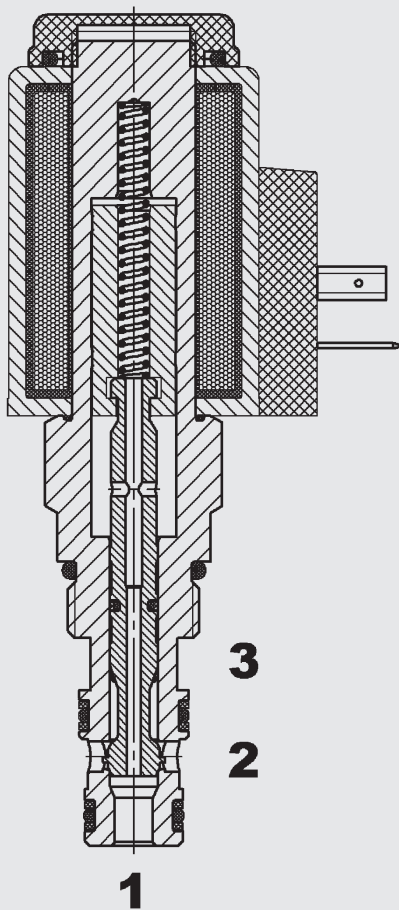


up to 22 l/min  
up to 350 bar

## FUNCTION



The directional valve WS08C-01 is an electromagnetically actuated, direct acting 3/2 poppet valve.

When de-energized, there is free flow through the valve from port 2 to port 3. Port 1 is closed. When energized, the valve allows flow from port 1 to 2, while blocking flow at port 3.

## 3/2 solenoid directional valve **UNF** Poppet type, Direct-acting SAE-08 Cartridge – 350 bar

WS08C-01

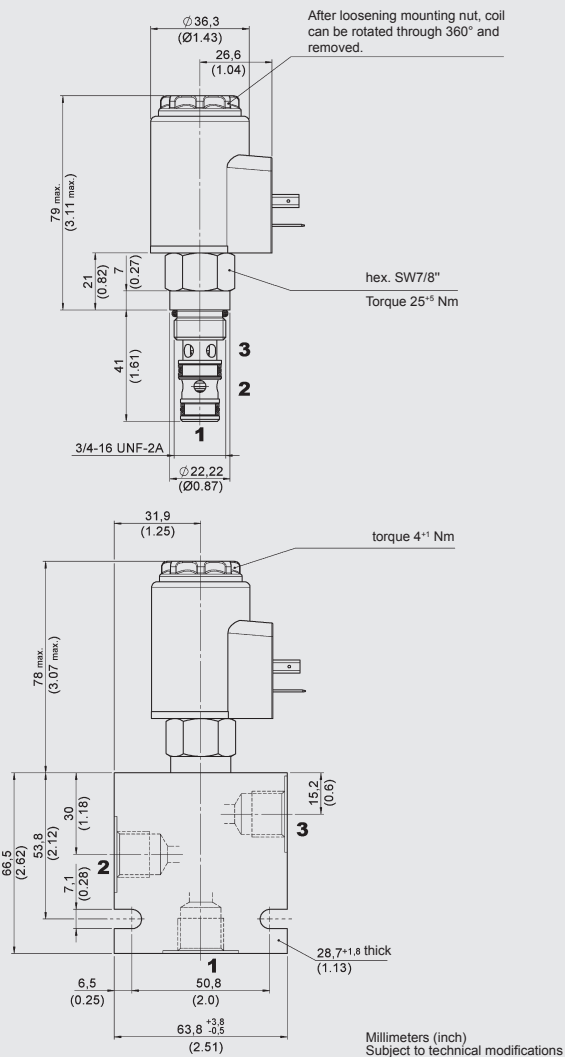
### FEATURES

- External surfaces zinc-plated and corrosion-proof
- Hardened and ground internal valve components to ensure minimal wear and extended service life
- Coil seals protect the solenoid system
- Wide variety of connectors available
- Excellent switching performance by high power HYDAC solenoid
- Low pressure drop due to CFD optimized flow path

### SPECIFICATIONS

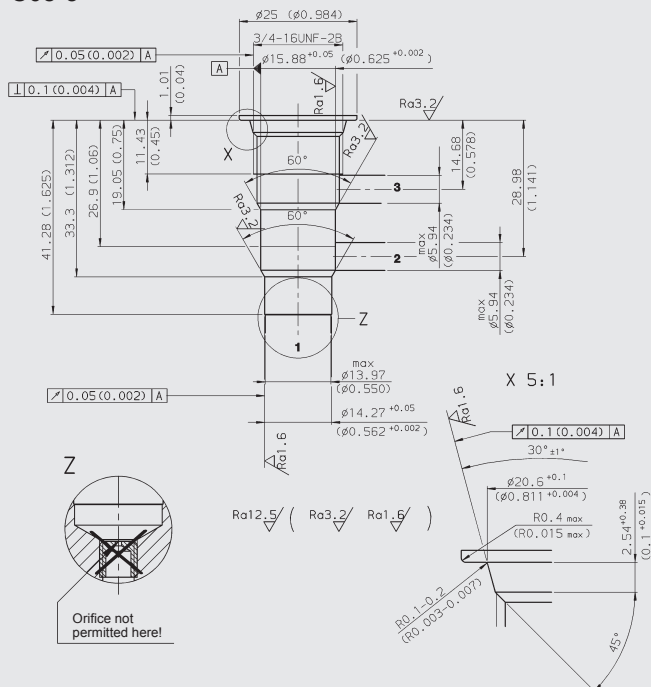
Operating pressure:	max. 350 bar	
Nominal flow:	max. 22 l/min	
Internal leakage:	leak-free (max. 5 drops/min at 50 bar)	
Media operating temperature range	min. -20 °C to max. +100 °C	
Ambient temperature range:	min. -20 °C to max. +60 °C	
Operating fluid:	Hydraulic oil to DIN 51524 T1 + T2	
Viscosity range:	min. 7.4 mm <sup>2</sup> /s to max. 420 mm <sup>2</sup> /s	
Filtration:	Class 21/19/16 according to ISO 4406 or cleaner	
MTTF <sub>d</sub> :	150 years	
Installation:	no orientation restrictions	
Materials:	Valve body:	High tensile steel
	Piston	Hardened and ground steel
	Seals:	NBR (standard) FKM (optional, fluid temperature range -20 °C to +120 °C)
	Back-up rings:	PTFE
	Solenoid coil:	steel / polyamide
Cavity:	FC08-3	
Weight:	Coil only:	0.23 kg
	Valve complete:	0.49 kg
<b>Electrical data:</b>		
Type of voltage:	DC solenoid, AC voltage is rectified using a bridge rectifier built into the coil	
Current draw at 20 °C:	2.22 A at 12 V DC 1.13 A at 24 V DC	
Voltage tolerance:	± 15 % of nominal voltage	
Coil duty rating:	Continuous up to 115 % of the nominal voltage at max. 60 °C ambient temperature	
Response time:	On:	approx. 30 mn
Coil type:	Coil...-50-1836	

## DIMENSIONS



## CAVITY

FC08-3



## Form tools

Tool	Part No.
Countersink FC08-3	175644
Reamer FC08-3	175645

Millimeters (inch)  
Subject to technical modifications

## MODEL CODE

**WS08C - 01 - C - N - 24 DG**

**Basic model** \_\_\_\_\_  
Directional poppet valve

**Type** \_\_\_\_\_  
01 = standard

**Body and ports\*** \_\_\_\_\_  
C = cartridge only

**Seals** \_\_\_\_\_  
N = NBR (standard)  
V = FKM (optional)

**Coil voltage** \_\_\_\_\_  
**DC voltage**  
12 = 12 VDC  
24 = 24 VDC  
**AC voltage** (bridge rectifier built into the coil)  
115 = 115 V AC  
230 = 230 V AC  
Other voltages on request

**Coil connectors (type 50-1836)** \_\_\_\_\_  
DC: DG = DIN connector to EN 175301-803  
DK = KOSTAL threaded connection M27x1  
DL = 2 flying leads, 457 mm long, 0.75 mm<sup>2</sup>  
DN = Deutsch connector, 2-pole, axial  
DT = AMP Junior Timer, 2-pole, radial  
AC: AG = DIN connector to EN 175301-803  
Other connectors on request

## Standard models

Code	Part No.
WS08C-01-C-N-12DG	3778047
WS08C-01-C-N-24DG	3778048
Other models on request	

## \*Standard Line Bodies

Code	Part No.	Material	Ports	Pressure
FH083-SB3	560922	Steel, zinc-plated	G 3/8	420 bar
FH083-AB3	3011427	Aluminium, anodized	G 3/8	245 bar
Other models on request				

## Seal kits

Code	Material	Part No.
FS083-N Seal kit	NBR	3054795
FS083-V Seal kit	FPM	2591059

## PERFORMANCE

Measured at  $v = 33 \text{ mm}^2/\text{s}$ ,  $T_{\text{oil}} = 46 \text{ }^\circ\text{C}$



## NOTE

The information in this brochure relates to the operating conditions and applications described. For applications or operating conditions not described, please contact the relevant technical department. Subject to technical modifications.

**HYDAC Fluidtechnik GmbH**  
Justus-von-Liebig-Str.  
**D-66280 Sulzbach/Saar**  
Tel: +49 (0)68 97 /509-01  
Fax: +49 (0)68 97 /509-598  
Email: flutec@hydac.com