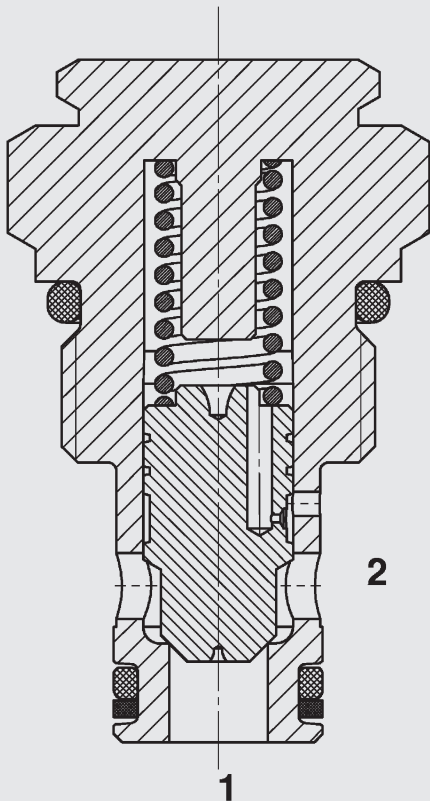




up to 38 l/min  
up to 350 bar

## FUNCTION



The check valve is a direct acting cone poppet type valve.  
When there is no flow through the valve, the spring holds the cone in the closed position and therefore shuts off port 2 from port 1. The valve opens when the pressure across port 1 is higher than the pressure across port 2, including the pressure created by the spring force.

## Check Valve Cone Poppet Type Direct Acting UNF Cartridge – 350 bar RV08A-51

### FEATURES

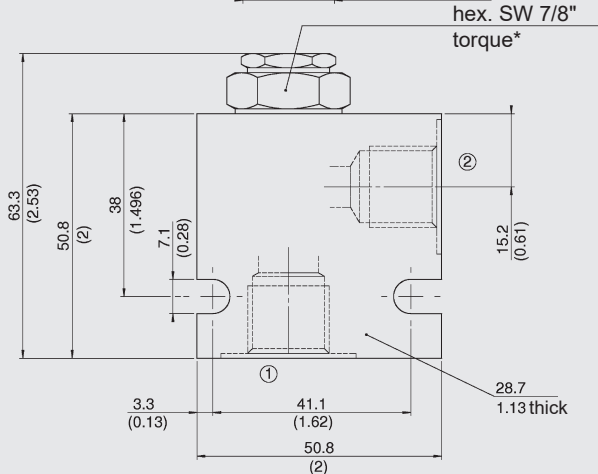
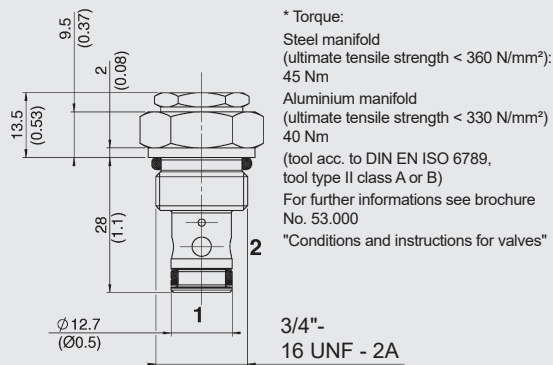
- Main application is to prevent uncontrolled movement or creeping of loaded cylinders and also to shut-off sections of the system
- Excellent stability throughout the entire flow range
- Improved abrasion resistance achieved by a guided and damped piston
- Exposed surfaces zinc-nickel plated for increased corrosion protection (1.000 h Salt spray test)

### SPECIFICATIONS\*

Operating pressure:	max. 350 bar
Nominal flow:	max. 38 l/min
Internal leakage:	max. 5 drops/min. (0,25 cm <sup>3</sup> /min.) at 350 bar
Opening pressure:	0.35 bar (others on request)
Media operating temperature range:	min. -30 °C to max. +100 °C
Ambient temp. range:	min. -30 °C to max. +100 °C
Operating fluid:	Hydraulic oil to DIN 51524 Part 1, 2 and 3
Viscosity range:	min. 10 mm <sup>2</sup> /s to max. 420 mm <sup>2</sup> /s
Filtration operating fluid: (according to ISO 4406)	≤ 210 bar: min. class 21/19/16 > 210 bar: min. class 20/18/15
MTTF <sub>d</sub> :	150 - 1200 years, according to DIN EN ISO 13849-1
Installation:	No orientation restrictions
Material:	Valve body: steel Piston: hardened and ground steel Seals: NBR (standard) FKM (optional, media temperature range -20 °C to +120 °C) Back-up rings: PTFE
Cavity:	FC08-2
Weight:	0.065 kg

\*see "hints and conditions for valves" in brochure 53.000

## DIMENSIONS



## MODEL CODE

**RV08A - 51 - C - N - 05**

### Basic model

Check valve, UNF

### Type

51 = cone poppet type

### Body and ports\*

C = Cartridge only

SB3 = G3/8 ports, steel body

AB3 = G3/8 ports, aluminium body

Versions with line bodies on request

### Seals

N = NBR (standard)

V = FKM

### Cracking pressure

0.5 = 0.35 bar (5 psi)

Others on request

## Standard models

Model code	Part No.
RV08A-51-C-N-05	3347912
RV08A-51-C-N-70	3347938

Other models on request

## \* Standard in-line bodies

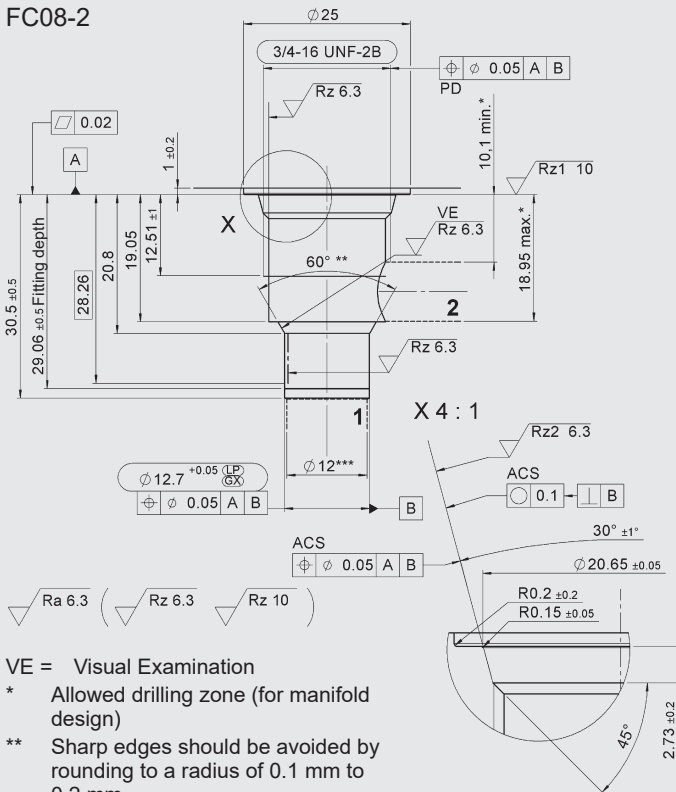
Code	Part No.	Material	Ports	Pressure
FH082-SB3	560919	Steel, zinc-plated	G3/8"	350 bar
FH082-AB3	3011423	Aluminium	G3/8"	210 bar

## Seal kits

Code	Material	Part No.
FS UNF 08/N	NBR	3651385
FS UNF 08/V	FKM	3651356

## CAVITY

FC08-2



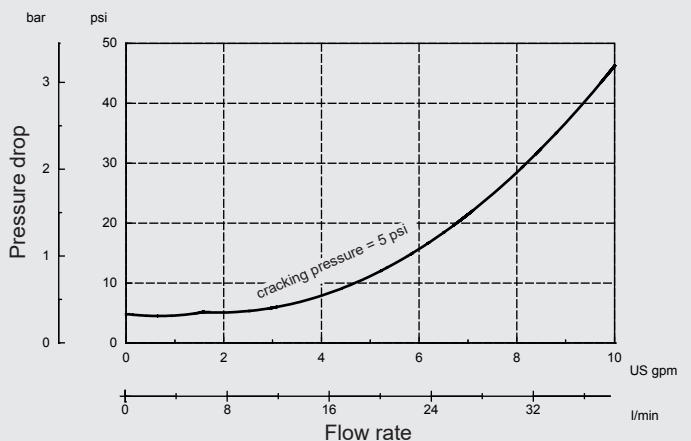
## Form tools

Tool	Part No.
Countersink	175473
Reamer	175474

millimeter (inch)  
 subject to technical modifications

## TYPICAL PERFORMANCE

measured at  $v = 34 \text{ mm}^2/\text{s}$ ,  $T_{\text{oil}} = 46 \text{ }^\circ\text{C}$



## NOTE

The information in this brochure relates to the operating conditions and applications described. For applications or operating conditions not described, please contact the relevant technical department. Subject to technical modifications.

## HYDAC Fluidtechnik GmbH

Justus-von-Liebig-Str.  
**D-66280 Sulzbach/Saar**  
 Tel: 0 68 97 /509-01  
 Fax: 0 68 97 /509-598  
 E-Mail: valves@hydac.com