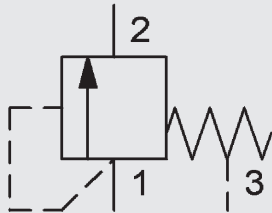
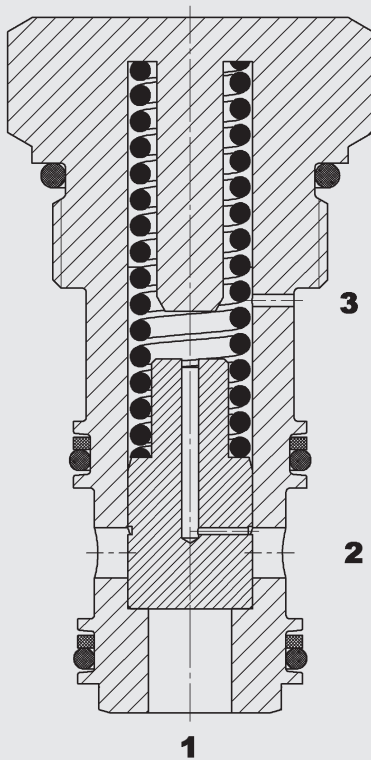


Pressure Relief Valve spool Type, direct-acting with spring chamber venting Metric Cartridge – 350 bar DB16621E-10



up to 100 l/min
up to 350 bar

FUNCTION



The pressure relief valve is a direct-acting, spool type valve with additional spring-chamber venting. When the pressure at port 1 exceeds the pre-set value, the spool opens and oil flows from port 1 to tank port 2. The additional spring chamber venting at port 3 to tank ensures that the valve is independent of pressures at port 2.

FEATURES

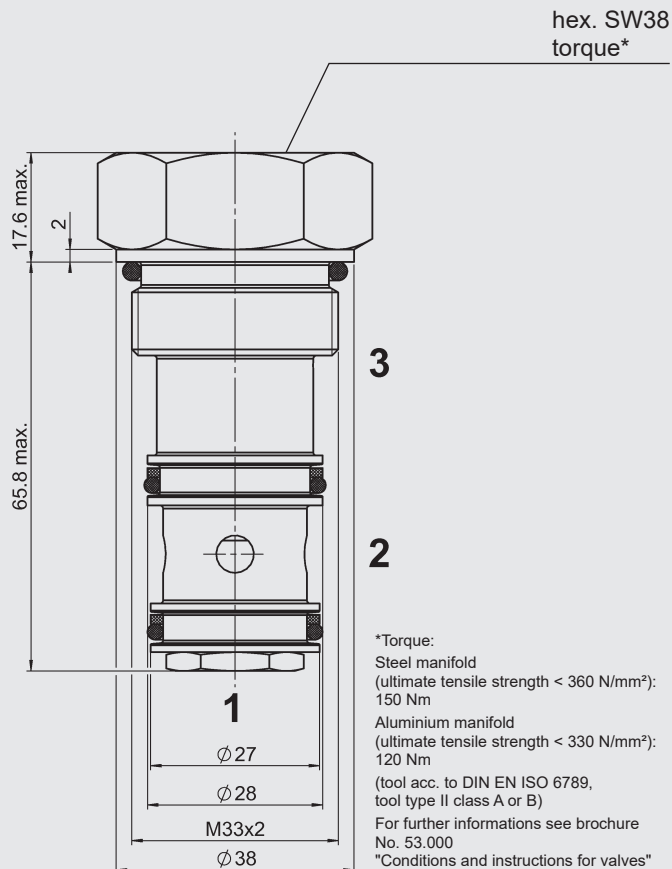
- Pressure relief function with external venting of spring chamber
- Good, flat curve characteristics throughout the flow range
- Can also be used as a logic element or unloader valve
- Spool orifice available as an option
- Exposed surfaces zinc-nickel plated for increased corrosion protection (1.000 h Salt spray test)

SPECIFICATIONS*

Operating pressure:	max. 350 bar
Spring force:	max. 16 bar
Nominal flow:	max. 100 l/min
Media operating temperature range:	min. -20 °C to max. +120 °C
Ambient temperature range:	min. -20 °C to max. +120 °C
Operating fluid:	Hydraulic oil to DIN 51524 part 1, 2 and 3
Viscosity range:	min. 7.4 mm ² /s to max. 420 mm ² /s
Filtration:	Class 21/19/16 according to ISO 4406 or cleaner
MTTF _d :	150 - 1200 years, according to DIN EN ISO 13849-1
Installation:	No orientation restrictions, preferably horizontal
Materials:	Valve body: high tensile steel Spool: hardened steel Seals: FKM (standard) NBR (optional, media temperature range -30 °C to +100 °C) Back-up rings: PTFE
Cavity:	16621
Weight:	0.386 kg

* see "Conditions and instructions for valves" in brochure 5.300

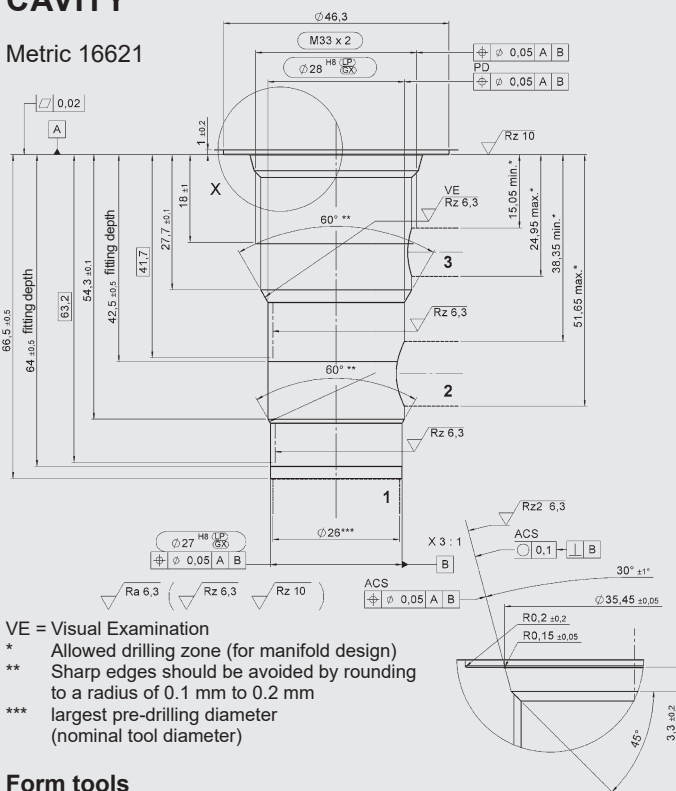
DIMENSIONS



Millimeter
Subject to technical modifications

CAVITY

Metric 16621



Millimeter
Subject to technical modifications

Form tools

Tool	Part No.
on request	

MODEL CODE

DB16621E - 10 - C - V - 16 F

Basic model

Pressure relief valve, metric

Type

10 = standard

Body and ports

C = cartridge only

*versions with body on request

Seals

V = FKM (standard)

N = NBR

Setting pressure range

16 = 16 bar

Type of adjustment

F = fixed setting, cannot be adjusted

Standard models

Model code	Part No.
DB16621E-10-C-V-16F	3979709

Other models on request

*Standard in-line bodies

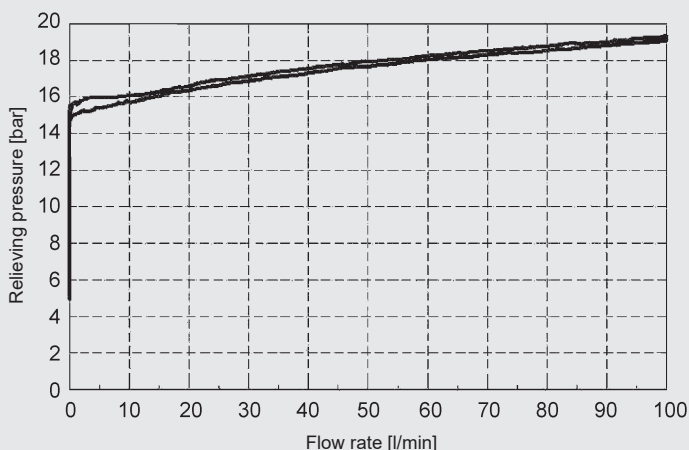
Code	Part No.	Material	Ports	Pressure
R16621-01X-01	3477778	Steel	G1", G1/4"	350 bar

Seal kits

Code	Part No.
SEAL KIT 16621-FKM	3178282
SEAL KIT 16621-NBR	3506920

TYPICAL PERFORMANCE

Measured at $v = 33 \text{ mm}^2/\text{s}$, $T_{oil} = 46 \text{ }^\circ\text{C}$



NOTE

The information in this brochure relates to the operating conditions and applications described. For applications and operating conditions not described, please contact the proper HYDAC department. Subject to technical modifications.

HYDAC Fluidtechnik GmbH

Justus-von-Liebig-Str.

D-66280 Sulzbach/Saar

Tel: 0 68 97 / 509-01

Fax: 0 68 97 / 509-598

E-Mail: valves@hydac.com