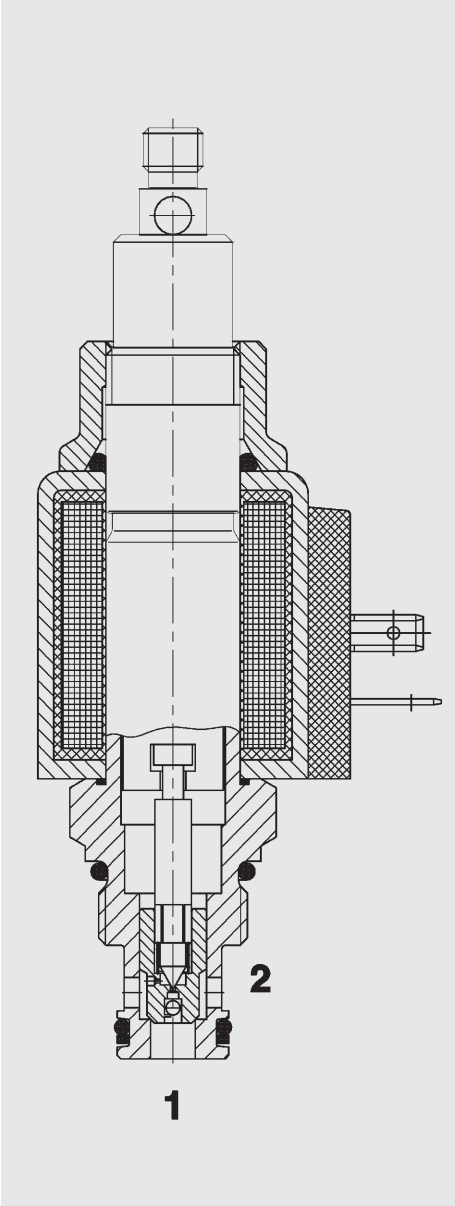


FUNCTION



When the solenoid coil is not energized, the valve is closed from port 2 to port 1. Flow is permitted from port 1 to port 2. When energized the valve allows flow in both directions.
Please mind: In pilot operated solenoid valves, shift performance and response times depend i.a. very much on pressure drop and volume flow during actuation.

2/2 Solenoid Directional Valve Poppet Type, Pilot Operated Spring-Return Manual Override Normally Closed (Reverse Flow) Metric Cartridge Valve – 350 bar WSM06020ZR-01J

FEATURES

- Coil seals protect the solenoid system
- Wide variety of connectors available
- Excellent switching performance by high power HYDAC solenoid
- Exposed surfaces zinc-nickel plated for increased corrosion protection (1.000 h Salt spray test)

SPECIFICATIONS*

Operating pressure:	max. 350 bar
Nominal flow:	max. 40 l/min
Internal leakage:	Leakage-free max. 5 drops/min (0.25 cm ³ /min) at 350 bar
Media operating temperature range:	min. -20 °C to max. +100 °C
Ambient temperature range:	min. -20 °C to max. + 60 °C
Manual override:	The pull-force required is dependent on the operating pressure max. approx. 150 N The max. permitted pull-force is 180 N
Operating fluid:	Hydraulic oil to DIN 51524 part 1, 2 and 3
Viscosity range:	min. 10 mm ² /s to max. 420 mm ² /s
Filtration:	Class 21/19/16 according to ISO 4406 or cleaner
MTTF _d :	150 - 1200 years, according to DIN EN ISO 13849-1
Installation:	No orientation restrictions
Materials:	Valve body: free-cutting steel Poppet: hardened and ground steel Seals: NBR (standard) FKM (optional, media temperature range -20 °C to +120 °C) Back-up rings: PTFE Coil: steel / polyamide
Cavity:	06020
Weight:	valve complete: 0.36 kg coil only: 0.19 kg

Electrical data

Type of voltage:	DC: direct current solenoid AC: alternating current solenoid with a bridge rectifier built into the coil
Current draw at 20 °C:	1.5 A at 12 V DC 0.8 A at 24 V DC
Voltage tolerance:	± 15 % of the nominal voltage
Coil duty rating:	Continuous up to max. 115 % of the nominal voltage at 60 °C ambient temperature
Response time: (at p _{max} , Q _{max} , v = 34 mm ² /s)	energized: approx. 35 ms de-energized: approx. 50 ms substantially extended response times possible at other operating conditions
Coil type:	Coil...-40-1836

* see "Conditions and instructions for valves" in brochure 53.000

