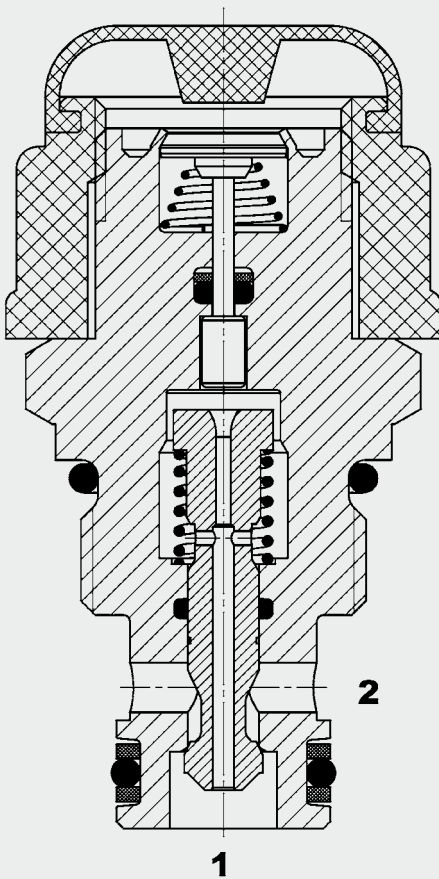


Up to 20 l/min
Up to 250 bar

FUNCTION



The directional valve WSM06020W...M is a normally closed, manually operated poppet valve.

The valve is operated manually and, as long as the mechanical plunger is pressed, allows flow between port 1 and port 2 in both directions.

2/2 Directional Poppet Valve Manually Operated, Normally Closed Metric Cartridge – 250 bar WSM06020W...M

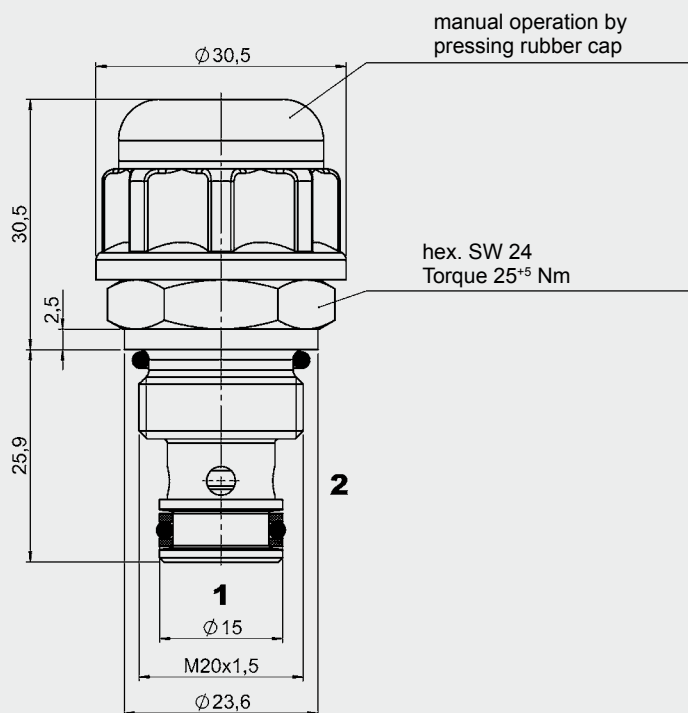
FEATURES

- For use in systems to be controlled manually
- External surfaces zinc-plated and corrosion-proof
- Hardened and ground internal valve components to ensure minimal wear and extended service life
- Low pressure drop due to CFD optimized flow path

SPECIFICATIONS

Operating pressure	max. 250 bar
Nominal flow:	max. 20 l/min
Operating force:	Thumb pressure (approx. 40 - 70 N)
Internal leakage:	Leakage-free
Media operating temperature range:	min. -30 °C to max. +100 °C
Ambient temperature range:	min. -30 °C to max. +100 °C
Operating fluid:	Hydraulic oil to DIN 51524 Part 1 and 2
Viscosity range:	min. 7.4 mm ² /s to max. 420 mm ² /s
Filtration:	Class 21/19/16 according to ISO 4406 or cleaner
MTTF _d :	150 years (see "Conditions and instructions for valves" in brochure 5.300)
Installation:	No orientation restrictions
Materials:	Valve body: high tensile steel Poppet: hardened and ground steel Seals: NBR (standard) FKM (optional, media temperature range -20 °C to +120 °C) Back-up rings: PTFE
Cavity:	06020 metric
Weight:	0.09 kg

DIMENSIONS



MODEL CODE

WSM06020W - 01 - C - N - M

Basic model _____
Directional poppet valve, metric

Type _____
01 = standard

Body and ports _____
C = cartridge

Seals _____
N = NBR (standard)
V = FPM

Type of operation _____
M = manual

Standard models

Model code	Part No.
WSM06020W-01-C-N-M	3059183

Other models on request

Standard in-line bodies

Code	Part No.	Material	Ports	Pressure
R06020-01X-01	275266	Steel, zinc-plated	G 3/8	420 bar
R06020-10X-01	276842	Steel, zinc-plated	G 3/8	420 bar

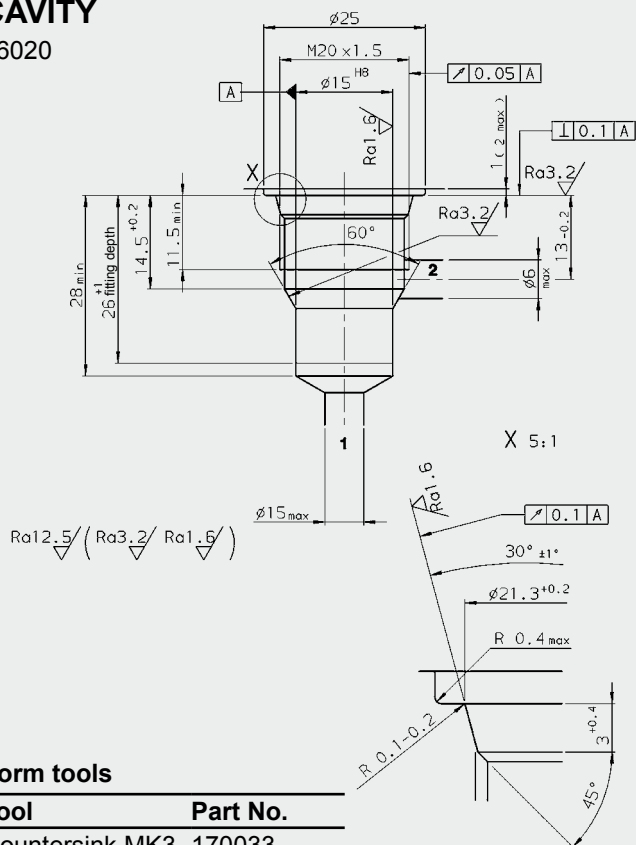
Other line bodies on request

Seal kits

Code	Part No.
SEAL KIT 06020-NBR	3119017
SEAL KIT 06020-FKM	3262477

CAVITY

06020



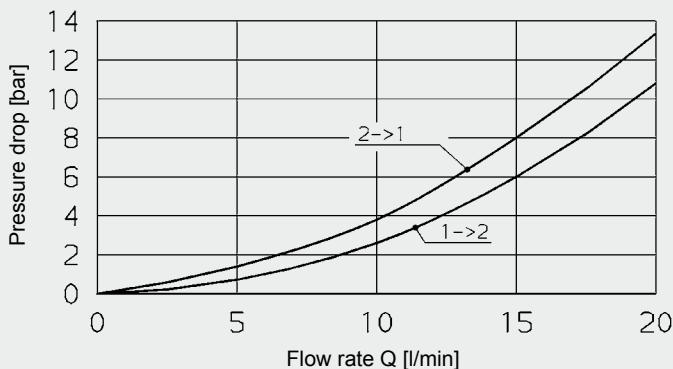
Form tools

Tool	Part No.
Countersink MK3	170033
Reamer MK2	1000768

millimeter
subject to technical modifications

PERFORMANCE

Measured at $v = 33 \text{ mm}^2/\text{s}$, $T_{\text{oil}} = 46 \text{ }^\circ\text{C}$



Note

The information in this brochure relates to the operating conditions and applications described. For applications or operating conditions not described, please contact the relevant technical department.
Subject to technical modifications.

HYDAC Fluidtechnik GmbH
Justus-von-Liebig-Str.
D-66280 Sulzbach/Saar
Tel: 0 68 97 /509-01
Fax: 0 68 97 /509-598
E-Mail: flutec@hydac.com