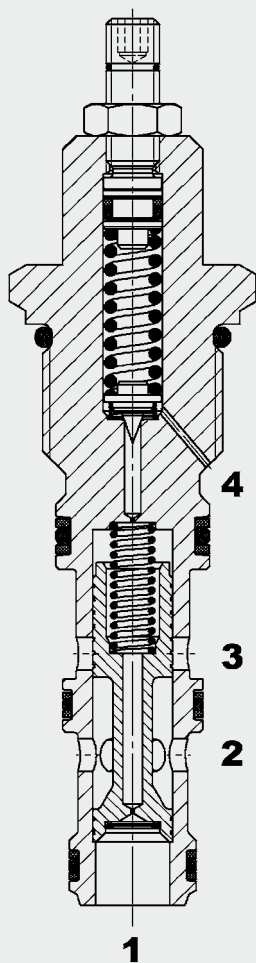


Up to 200 l/min
Up to 350 bar

FUNCTION



The pressure sequence valve DZM12131PE is a pilot-operated, spring-loaded spool valve with a pilot drain at port 4. This means that pressures across port 3 have no influence on the pressure setting. If the pressure at port 1 exceeds the pre-set spring tension, the pilot stage opens and oil flows from behind the main piston to tank port 4. The resulting pressure differential causes the main piston to move against the reset spring and allows oil to flow from port 2 to port 3 or vice versa.

FEATURES

- To connect additional consumers once certain pressures are reached
- Excellent dynamic performance
- Excellent stability throughout the entire flow range
- External surfaces zinc-plated and corrosion-proof
- Hardened and ground internal valve components to ensure minimal wear and extended service life
- Low pressure drop due to CFD optimized flow path
- Adjustable throughout flow range
- Various pressure ranges up to 350 bar

SPECIFICATIONS

Operating pressure:	max. 350 bar
Nominal flow:	max. 200 l/min
Pressure setting ranges:	35 bar / 60 bar / 125 bar / 230 bar / 350 bar
Sequence pressure tolerance:	+/- 5 bar
Media operating temperature range:	min. -30 °C to max. +100 °C
Ambient temperature range:	min. -30 °C to max. +100 °C
Operating fluid:	Hydraulic oil to DIN 51524 Part 1 and 2
Viscosity range:	min. 2.8 mm ² /s to max. 800 mm ² /s
Filtration:	Class 21/19/16 according to ISO 4406 or cleaner
MTTF _d :	150 years (see "Conditions and instructions for valves" in brochure 5.300)
Installation:	No orientation restrictions
Materials:	Valve body: steel
	Spool: hardened and ground steel
	Seals: NBR (standard) FKM (optional, media temperature range -20 °C to +120 °C)
	Back-up rings: PTFE
Cavity:	12131
Weight:	0.3 kg

MODEL CODE

DZM 12131 PE - 01 - C - N - 230 V 060

Basic model

Pressure sequence valve,
metric

Cavity

12131 = 3-way cavity

Function

PE = pilot-operated
with pilot drain

Type

01 = standard

Body and ports

C = cartridge only

Seals

N = NBR (standard)

V = FKM (optional)

Pressure range

035 = up to 35 bar

060 = up to 60 bar

125 = up to 125 bar

230 = up to 230 bar

350 = up to 350 bar

Type of adjustment

V = adjustable using tool

Other types of adjustment on request

Cracking pressure setting

No details = no setting, spring relaxed

060 = specific cracking pressure

Other cracking pressures on request

Standard models

Model code	Part No.
DZM12131PE-01-C-N-035V019	3194780
DZM12131PE-01-C-N-230V060	3363310
DZM12131PE-01-C-N-230V175	3309451
DZM12131PE-01-C-N-230V	3586934

Other models on request

*Standard in-line bodies

Code	Part No.	Material	Ports	Pressure
R12131-01X-01	3195406	steel	3/4, 3/8	420 bar

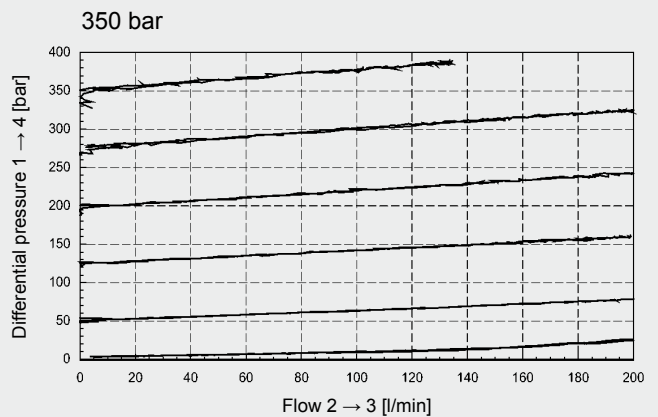
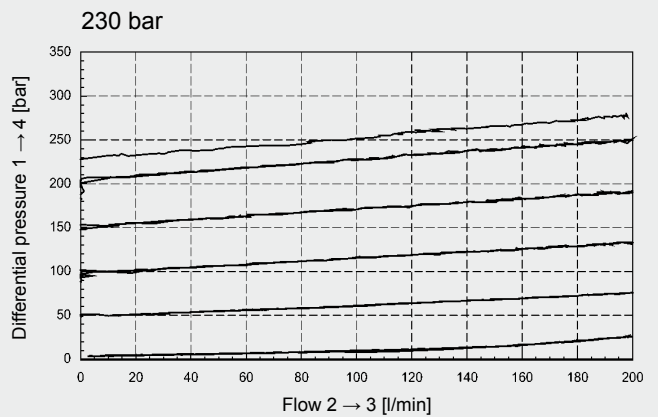
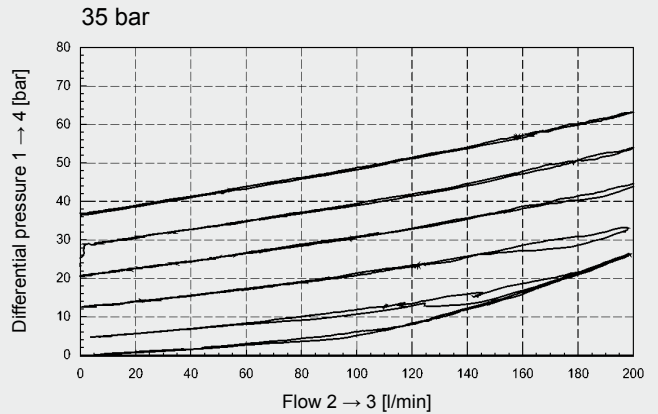
Other bodies on request

Seal kits

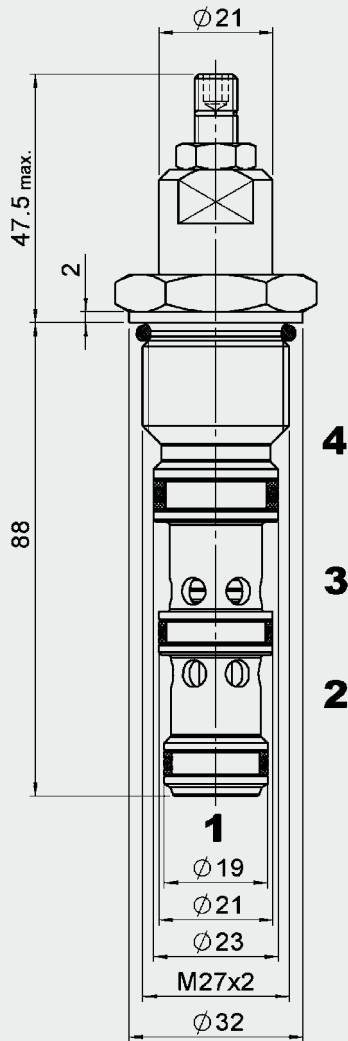
Code	Part No.
On request	

PERFORMANCE

Measured at $T_{oil} = 46\text{ °C}$, $v = 34\text{ mm}^2/\text{s}$



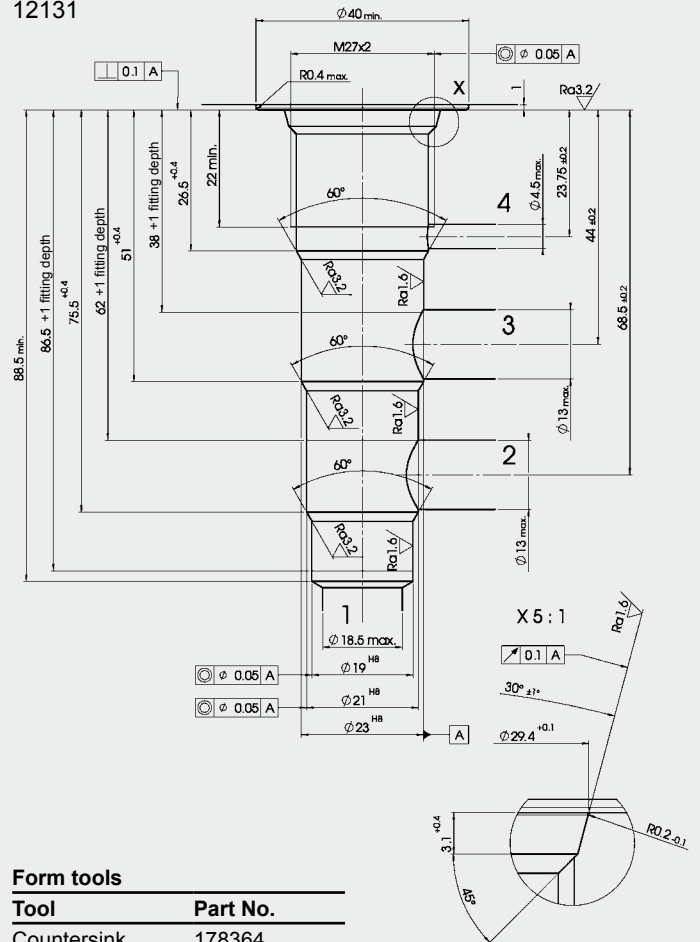
DIMENSIONS



Millimeter
Subject to technical modifications.

CAVITY

12131



Form tools

Tool	Part No.
Countersink	178364
Reamer	In preparation
Tap	In preparation
Plug gauge	In preparation

Millimeter
Subject to technical modifications.

NOTE

The information in this brochure relates to the operating conditions and applications described.
For applications and operating conditions not described, please contact the relevant technical department.
Subject to technical modifications.

HYDAC Fluidtechnik GmbH
Justus-von-Liebig-Str.
D-66280 Sulzbach/Saar
Tel: 0 68 97 / 509-01
Fax: 0 68 97 / 509-598
E-Mail: flutec@hydac.com

