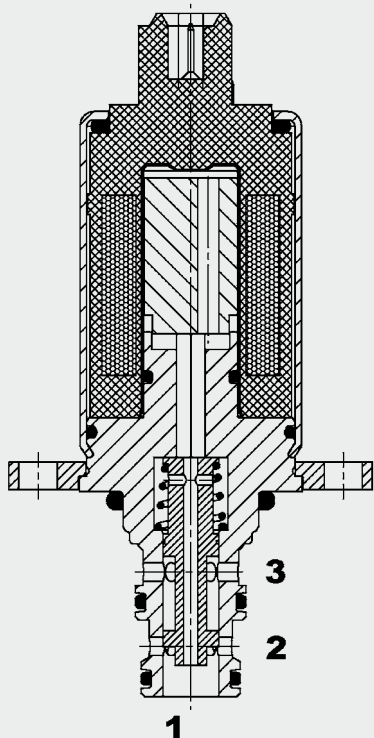


Up to 25 l/min
Up to 60 bar

3/2 Solenoid Directional Valve Spool Type Direct Acting Normally Open Slip-In – 60 bar WKC05S30C

FUNCTION



FEATURES

- Compact design (slip-in valve)
- Excellent dynamic performance
- Low pressure drop due to CFD optimized flow path
- Excellent stability throughout the entire flow range
- External surfaces corrosion-proof
- Coil seals protect the solenoid system
- Hardened and ground internal valve components to ensure minimal wear and extended service life
- High switching capacity with compact design

SPECIFICATIONS

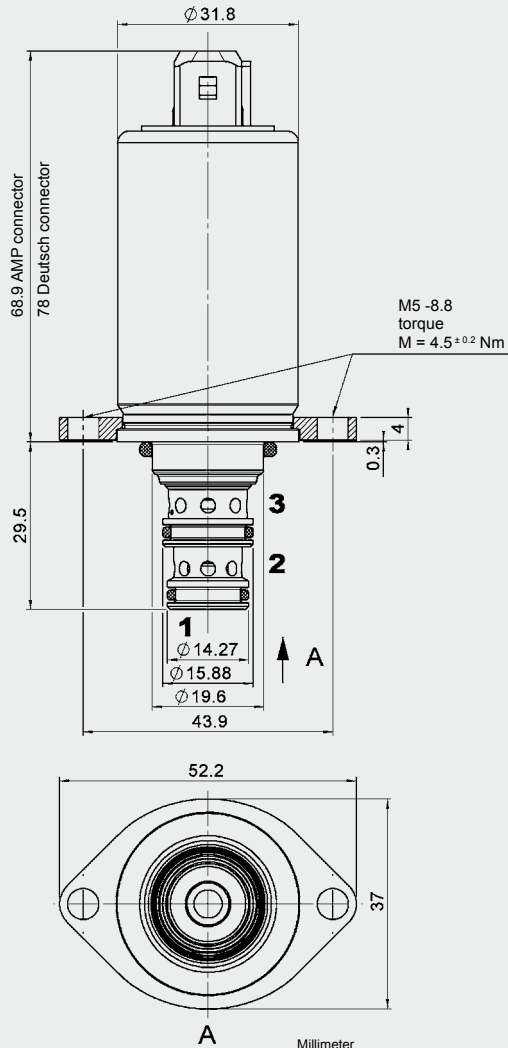
Operating pressure:	Max. 60 bar at port 2 and 3
Tank pressure at port 1: (Should be piped separately to tank)	Max. 10 bar dynamic
Nominal flow:	max. 25 l/min
Internal leakage:	60 ml/min (to the tank port 1) at maximum pressure
Pressure drop:	≈ 6 bar at 25 l/min
Media operating temperature range:	min. -30 °C to max. +105 °C
Ambient temperature range:	min. -30 °C to max. +80 °C
Operating fluid:	Hydraulic oil to DIN 51524 Part 1 and 2
Viscosity range:	min. 10 mm ² /s to max. 420 mm ² /s
Filtration:	Class 21/19/16 according to ISO 4406 or cleaner
MTTF d:	150 years (see "Conditions and instructions for valves" in brochure 5.300)
Installation:	No orientation restrictions
Materials:	Valve body: steel Spool: hardened and ground steel Seals: NBR (standard) FKM (optional, media temperature ranges -20 °C to +120 °C)
Cavity	05S30 Slip-In
Weight:	0.27 kg

Electrical data:

Coil duty rating:	Continuous
Type of voltage:	DC solenoid
Current draw at 20 °C:	2.3 A 5.2 Ohm (12 V DC) 1.1 A 21.2 Ohm (24 V DC)
Voltage tolerance:	± 15 % of nominal voltage
Response time:	On: approx. 30 ms, Off: approx. 30 ms

The solenoid directional valve WKC05S30C is a direct-acting, spool type valve. When de-energized there is flow from port 2 (consumer) to port 1 (tank). Port 3 (pump) is closed. When energized, there is flow from port 3 to port 2. Port 1 is closed.

DIMENSIONS



Millimeter
Subject to technical modifications

MODEL CODE

WKC 05S30 C - 01 - C - N - 12 DU01

Basic model ————
Directional spool valve, compact

Cavity ————
05S30 = slip-in

Function code ————
C = symbol C

Type ————
01 = standard

Body and ports ————
C = slip-in only

Seals ————
N = NBR (standard)
Others on request

Coil voltage ————
DC:12 = 12 Volt (5.2 Ohm)
24 = 24 Volt (21.2 Ohm)

Coil connectors ————
DN = Deutsch connector, 2-pole, axial
DU = AMP Junior Timer, 2-pole, axial
DU01 = AMP Junior Timer, 2-pole, axial, with anti-surge diode

Standard models

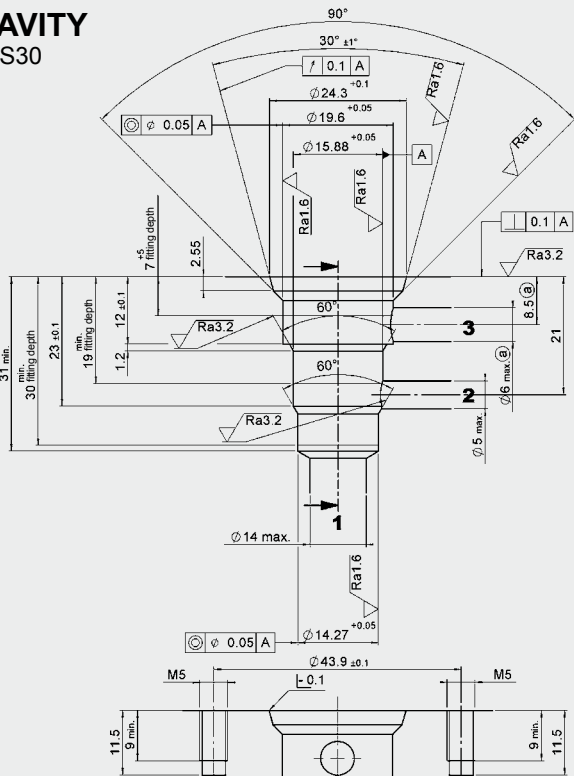
Model code	Part No.
WKC05S30C-01-C-N-12DU	3376841
WKC05S30C-01-C-N-24DU	3376842
WKC05S30C-01-C-N-12DN	3490508
WKC05S30C-01-C-N-24DN	3490476

Standard in-line bodies

Code	Part No.	Material	Ports	Pressure
In preparation				

CAVITY

05S30



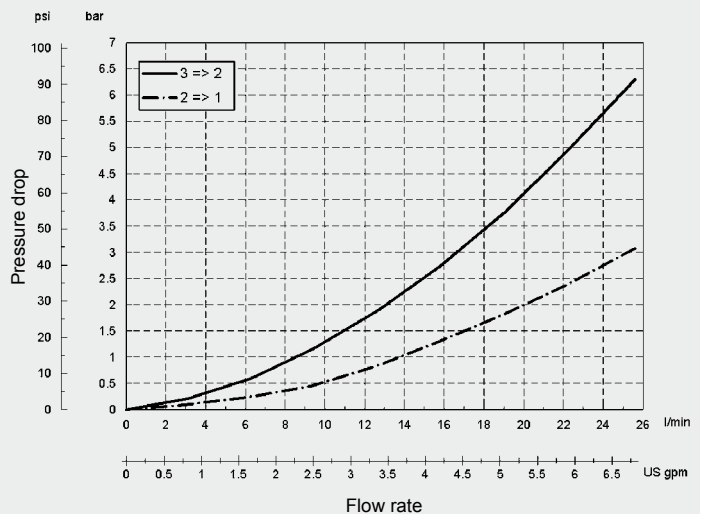
Millimeter
Subject to technical modifications

Form tools

Tool	Part No.
Countersink	178202
Reamer	178203

PERFORMANCE

Measured at
 $v = 33 \text{ mm}^2/\text{s}$,
 $T_{\text{oil}} = 46 \text{ C}$



NOTE

The information in this brochure relates to the operating conditions and applications described. For applications and operating conditions not described, please contact the proper HYDAC department.
Subject to technical modifications.

HYDAC Fluidtechnik GmbH
Justus-von-Liebig-Str.
D-66280 Sulzbach/Saar
Tel: 0 68 97 / 509-01
Fax: 0 68 97 / 509-598
E-Mail: flutec@hydac.com