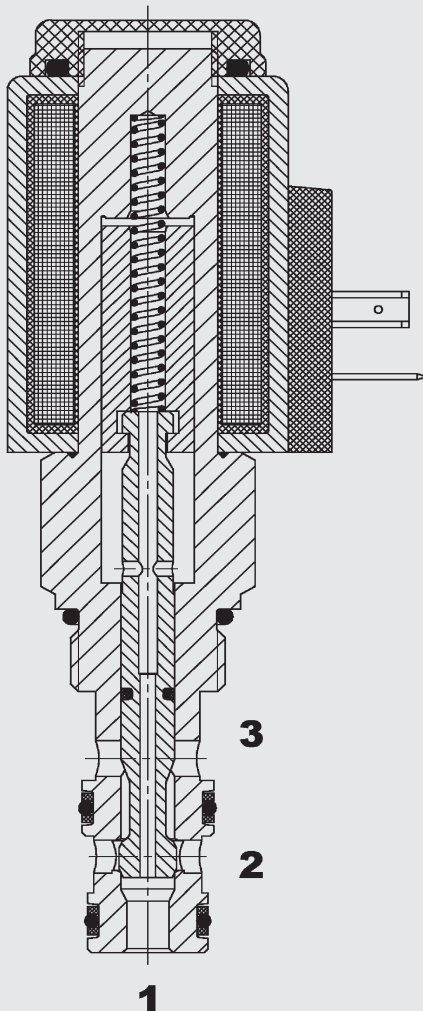


up to 22 l/min
up to 350 bar

FUNCTION



When de-energized, there is free flow through the valve from port 2 to 3. Port 1 is closed.

When energized, there is free flow through the valve from port 1 to 2. Port 3 is closed.

3/2 Solenoid Directional Valve Poppet type, direct-acting Metric Cartridge – 350 bar

WSM08130C -01

FEATURES

- Coil seals protect the solenoid system
- Wide variety of connectors available
- Excellent switching performance by high power HYDAC solenoid
- Exposed surfaces zinc-nickel plated for increased corrosion protection (1.000 h Salt spray test)

SPECIFICATIONS*

Operating pressure:	max. 350 bar	
Nominal flow:	max. 22 l/min	
Internal leakage:	leakage-free, max. 5 drops (0,25 cm ³ /min) at 350 bar	
Media operating temperature range:	min. -20 °C to max. +100 °C	
Ambient temperature range:	min. -20 °C to max. + 60 °C	
Operating fluid:	Hydraulic oil to DIN 51524 part 1, 2 and 3	
Viscosity range:	min. 7.4 mm ² /s to max. 420 mm ² /s	
Filtration: (according to ISO 4406)	< 210 bar: min. class 20/18/15 > 210 bar: min. class 18/16/13	
MTTF _d :	150 - 1200 years, according to DIN EN ISO 13849-1	
Installation:	No orientation restrictions	
Material:	Valve body:	free-cutting steel
	Poppet:	hardened and ground steel
	Seals:	NBR (standard) FKM (optional, media temperature range -20 °C to +120 °C)
	Back-up rings:	PTFE
	Coil:	steel / polyamide
Cavity:	08130 metric	
Weight:	Valve complete:	0.49 kg
	Coil only:	0.19 kg

Electrical data

Response time: (at p _{max} , Q _{max} , v = 33 mm ² /s)	energized:	approx. 30 ms
	de-energized:	approx. 20 ms
substantially extended response times possible at other operating conditions		

Type of voltage: DC: direct current solenoid
AC: alternating current solenoid with a bridge rectifier built into the coil

Current draw at 20 °C:
2.22 A at 12 V DC
1.13 A at 24 V DC

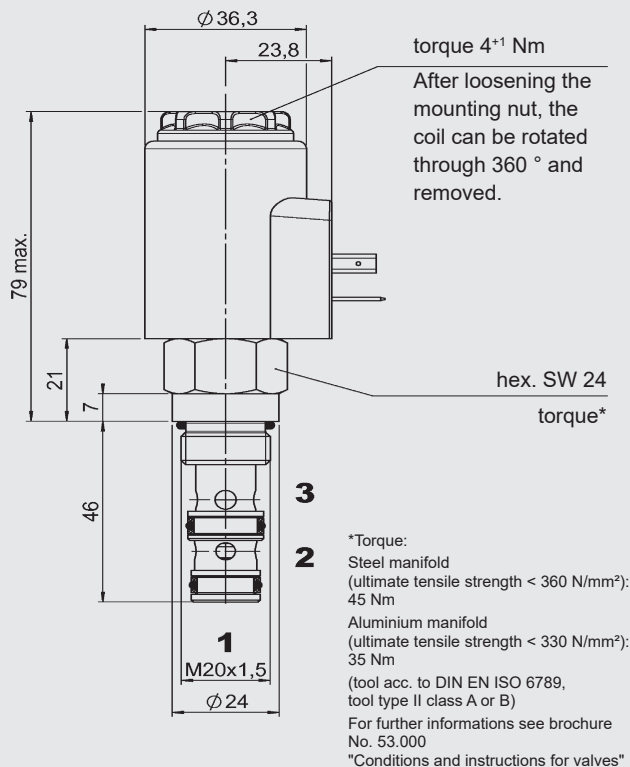
Voltage tolerance: ± 15 % of nominal voltage

Coil duty rating: Continuous up to max. 115% of the nominal voltage at max. 60° C ambient temperature

Coil type: Coil...-50-1836

* see "Conditions and instructions for valves" in brochure 53.000

DIMENSIONS



MODEL CODE

WSM08130C - 01 - C - N - 24 DG

Basic model

Directional poppet valve, metric

Type

01 = standard

Body and ports*

C = cartridge only

Seals

N = NBR (standard)

V = FKM

Coil voltage

DC voltages

12 = 12 V DC

24 = 24 V DC

AC voltages (bridge rectifier built into the coil)

115 = 115 V AC

230 = 230 V AC

Other voltages on request

Coil connectors (type 50-1836)

DC: DG = DIN connector type A to EN 175301-803

DK = KOSTAL threaded connection M27x1

DL = 2 flying leads, 457 mm long, 0.75 mm²

DN = Deutsch connector, 2-pole, axial

DT = AMP Junior Timer, 2-pole, radial

AC: AG = DIN connector type A to EN 175301-803

Other connectors on request

Standard models

Model code	Part No.
WSM08130C-01-C-N-12DG	3374096
WSM08130C-01-C-N-24DG	3374097
WSM08130C-01-C-N-230AG	3374098

Other bodies on request

*Standard in-line bodies

Code	Part No.	Material	Ports	Pressure
R08130-01X-01	394488	Steel, zinc-plated	G"3/8	350 bar
R08130-01X-02	394378	Steel, zinc-plated	M14 x 1.5	350 bar

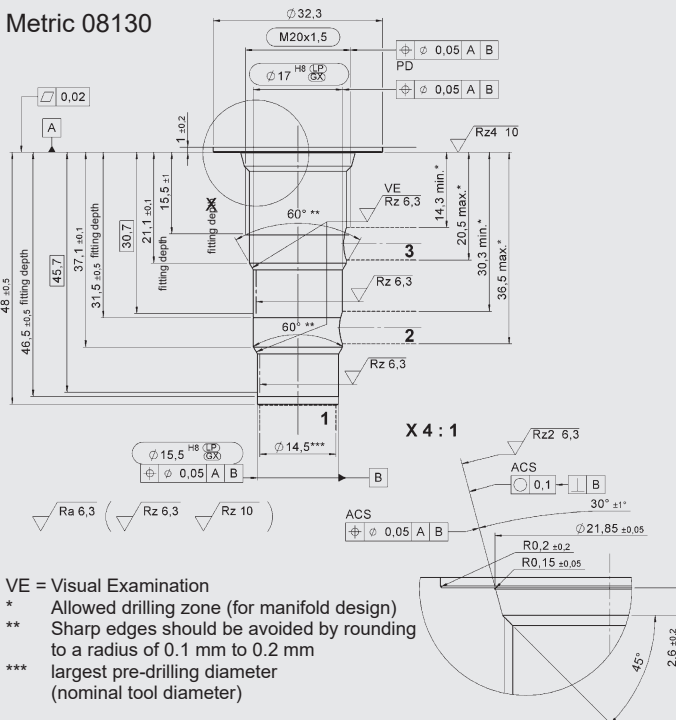
Other bodies on request

Seal kits

Code	Part No.
FS METRISCH 081../N	3651271
FS METRISCH 081../V	3651292

CAVITY

Metric 08130



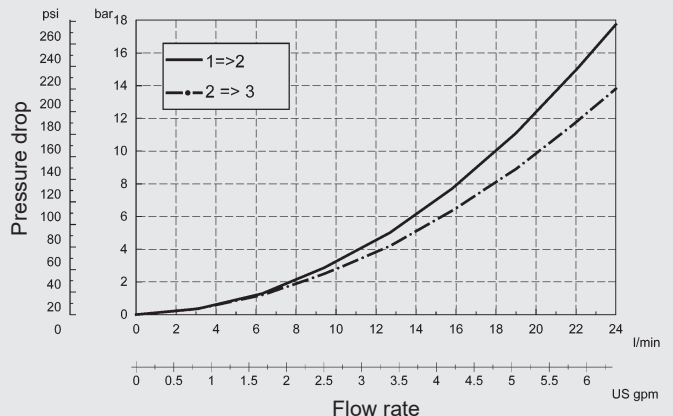
Form tools

Tool	Part No.
Countersink (shank MK3)	169265
Reamer (shank MK2)	163639

millimeter
subject to technical modifications

TYPICAL PERFORMANCE

Measured at $v = 33 \text{ mm}^2/\text{s}$, $T_{\text{oil}} = 46 \text{ }^\circ\text{C}$



NOTE

The information in this brochure relates to the operating conditions and applications described. For applications or operating conditions not described, please contact the relevant technical department.
Subject to technical modifications.

HYDAC Fluidtechnik GmbH

Justus-von-Liebig-Str.

D-66280 Sulzbach/Saar

Tel: 0 68 97 /509-01

Fax: 0 68 97 /509-598

E-Mail: valves@hydac.com