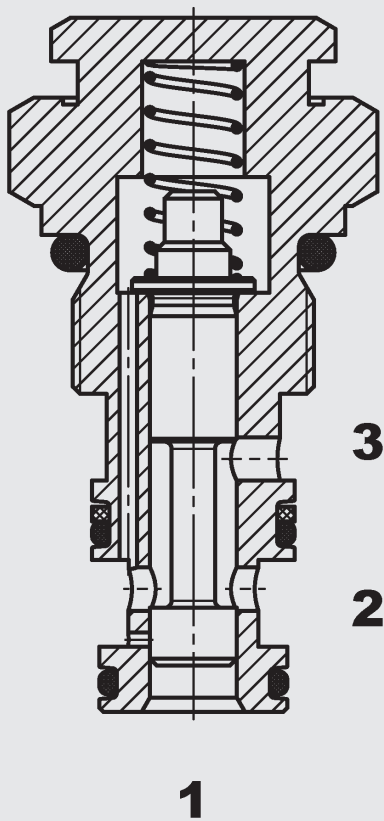


up to 15 l/min  
up to 350 bar

## 3/2-Directional Spool Valve Hydraulically operated Direct-acting Metric Cartridge – 350 bar WKH05330

### FUNCTION



The spool valve is a hydraulically operated, 3/2-directional valve. Pump port 1 is closed in the normal position. There is free flow through the valve from port 2 (consumer) to port 3 (tank) (pressureless circulation).

With an increase in pressure at port 1 (hydraulic operation) against the spring force, the valve opens from pump port 1 to port 2 after exceeding the switching pressure. Tank port 3 is then closed.

A pressure at port 3 is added to the necessary switching pressure defined by the spring at port 1.

### FEATURES

- Excellent stability throughout the entire flow range
- Variants with different switching pressures available
- Exposed surfaces zinc-nickel plated for increased corrosion protection (1.000 h Salt spray test)

### SPECIFICATIONS\*

Operating pressure:	max. 350 bar
Nominal flow:	max. 15 l/min
Internal leakage:	max. 120 cm <sup>3</sup> /min at 350 bar and 36 mm <sup>2</sup> /s
Media operating temperature range:	min. -20 °C to max. +120 °C
Ambient temperature range:	min. -20 °C to max. +120 °C
Operating fluid:	Hydraulic oil to DIN 51524 part 1, 2 and 3
Viscosity range:	min. 10 mm <sup>2</sup> /s to max. 420 mm <sup>2</sup> /s
Filtration:	Class 21/19/16 according to ISO 4406 or cleaner
MTTF <sub>d</sub> :	150 - 1200 years, according to DIN EN ISO 13849-1
Installation:	No orientation restrictions
Material:	Valve body: free-cutting steel Spool: hardened and ground steel
	Seals: FKM Back-up rings: PTFE
Cavity:	05330 metric
Weight:	approx. 0.065 kg

\* see "Conditions and instructions for valves" in brochure 53.000

