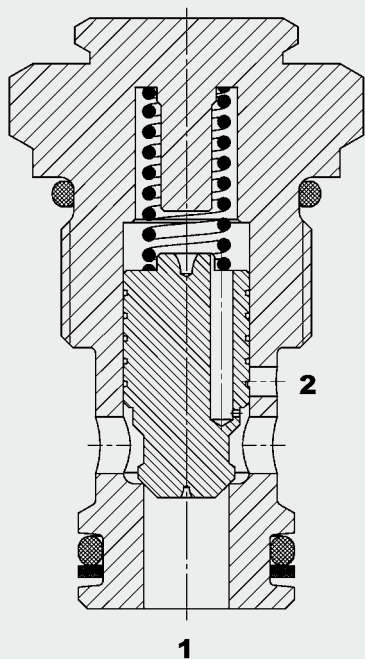




Up to 100 bar  
Up to 350 l/min

## FUNCTION



The RVM06020-51 is a direct-acting, spring-loaded, poppet check valve. When there is no flow through the valve, the spring holds the cone poppet in the closed position and therefore shuts off port 2 from port 1. The valve opens when the pressure at port 1 is higher than the pressure at port 2, including the pressure created by the spring force.

## Check Valve Poppet Type Metric Cartridge – 350 bar RVM10120-51

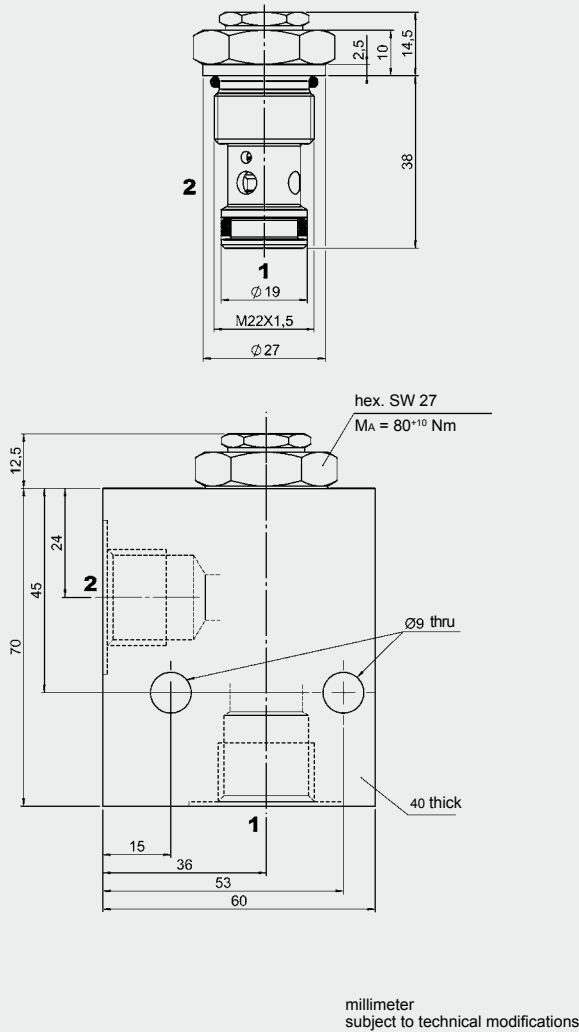
### FEATURES

- High performance version for high cycle rate
- Main application is to prevent uncontrolled movement or creeping of loaded cylinders and also to shut-off sections of the system
- External surfaces zinc-plated
- Hardened and ground valve components to ensure minimal wear and extended service life
- Improved wear resistance, achieved by a guided and dampened piston

### SPECIFICATIONS

Operating pressure:	max. 350 bar
Nominal flow:	max. 100 l/min
Internal leakage:	leakage-free (max. 5 drops $\cong$ 0,25 cm <sup>3</sup> /min at 350 bar)
Cracking pressure:	0.5 bar (others on request)
Media operating temperature range:	min. -30 °C to max. +100 °C
Ambient temperature range:	min. -30 °C to max. +100 °C
Operating fluid:	Hydraulic oil to DIN 51524 Part 1 and 2
Viscosity range:	min. 2.8 mm <sup>2</sup> /s to max. 800 mm <sup>2</sup> /s
Filtration:	Class 21/19/16 according to ISO 4406 or cleaner
MTTF <sub>d</sub> :	150 years (see "Conditions and instructions for valves" in brochure 5.300)
Installation:	No orientation restrictions
Material:	Valve body: free-cutting steel Poppet: hardened and ground steel Seals: NBR (standard) FKM (optional, media temperature range -20 °C to +120 °C) Back-up rings: PTFE
Cavity:	10120
Weight:	0.12 kg

## DIMENSIONS



## MODEL CODE

**RVM 10120 - 51 - C - N - 0.5**

**Basic model** \_\_\_\_\_  
Check valve, metric

**Cavity** \_\_\_\_\_  
10120 = 2-way cavity

**Type** \_\_\_\_\_  
51 = poppet, optimized for high cycle rate

**Body and ports** \_\_\_\_\_  
C = cartridge

**Seals** \_\_\_\_\_  
N = NBR (standard)  
V = FKM (optional)

**Cracking pressure** \_\_\_\_\_  
0.5 = 0.5 bar  
Others on request

## Standard models

Model code	Part No.
RVM10120-51-C-N-0.5	3420466

## Standard in-line bodies

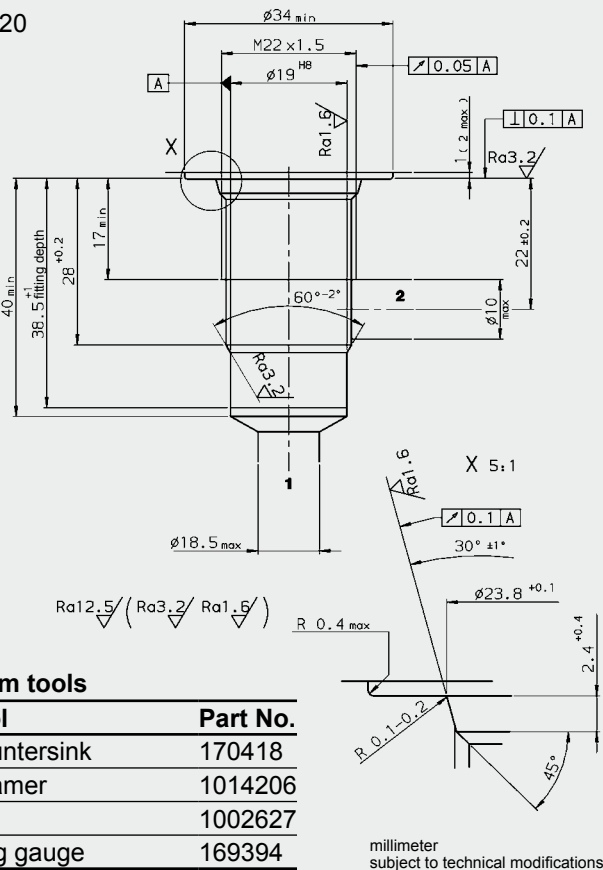
Code	Part No.	Material	Ports	Pressure
R10120-01X-01	395234	Steel, zinc-plated	G 1/2	420 bar
R10120-01X-02	395235	Steel, zinc-plated	M22x1.5	420 bar

## Seal kits

Code	Material	Part No.
SEAL KIT 10120-NBR	NBR	3382346
SEAL KIT 10120-FKM	FKM	3178281

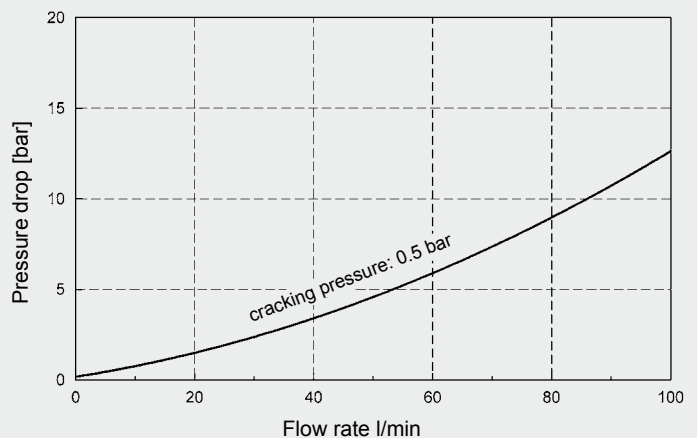
## CAVITY

10120



## PERFORMANCE

Measured at  $v = 34 \text{ mm}^2/\text{s}$ ,  $T_{\text{oil}} = 46 \text{ }^\circ\text{C}$



## Note

The information in this brochure relates to the operating conditions and applications described. For applications or operating conditions not described, please contact the relevant technical department.  
Subject to technical modifications.

**HYDAC Fluidtechnik GmbH**  
Justus-von-Liebig-Str.  
**D-66280 Sulzbach/Saar**  
Tel: 0 68 97 /509-01  
Fax: 0 68 97 /509-598  
E-Mail: flutec@hydac.com