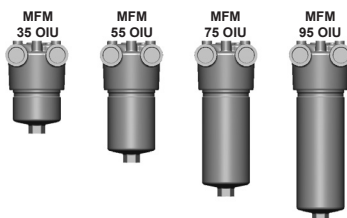




Inline Filter MFM

Inlet and Outlet on Same Side

up to 100 l/min, up to 280 bar



1. TECHNICAL SPECIFICATIONS

1.1 FILTER HOUSING

Construction

The filter housings are designed in accordance with international regulations. They consist of a filter head and a screw-in filter bowl.

Standard equipment:

- bypass valve
- without clogging indicator port (3 mounting holes)
- filters are supplied phosphated and primed

1.2 FILTER ELEMENTS

HYDAC filter elements are validated and their quality is constantly monitored according to the following standards:

- ISO 2941, ISO 2942, ISO 2943, ISO 3724, ISO 3968, ISO 11170, ISO 16889

Filter elements are available with the following pressure stability values:

Optimicon® (ON): 20 bar
Other filtration ratings on request.

1.3 SEALS

Perbunan (=NBR)

1.4 INSTALLATION

Inline filter

1.5 SPECIAL MODELS AND ACCESSORIES

Connection for a clogging indicator in the head

1.6 FILTER SPECIFICATIONS

Nominal pressure	280 bar
Temperature range	-10 °C to +100 °C (-30 °C to -10 °C: p _{max} = 140 bar)
Material of filter head	EN-GJS 400-15
Material of filter bowl	Cold extruded steel
Type of clogging indicator	VD (differential pressure measurement up to 420 bar operating pressure)
Pressure setting of the clogging indicator	5 bar (others on request)
Bypass cracking pressure	7 bar (others on request)

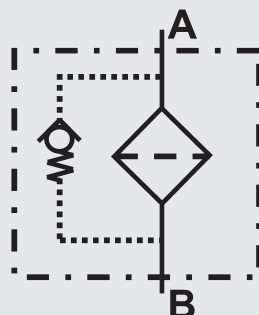
1.7 COMPATIBILITY WITH HYDRAULIC FLUIDS ISO 2943

- Hydraulic oils H to HLPD DIN 51524
- Lubrication oils DIN 51517, API, ACEA, DIN 51515, ISO 6743
- Compressor oils DIN 51506
- Biodegradable operating fluids VDMA 24568 HETG, HEES, HEPG
- Operating fluids with high water content (>50% water content) on request

1.8 MAINTENANCE INSTRUCTIONS

- Filter housings must be earthed.
- When using electrical clogging indicators, the electrical power supply to the system must be switched off before removing the clogging indicator connector.

Symbol for hydraulic systems



1.9 FILTER CALCULATION / SIZING

The total pressure drop of a filter at a certain flow rate Q is the sum of the housing Δp and the element Δp and is calculated as follows:

$$\Delta p_{\text{total}} = \Delta p_{\text{housing}} + \Delta p_{\text{element}}$$

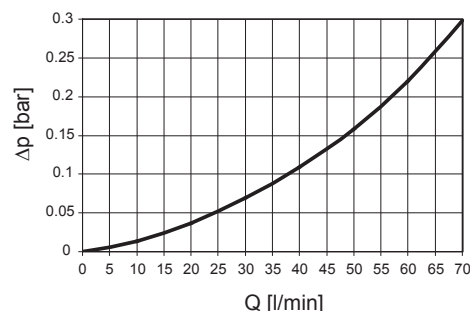
$$\Delta p_{\text{housing}} = \text{please refer to the housing curve}$$

$$\Delta p_{\text{element}} = Q \cdot SK^*/1000 \cdot \text{viscosity}/30$$

(*gradient coefficient)

HOUSING CURVE

The housing curve applies to mineral oil with a density of 0.86 kg/dm³ and a kinematic viscosity of 30mm²/s.



The gradient coefficients in mbar/(l/min) apply to mineral oils with a kinematic viscosity of 30 mm²/s. The pressure drop changes proportionally to the change in viscosity.

MFM	ON					
	1 μm	3 μm	5 μm	10 μm	15 μm	20 μm
35	50.2	21.3	17.1	13.7	10.0	7.44
55	26.0	12.3	9.9	7.90	5.17	3.84
75	16.7	8.4	6.75	5.4	3.33	2.48
95	13.2	6.74	5.4	4.33	2.62	1.92

2. MODEL CODE

2.1 COMPLETE FILTER

Type	Filter material	Size	Pressure range	Type of connection	Filtration rating [µm]	Type of clogging indicator*	Type code	Modification number	Supplementary details
MFM	ON = Optimicron®	35 55 75 95	O = 280 bar	B = G 1/2 D = M22x1.5 H = G 3/4 Z = customer-specific	1 3 5 10 15 20	W = without port A = steel plug in indicator port B = visual C = electrical D = visual/ electrical	3 = 3 mounting holes	.x = The latest version is always supplied	B7 = standard cracking pressure of bypass 7 bar OIU = standard: outlet and inlet on same side It is essential to include this information! V = FPM seal

2.2 REPLACEMENT ELEMENT

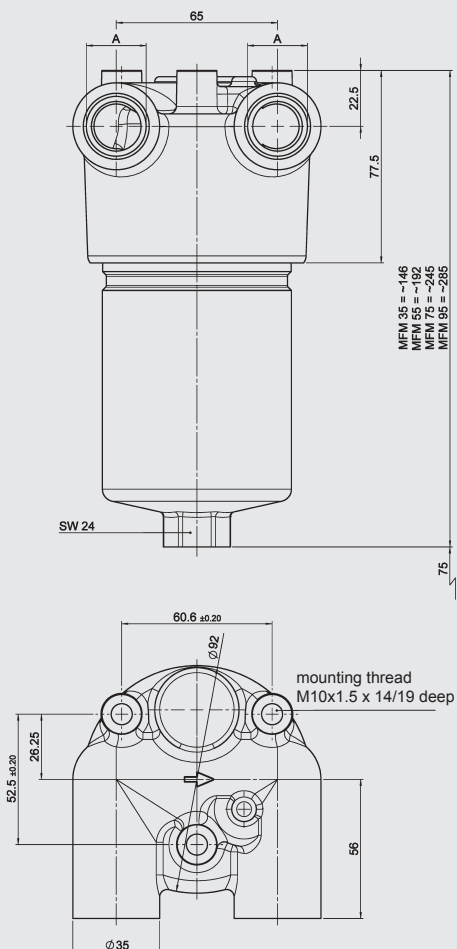
Size	Type	Filtration rating [µm]	Filter material	Supplementary details
0035 0055 0075 0095	D	001 003 005 010 015 020	ON = Optimicron®	V = FPM seal

2.3 REPLACEMENT CLOGGING INDICATOR

Type	Pressure setting	Type of clogging indicator*	Modification number	Supplementary details
VD	5 = standard 5 bar	A = steel plug in indicator port B = visual C = electrical D = visual/ electrical	.x = The latest version is always supplied	V = FPM seal

* for other clogging indicators see brochure no. 7.050../..

3. DIMENSIONS



MFM	A	Weight incl. element [kg]	Volume of pressure chamber [l]
35	G ½ M22 x 1.5 G 3/4	3.7	0.24
55		4.2	0.39
75		4.7	0.56
95		5.1	0.69

NOTE

The information in this brochure relates to the operating conditions and applications described.
For applications or operating conditions not described, please contact the relevant technical department.
Subject to technical modifications.

HYDAC Filtrertechnik GmbH
Industriegebiet
D-66280 Sulzbach/Saar
Tel.: 0 68 97 / 509-01
Fax: 0 68 97 / 509-300
Internet: www.hydac.com
E-Mail: filter@hydac.com