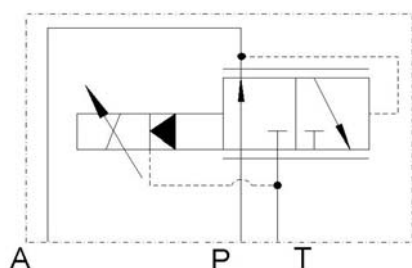




Proportional Pressure Reducing Valve pilot operated Subplate to ISO 24340 VP-PDRP6

SYMBOL



up to 350 bar
up to 60 l/min

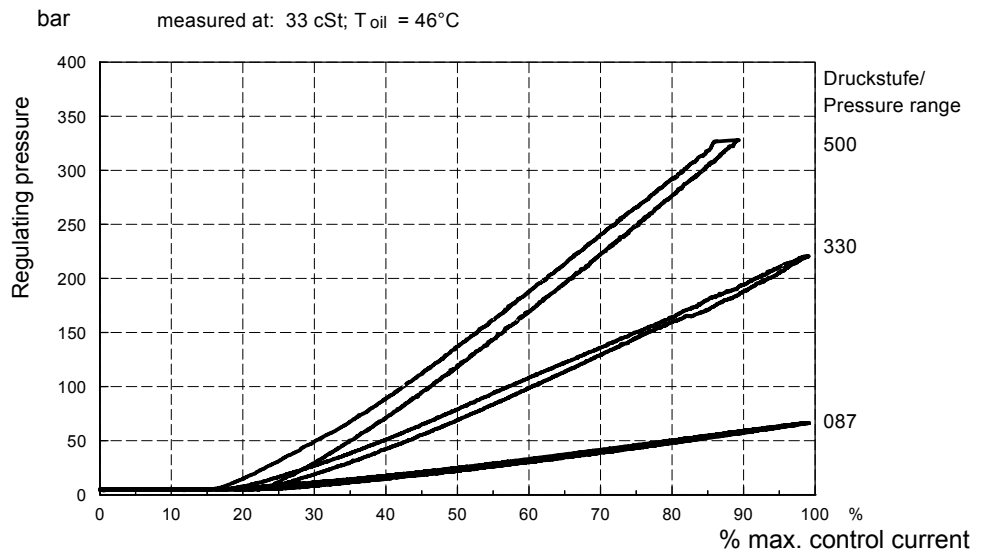
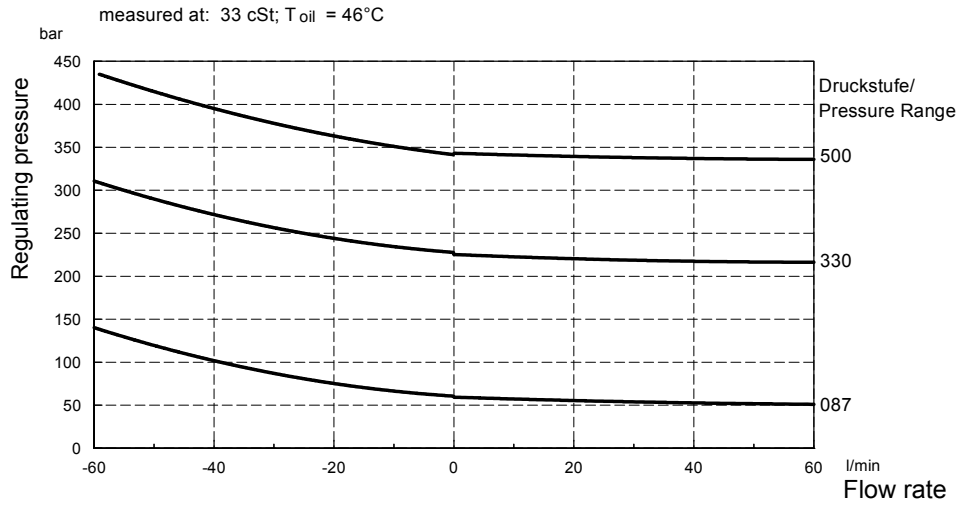
FEATURES

- Hole pattern to ISO 24340, Nominal size 6
- Proportional pressure reducing valve
- Pressures at port T are added to the adjusted value
- Electronic control by PEM-XD see brochure 5.249.2.0

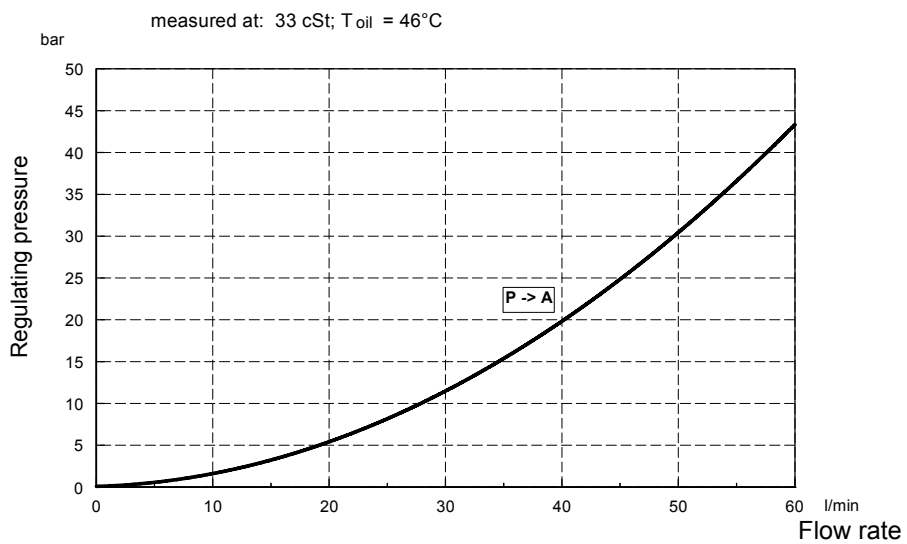
SPECIFICATIONS

Operating pressure:	max. 350 bar
Flow rate:	max. 60 l/min
Hysteresis:	< 2-4 %
Repeatability:	+/- 1,5 %
Fluids:	Hydraulic oil to DIN 51524 part 1 and 2
Temp. range of the operating fluid:	-20°C up to max. +80°C
Ambient temperature range:	-20°C up to max. +50°C
Viscosity range:	7,4 – 400 mm ² /s is recommended
Filtration:	Class 21/19/16 according to ISO4406 ISO 4406 class 18/16/13 up to 19/17/14
Switching time:	On: 60 ms Off: 40 ms
Voltage:	DC
Nominal current:	2,1 A at 12V DC 1,05 A at 24V DC
Resistance at 20°C:	2,2 Ohm at 12V 8,8 Ohm at 24V
Switch-on time:	100% (Continuous)
Dither frequency:	160 – 250 Hz
IP rating:	IP65 (if plug is mounted correctly)
Installation:	no orientation restrictions
Annotation:	bleed system and valve before setting in motion
Hole pattern:	ISO24340 Form A6
Weight:	1,25 kg

PERFORMANCE



Pressure Drop $\Delta p / Q$



Models on request

VP-PDRP6 087 D01-24PG/N
 VP-PDRP6 330 D01-24PG/N
 VP-PDRP6 500 D01-24PG/N

Part No.

3497252
 3497254
 3497266

MODEL CODE

VP-PDRP6 087 D01- 24PG/V

Name and size
 Proportional Pressure reducing valve NW 6

Pressure ranges
 087 = up to 60 bar
 330 = up to 230 bar
 500 = up to 350 bar

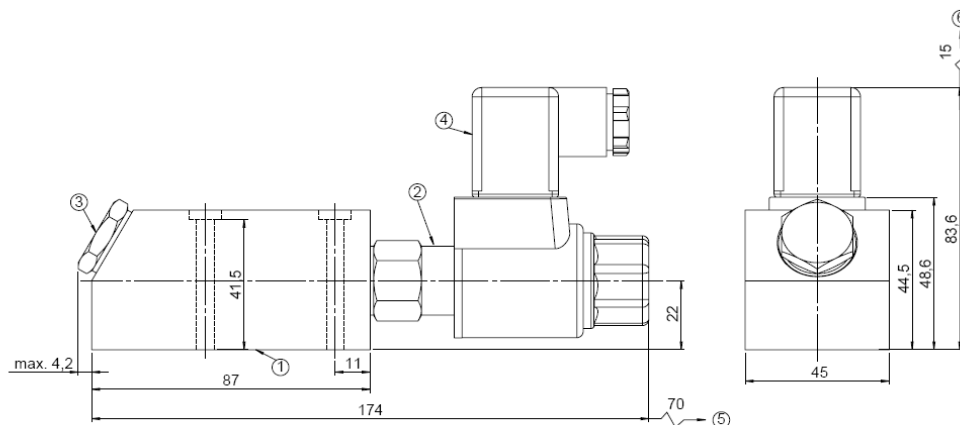
Type
 D01 = Standard

Nominal voltage
 24 = DC 24 Volt
 12 = DC 12 Volt

Plug
 PG = DIN plug according to EN155301-803

Seals
 V = FkM (Standard)
 N = NBR

DIMENSIONS

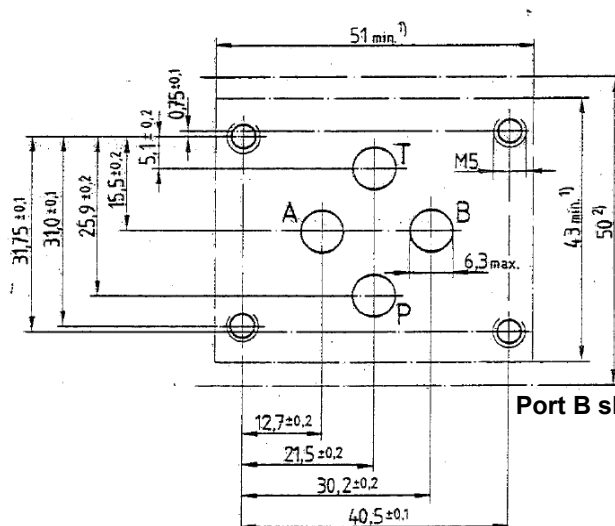


- 1) Mounting plate with O-rings:
4x O-Ring 9,25 x 1,78 FkM
- 2) Proportional pressure reducing valve with coil
- 3) Blanking plug
- 4) DIN plug to EN175301-803
- 5) Free space for mounting the coil
- 6) Free space for mounting the plug

Fastening screws:
 4x Allen key M5 x 50 10.9
 Torque: 5 Nm + 0,5 Nm

All dimensions in mm.
 Fastening elements are not in the scope of delivery.

Mounting plate to ISO 24340 Form A6



Port B should be closed!

Annotation
 The technical information in this brochure are relating to the operating conditions and applications. At deviant applications and/or operating conditions please contact the technical dept. Technical information are subject to technical modifications.

HYDAC Fluidtechnik GmbH
 Justus-von-Liebig-Str. 5
 66280 Sulzbach / Saar
 Tel.: 06897 / 509 -0
 Fax: 06897 / 509 -598
 Email: flutec@hydac.com

