



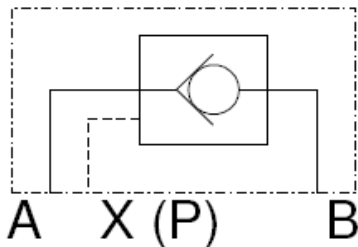
Check Valve

Hydraulically pilot to open

Subplate to ISO 24340

VP-RP6

SYMBOL



up to **350 bar**
up to **60 l/min**

FEATURES

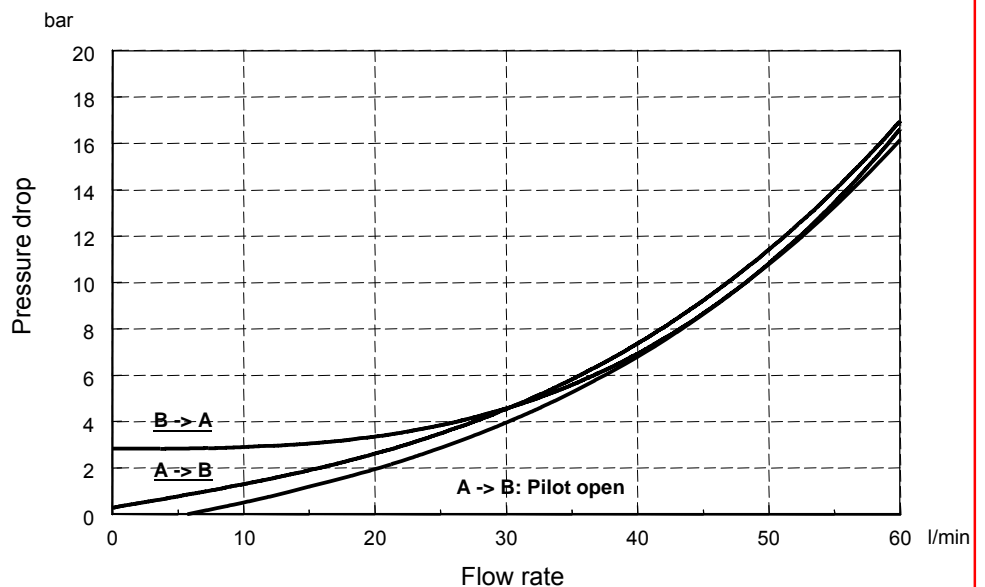
- Hole pattern to DIN 24340, Nominal size 6
- Pilot to open check valve

SPECIFICATIONS

Operating pressure:	max. 350 bar
Flow rate:	max. 60 l/min
Leakage (internal):	0,1 cc/min
Pilot ratio:	3,1 : 1
Cracking pressure:	1 bar
Fluids:	Hydraulic oil to DIN 51524 part 1 and 2
Temp. range of the operating fluid:	-20°C up to max. +80°C
Ambient temperature range:	-20°C up to max. +50°C
Viscosity range:	7,4– 400 mm ² /s is recommended
Filtration:	Class 21/19/16 according to ISO4406
Installation:	no orientation restrictions
Hole pattern:	ISO24340 Form A6
Weight:	1,0 kg

PERFORMANCE

measured at $v = 33 \text{ mm}^2/\text{s}$ and $T_{\text{oil}} = 46^\circ \text{ C}$



Models on request
VP-RP6 15 S01/N

Part No.
3497270

MODEL CODE

VP-RP6 15 S01 /V

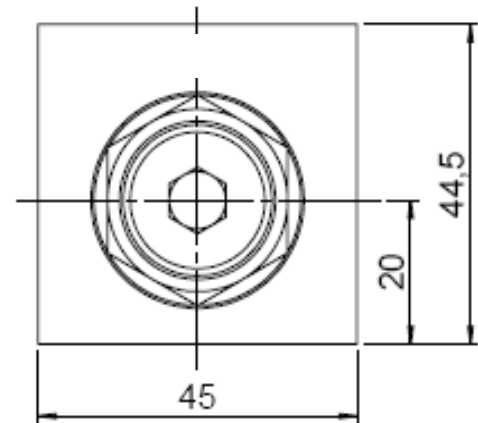
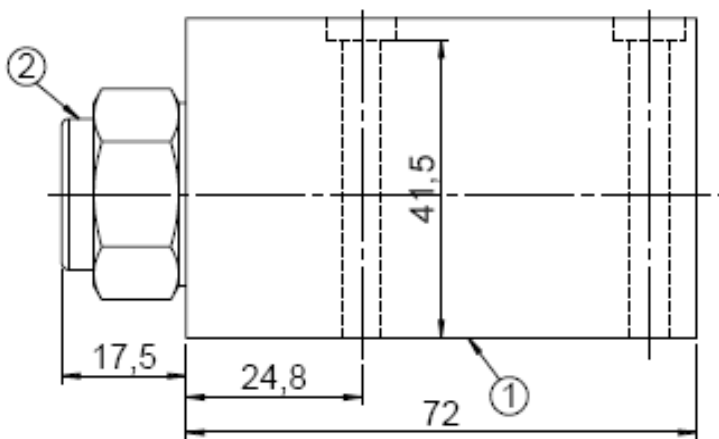
Name and size _____
Check valve pilot to open NW 6

Cracking pressure _____
15 = 1 bar

Type _____
S01 = Standard

Seals _____
V = FKM (Standard)
N = NBR

DIMENSIONS

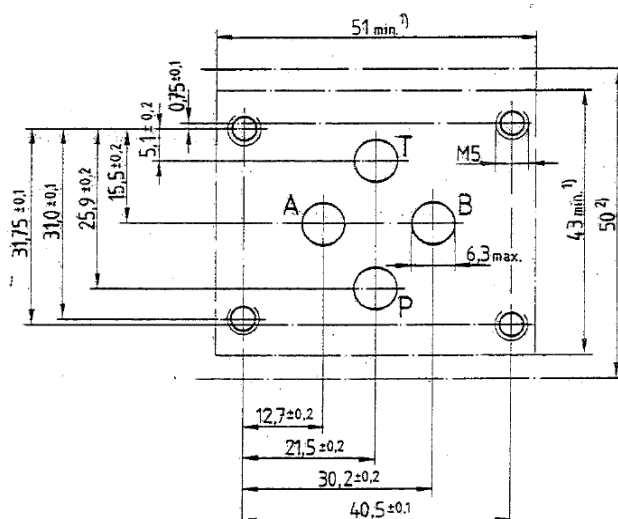


- 1) Mounting plate with O-rings:
4x O-Ring 9,25 x 1,78 FKM
- 2) Check valve pilot to open

Fastening screws: 4x Allen key M5 x 50 10.9
Torque: 5 Nm + 0,5 Nm

All dimensions in mm.
Fastening elements are not in the scope of delivery.

Mounting plate to ISO 24340 Form A6



Annotation
The technical information in this brochure are relating to the operating conditions and applications. At deviant applications and/or operating conditions please contact the technical dept. Technical information are subject to technical modifications.

HYDAC Fluidtechnik GmbH
Justus-von-Liebig-Str. 5
66280 Sulzbach / Saar
Tel.: 06897 / 509 -0
Fax: 06897 / 509 -598
Email: flutec@hydac.com