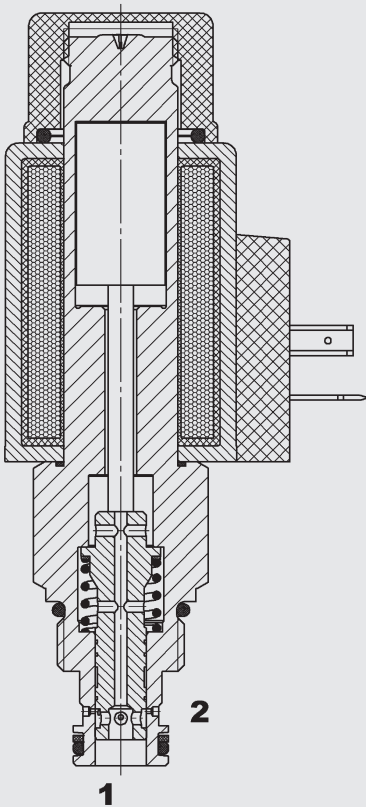


up to 10 l/min
up to 350 bar

FUNCTION



The PWK06020V is a normally closed, direct-acting, spring-loaded, spool type proportional flow control valve.

It is non-compensated and its function is to control the flow from port 1 to port 2 smoothly. The energization of the coil reduces or increases an orifice cross-section and thus controls the flow. Together with a pressure compensator the proportional flow control valve can be used as a 2-way flow regulator – for example when required to lift/lower variable loads at the same velocity.

Proportional Flow Control Valve Spool Type, Direct-Acting, Normally Open Metric Cartridge – 350 bar PWK06020V

FEATURES

- Stepless adjustment of the effective oil flow, depending on the coil current.
- Excellent stability throughout the entire flow range
- Excellent dynamic performance
- External surfaces zinc-plated and corrosion-proof
- Hardened and ground internal valve components to ensure minimal wear and extended service life
- Coil seals protect the solenoid system
- Wide variety of connectors available
- Low pressure drop due to CFD optimized flow path

SPECIFICATIONS

Operating pressure:	max. 350 bar
Nominal flow:	max. 10 l/min
Internal leakage:	max. 0.9 l/min (at 350 bar / 32 mm ² /s)
Media operating temperature range:	min. -20 °C to max. +100 °C
Ambient temperature range:	min. -20 °C to max. +60 °C
Operating fluid:	Hydraulic oil to DIN 51524 Part 1 and 2
Viscosity range:	min. 7.4 mm ² /s to max. 420 mm ² /s
Filtration:	Class 19/17/14 according to ISO 4406 or cleaner
Installation:	No orientation restrictions
MTTF _d	150 years (see "Conditions and instructions for valves" in brochure 5.300)
Materials:	Valve body: high tensile steel Spool: hardened and ground steel Seals: NBR (standard) FKM (optional) Back-up rings: PTFE
Cavity:	Metric 06020
Weight:	0.46 kg
Electronic data:	
Control currents:	1750 mA; 4.1 Ohm (12V) / 850 mA; 17.6 Ohm (24V)
Dither frequency:	80 - 100 Hz
Hysteresis with dither:	4 - 6 % of I nom
Repeatability:	< 1 % of I nom
Reversal error:	< 1 % of I nom
Response sensitivity:	< 1 % of I nom
Coil type:	Coil ... P...-4...-50-1836

