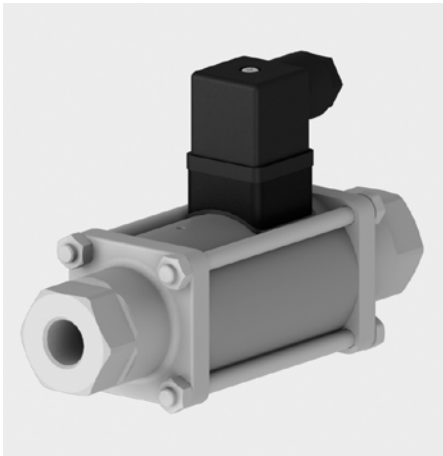
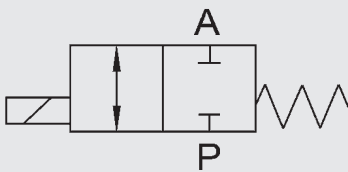


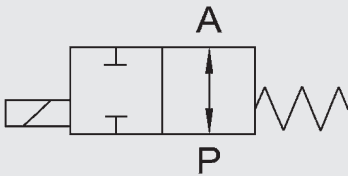
2/2-way coaxial valve CX02 to CX05 direct acting



Switching function



NC (closed when de-energised)



NO (open when de-energised)

Order data

- Nominal size
- Connection
- Function NC/NO
- Operating pressure
- Flow rate
- Medium
- Medium temperature
- Ambient temperature
- Supply voltage

! If order details or application data are inaccurate or incomplete, there is a risk that the technical configuration of the valves may not be correct for the desired use. This may result in the physical and/or chemical characteristics of the materials or seals used not being adequate for the intended use.

Model code (also example order)

CX02 2/2 D C 2 10 020 014 24V ...

Designation

CX02 = series CX02
CX03 = series CX03
CX04 = series CX04
CX05 = series CX05

Ways

2/2 = number of ways

Control

D = direct

Switching function

C = NC - closed when de-energised
O = NO - open when de-energised

Body material

1 = free from non-ferrous metals*
2 = brass (standard)
3 = brass, nickel-plated*
4 = 1.4305* (except for CX02)
5 = 1.4571* (except for CX02)

Nominal size

10 = DN 10
15 = DN 15
20 = DN 20
25 = DN 25
32 = DN 32
40 = DN 40
50 = DN 50

Pressure range

020 = CX02 > 0 - 20 bar
040 = CX03 > 0 - 40 bar
064 = CX04 > 0 - 64 bar
100 = CX05 > 0 - 100 bar

Connection

014 = G $\frac{1}{4}$ - DN 10
038 = G $\frac{3}{8}$ - DN 10, DN 15
012 = G $\frac{1}{2}$ - DN 10, DN 15, DN 20
034 = G $\frac{3}{4}$ - DN 10*, DN 15, DN 20, DN 25
100 = G1 - DN 15*, DN 20, DN 25, DN 32
114 = G1 $\frac{1}{4}$ - DN 20*, DN 25, DN 32
112 = G1 $\frac{1}{2}$ - DN 25*, DN 32, DN 40
200 = G2 - DN 50

Supply voltage

24V = 24 V DC
230V = 230 V AC 40-60 Hz
Special voltages on request

Options

see accessories


*optional


Technical specifications

Control	2/2-way valve, direct acting	
Nominal size	DN 10 to DN 50	
Pressure range (see table)	CX02 – 2/2 DN10 - 32	PN 0 to PN 20
	CX03 – 2/2 DN10 - 32	PN 0 to PN 40
	CX03 – 2/2 DN40 - 50	PN 0 to PN 16
	CX04 – 2/2 DN10 - 32	PN 0 to PN 64
	CX05 – 2/2 DN10 - 32	PN 0 to PN 100
Connections (see table)	Threaded sleeve	
	Flange on request	
Body material	Sleeve version	Brass, nickel-coated brass, 1.4305, 1.4571 on request
	Flange version	
Valve seat (plastic on metal)	FKM	CX02 / CX03 / CX04
	PTFE	CX05
Material of seals	static:	FKM
	dynamic:	PTFE
Back-pressure resistant	up to 16 bar	
Vacuum	Leakage rate <10 ⁻⁶ mbar•l/s *	
Media	Gaseous, liquid, contaminated	
Abrasive operating fluids	On request	
Direction of flow	P → A	As marked
	A → P	max. 16 bar
Temperature of medium	-10 °C to +100 °C	
Ambient temperature	-10 °C to +50 °C	
Mounting position	No orientation restrictions	
Limit switch	Inductive*	
Fixing	Mounting bracket*	

Electrical part

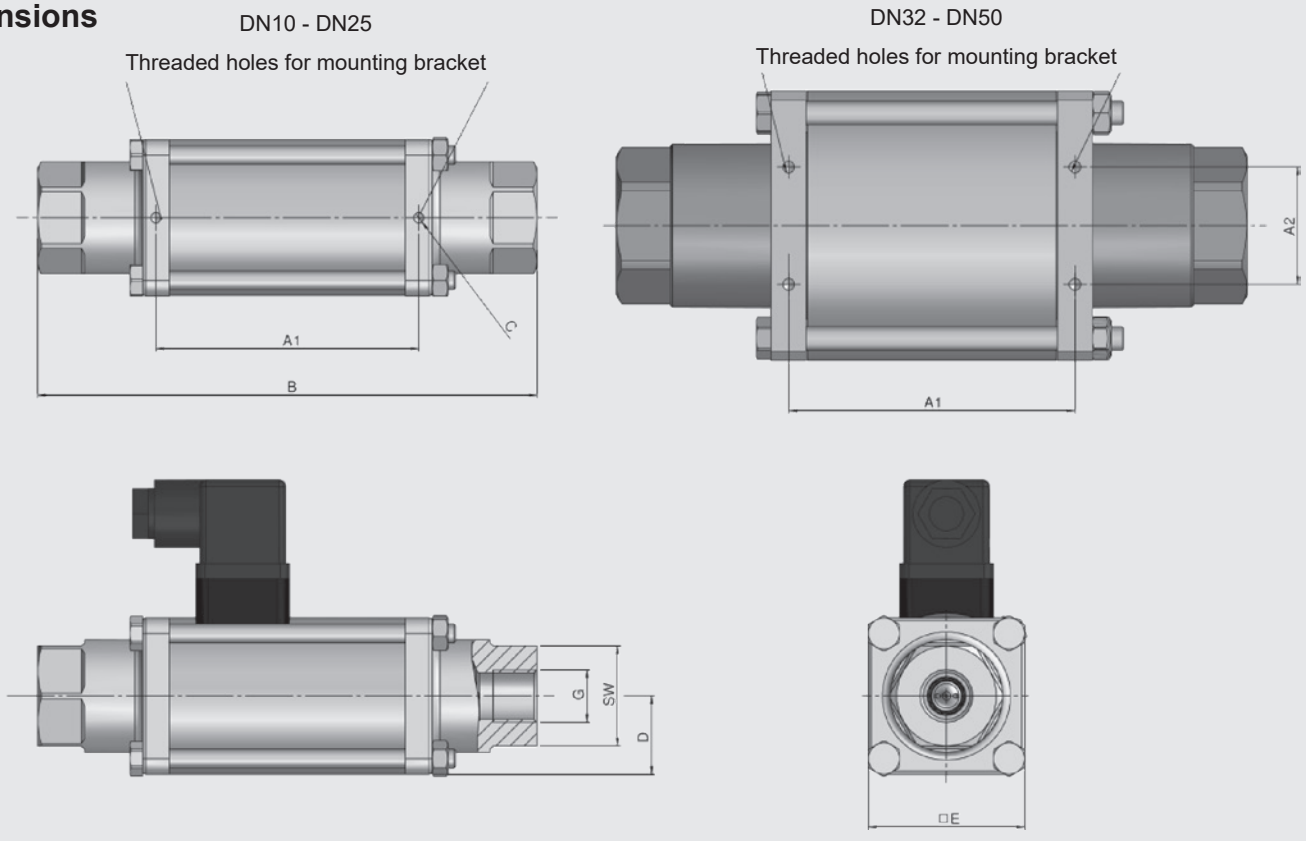
Supply voltage	DC: 24 V
	AC: 230 V 40-60 Hz
Electrical part	DC: DC magnet
	AC: DC magnet with integrated rectifier
Connection	Connector plug to DIN EN 175301-803 type A
	Connector plug to DESINA M12x1 *
	illuminated plug with varistor *
Voltage tolerance	±10 % to VDE 0580
Duty cycle	100 % duty cycle
Protection class	IP 65 when fitted with connector plug

 The material specification refers exclusively to the valve connection parts in contact with the medium. *optional

 The valves are technically configured for specific media and applications. This may result in deviations from the general information given in the data sheet in terms of the design, sealing materials and specifications.


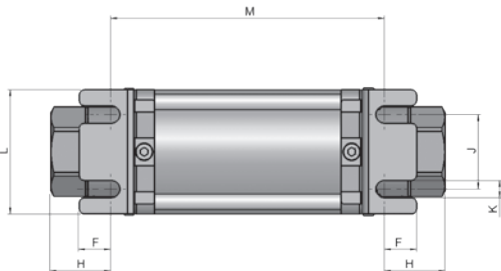
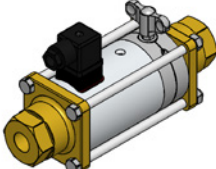
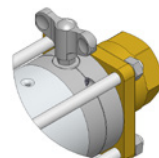
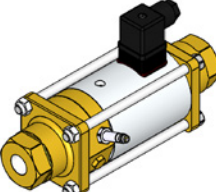
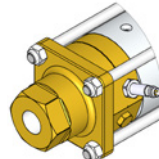
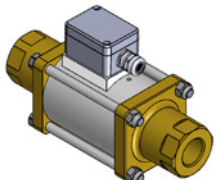
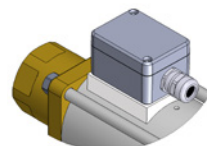
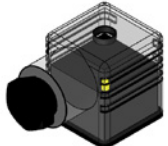
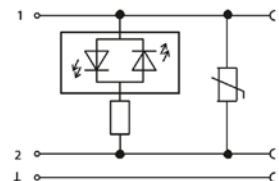
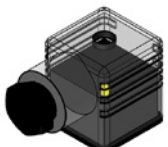

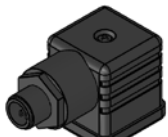
Series	DN [mm]	Pressure [bar]	Connection	Kv value [m ³ /h]	Power consumption [W]		Weight [kg]
					24 V DC	230 V 50 Hz	
CX02	10	0 – 20	G ¹ / ₄ , G ³ / ₈ , G ¹ / ₂	2.5	25	29	1.7
	15	0 – 20	G ³ / ₈ , G ¹ / ₂ , G ³ / ₄	5.2	30	32	3.6
	20	0 – 20	G ¹ / ₂ , G ³ / ₄ , G1	7.0	34	42	5.4
	25	0 – 20	G ³ / ₄ , G1, G1 ¹ / ₄	12.3	51	60	7.1
	32	0 – 20	G1, G1 ¹ / ₄ , G1 ¹ / ₂	20.0	73	76	12.6
CX03	10	0 – 40	G ¹ / ₄ , G ³ / ₈ , G ¹ / ₂	2.5	35	41	1.7
	15	0 – 40	G ³ / ₈ , G ¹ / ₂ , G ³ / ₄	5.2	40	45	3.6
	20	0 – 40	G ¹ / ₂ , G ³ / ₄ , G1	7.0	45	53	5.4
	25	0 – 40	G ³ / ₄ , G1, G1 ¹ / ₄	12.3	60	68	7.1
	32	0 – 40	G1, G1 ¹ / ₄ , G1 ¹ / ₂	20.0	73	76	12.6
	40	0 – 16	G1 ¹ / ₂	45.7	73	91	18.3
	50	0 – 16	G2	47.2	73	91	18.3
CX04	10	0 – 64	G ¹ / ₄ , G ³ / ₈ , G ¹ / ₂	2.5	44	53	1.7
	15	0 – 64	G ³ / ₈ , G ¹ / ₂ , G ³ / ₄	5.2	50	55	3.6
	20	0 – 64	G ¹ / ₂ , G ³ / ₄ , G1	7.0	53	59	5.4
	25	0 – 64	G ³ / ₄ , G1, G1 ¹ / ₄	12.3	77	85	7.1
	32	0 – 64	G1, G1 ¹ / ₄ , G1 ¹ / ₂	20.0	73	76	12.6
CX05	10	0 – 100	G ¹ / ₄ , G ³ / ₈ , G ¹ / ₂	2.5	44	53	1.7
	15	0 – 100	G ³ / ₈ , G ¹ / ₂ , G ³ / ₄	5.2	50	55	3.6
	20	0 – 100	G ¹ / ₂ , G ³ / ₄ , G1	7.0	53	59	5.4
	25	0 – 100	G ³ / ₄ , G1, G1 ¹ / ₄	12.3	77	85	7.1
	32	0 – 100	G1, G1 ¹ / ₄ , G1 ¹ / ₂	20.0	73	76	12.6

Dimensions



DN	G	SW (AF width)	A1 [mm]	A2 [mm]	B [mm]	C	D [mm]	E [mm]
10	G ¹ / ₄ , G ³ / ₈ , G ¹ / ₂	32	84	–	159.5	M4	25	50
15	G ³ / ₈ , G ¹ / ₂ , G ³ / ₄	41	100	–	184	M5	35	70
20	G ¹ / ₂ , G ³ / ₄ , G1	46	108	–	215	M5	40	80
25	G ³ / ₄ , G1, G1 ¹ / ₄	55	121	–	246	M5	45	90
32	G1, G1 ¹ / ₄ , G1 ¹ / ₂	60	122	50	269	M6	57.5	115
40	G1 ¹ / ₂	75	131	60	304	M6	65	130
50	G2	75	131	60	304	M6	65	130

Accessories

	<p>Mounting bracket mechanical option = HW</p> <table border="1" data-bbox="406 224 949 492"> <thead> <tr> <th>DN</th> <th>F [mm]</th> <th>H [mm]</th> <th>J [mm]</th> <th>K [mm]</th> <th>L [mm]</th> <th>M [mm]</th> </tr> </thead> <tbody> <tr><td>10</td><td>10</td><td>23.5</td><td>30</td><td>7</td><td>50</td><td>113</td></tr> <tr><td>15</td><td>10.5</td><td>22.5</td><td>45</td><td>7</td><td>70</td><td>139</td></tr> <tr><td>20</td><td>15.3</td><td>33.5</td><td>50</td><td>7</td><td>80</td><td>149</td></tr> <tr><td>25</td><td>16</td><td>34</td><td>60</td><td>8.5</td><td>90</td><td>178</td></tr> <tr><td>32</td><td>6</td><td>37</td><td>78</td><td>6.5</td><td>115</td><td>195</td></tr> <tr><td>40</td><td>6</td><td>40</td><td>98</td><td>6.5</td><td>130</td><td>224</td></tr> <tr><td>50</td><td>6</td><td>40</td><td>98</td><td>6.5</td><td>130</td><td>224</td></tr> </tbody> </table>	DN	F [mm]	H [mm]	J [mm]	K [mm]	L [mm]	M [mm]	10	10	23.5	30	7	50	113	15	10.5	22.5	45	7	70	139	20	15.3	33.5	50	7	80	149	25	16	34	60	8.5	90	178	32	6	37	78	6.5	115	195	40	6	40	98	6.5	130	224	50	6	40	98	6.5	130	224	
DN	F [mm]	H [mm]	J [mm]	K [mm]	L [mm]	M [mm]																																																				
10	10	23.5	30	7	50	113																																																				
15	10.5	22.5	45	7	70	139																																																				
20	15.3	33.5	50	7	80	149																																																				
25	16	34	60	8.5	90	178																																																				
32	6	37	78	6.5	115	195																																																				
40	6	40	98	6.5	130	224																																																				
50	6	40	98	6.5	130	224																																																				
	<p>Manual override mechanical option = HT</p>																																																									
	<p>Position indicator, inductive electrical option = 1I (open or closed) electrical option = 2I (open and closed)</p>																																																									
	<p>Terminal box Protection class: IP 65 PG11-screw connection electrical option = PG</p>																																																									
	<p>Female connector with LED electrical option = LED</p>																																																									
	<p>Female connector with power reduction 24 V DC Form A electrical option = LS</p>																																																									
	<p>Female connector M12x1 electrical option = M12</p>																																																									

We would be happy to discuss your requirements for further options and accessories.

NOTE

The information in this brochure relates to the operating conditions and applications described. For applications and operating conditions not described, please contact the relevant technical department.

The operator is always responsible for determining the product suitability for the specific application. Quantified values for product characteristics are average values for a new product that undergo a time deterioration process.

Subject to technical modifications and errors.

HYDAC Accessories GmbH

Hirschbachstr. 2

66280 Sulzbach/Saar

Tel.: +49 (0)6897 - 509-01

Fax: +49 (0)6897 - 509-1009

Internet: www.hydac.com

E-Mail: accessories@hydac.com