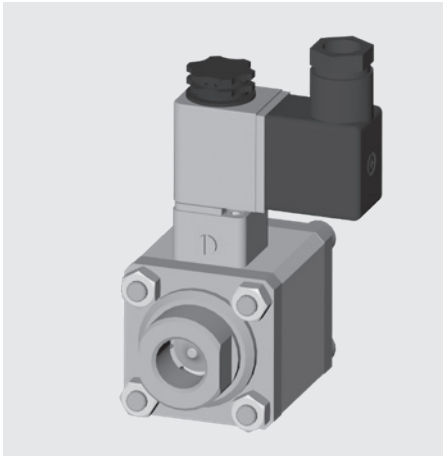
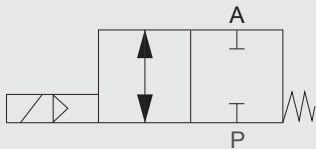


2/2-way coaxial valve CXR compact, pilot operated



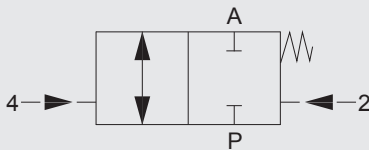
Switching function

Standard

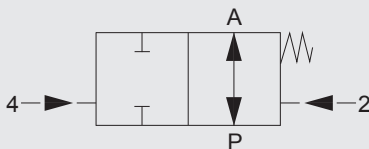


NC (closed when de-energised)

With external 3/2-way pilot valve



NO (closed when de-energised)



NO (open when de-energised)

Order data

- Nominal size
- Connection
- Function NC/NO
- Operating pressure
- Flow rate
- Medium
- Medium temperature
- Ambient temperature
- Supply voltage

⚠ If order details or application data are inaccurate or incomplete, there is a risk that the technical configuration of the valves may not be correct for the desired use. This may result in the physical and/or chemical characteristics of the materials or seals used not being adequate for the intended use.

Model code

(also example order)

CXR 2/2 F C 2 08 040 038 PV ...

Designation

CXR = series CXR

Ways

2/2 = number of ways

Control

F = external pilot

Switching function

C = NC - closed when de-energised

O = NO - open when de-energised*

Body material

2 = brass

Nominal size

08 = DN 08

Pressure range

040 = > 0 - 40 bar

Connection

038 = G^{3/8}

Pilot valve

PV = 3/2-way pilot valve

Options

see accessories

*optional

Technical specifications

Control	2/2-way valve, pilot operated	
Nominal size	DN 08	
Pressure range	PN 0 to PN 40	
Connection	Female threaded connection	
Body material	Brass	
Seal material	Static:	FKM
	Dynamic:	PTFE
	Seat seal	FKM
Back-pressure resistant	max. 40 bar	
Vacuum	Leakage rate < 10 ⁻⁶ mbar•l/s *	
Media	Emulsions, oils, neutral gases (other media on request)	
Flow direction	P → A max. 40 bar A → P max. 40 bar	
Temperature of medium	-10 °C to +100 °C	
Ambient temperature	-10 °C to +50 °C	
Actuating part	Double acting piston with return spring	
Mounting position	No orientation restrictions	
Fixing	Mounting bracket*	

Pneumatic part (pilot valve)

Control system	3/2-way pilot valve
Mounting pattern	Flange
Control pressure	3 to 10 bar
Connection, control air	Connector for hose with external diameter 6 mm
Air requirement	approx. 7 cm ³ / stroke
Switching times	Opening/closing 21–40 ms depending on control pressure
Switching function	NC – closed when de-energised

Optional external 3/2-way pilot valve

Ports, control air	M5
Switching function	NC/NO


Electrical part (pilot valve)

Supply voltage	DC: 24 V AC: 230 V 40–60 Hz
Electrical part	DC: DC linear solenoid AC: DC linear solenoid with integrated rectifier
Connection	Connector plug to industrial standard, model B Connector plug to DESINA M12x1 * Connector with LED (transparent housing) with varistor*
Voltage tolerance	±10 % to VDE 0580
Duty cycle	100 % duty cycle
Protection class	IP 65 when connector plug is fitted

 The material information relates exclusively to valve connection parts that come into contact with medium. *optional

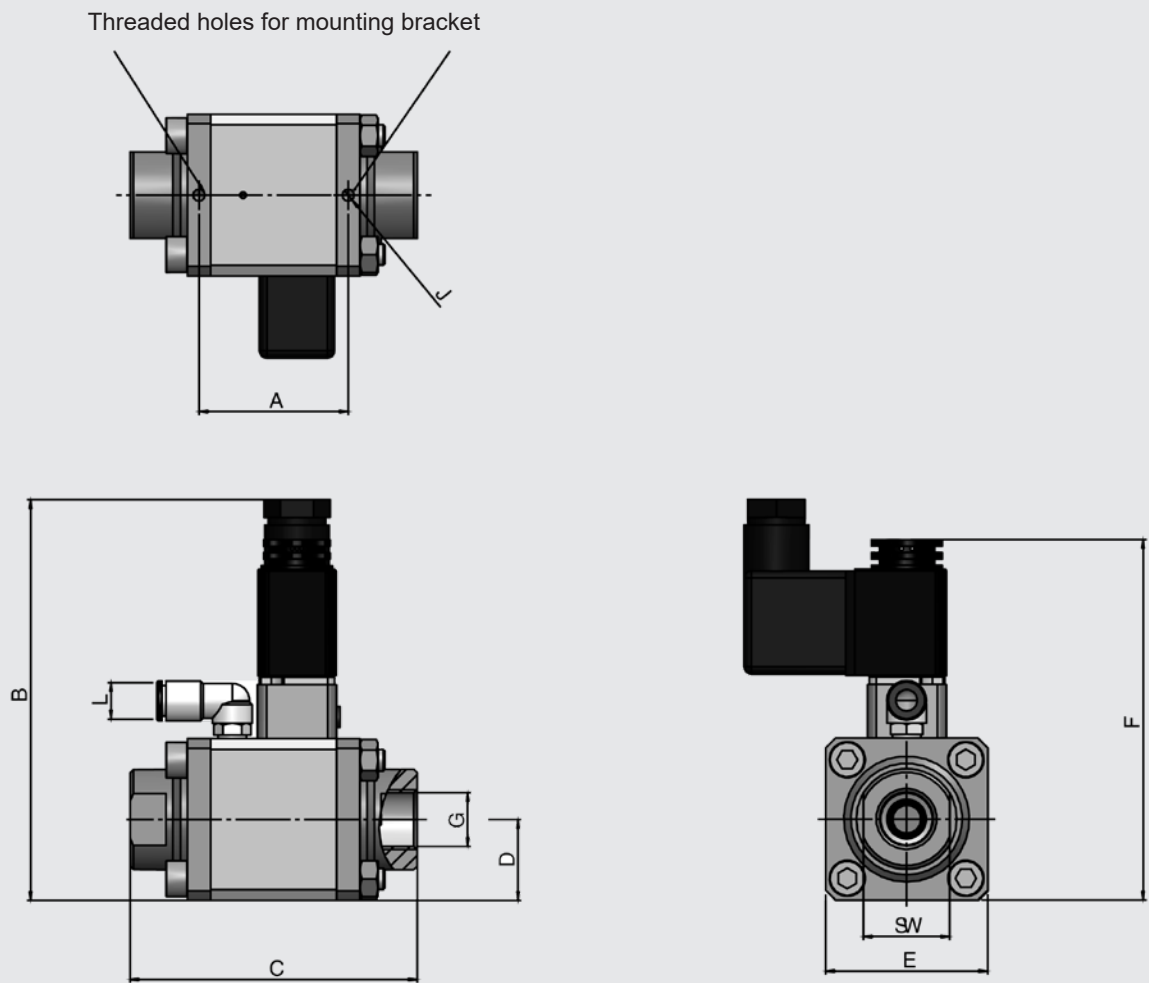
Series	DN [mm]	Pressure [bar]	Connection	Kv value [m ³ /h]	Power consumption [W]		Weight [kg]
					24 V DC	230 V 50 Hz	
CXR	08	0 - 40	G ³ / ₈	1.7	6	9.2	0.7

NOTICE: Inserting a maintenance unit upstream will increase the service life of the unit.

 The valves are technically configured for specific media and applications. This may result in deviations from the general information given in the data sheet in terms of the design, sealing materials and specifications.

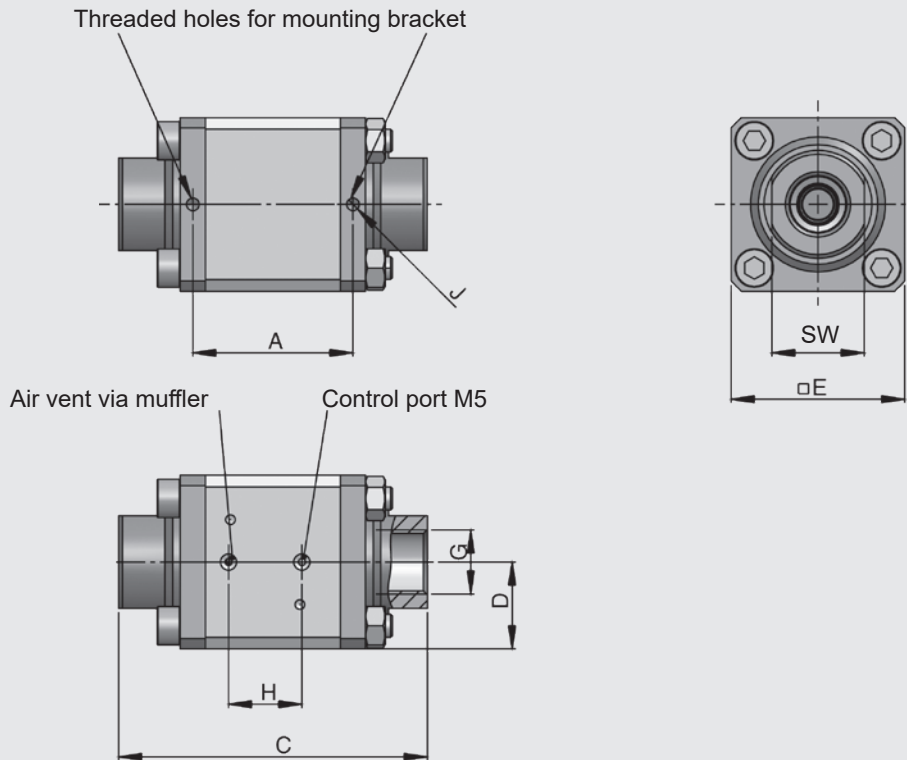
Dimensions

CXR compact with 3/2-way pilot valve



DN	G	SW (AF width)	A [mm]	B [mm]	C [mm]	D [mm]	E [mm]	F [mm]	J	L [mm]
08	G $\frac{3}{8}$	24	41.5	112	80	22.5	45	101	M4	6

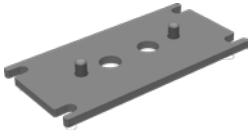
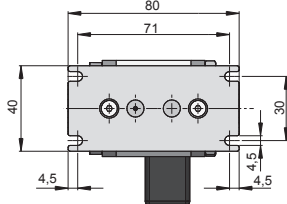
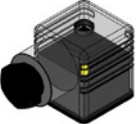
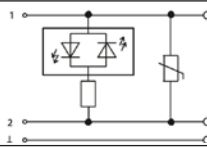


CXR compact with control-air ports for external 3/2-way pilot valve



DN	G	SW (AF width)	A [mm]	B [mm]	C [mm]	D [mm]	E [mm]	F [mm]	H [mm]	J
08	G $\frac{3}{8}$	24	41.5	-	80	22.5	45	-	19	M4

Notice: Mounting brackets are not included with the standard model.

Accessories

	Mounting bracket mechanical option = HW	
	Connector plug with LED electrical option = LED	
	Screw connections	
	Special explosion protection II 2G Ex m II T4 II 3D IP65 T130 °C electrical option = EX	Notice: The operating pressure is reduced by approx. 20 % on the Ex version.

We would be happy to discuss your requirements for further options and accessories

NOTE

The information in this brochure relates to the operating conditions and applications described. For applications and operating conditions not described, please contact the relevant technical department.

The operator is always responsible for determining the product suitability for the specific application. Quantified values for product characteristics are average values for a new product that undergo a time deterioration process.

Subject to technical modifications and errors.

HYDAC Accessories GmbH

Hirschbachstr. 2

66280 Sulzbach/Saar

Tel.: +49 (0)6897 - 509-01

Fax: +49 (0)6897 - 509-1009

Internet: www.hydac.com

e-mail: accessories@hydac.com