

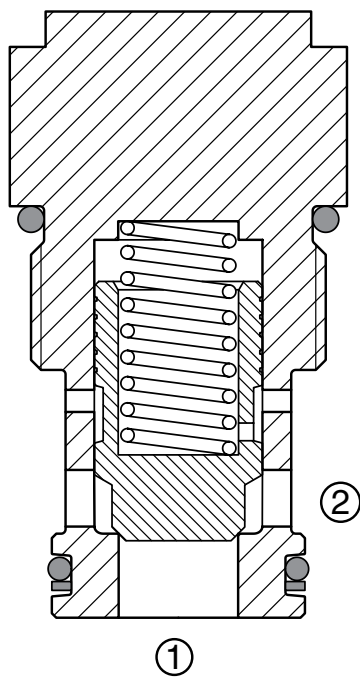
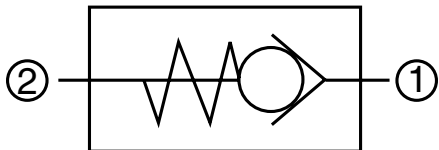
# CHECK & LOAD CONTROL VALVES

## RV16A-01

### Check Valve, Poppet Type

Up to 44 gpm (165 l/min) • 6000 psi (420 bar)

#### Hydraulic Symbol



#### Description

A screw-in cartridge, poppet type check valve for use as a blocking or load holding device.

#### Operation

The RV16A allows flow from port 1 to port 2, while normally blocking flow in the opposite direction. The valve remains closed by bias spring until sufficient pressure is applied at port 1 at which time the poppet lifts off the seat and allows flow from port 1 to port 2.

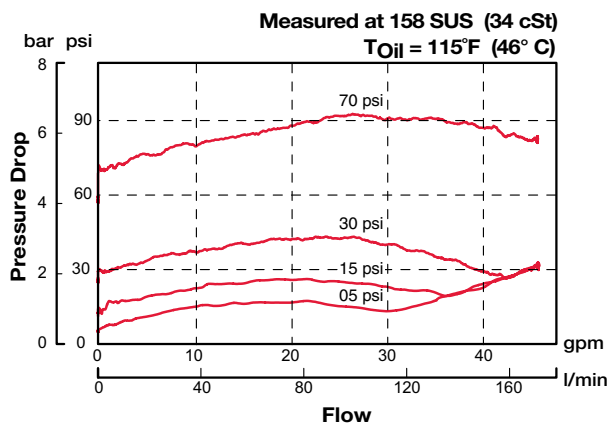
#### Features

- Hardened poppet to ensure extended service life and low leakage
- Multiple bias spring options for back pressure application flexibility
- Fast closing and seating
- Low pressure drop
- Fully guided check
- All external surfaces zinc-plated
- Industry common cavity

#### Specifications

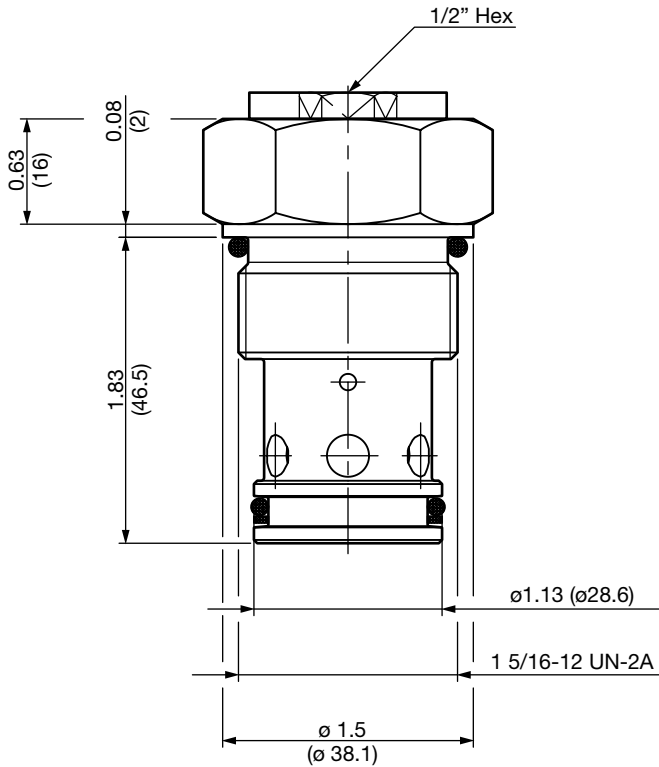
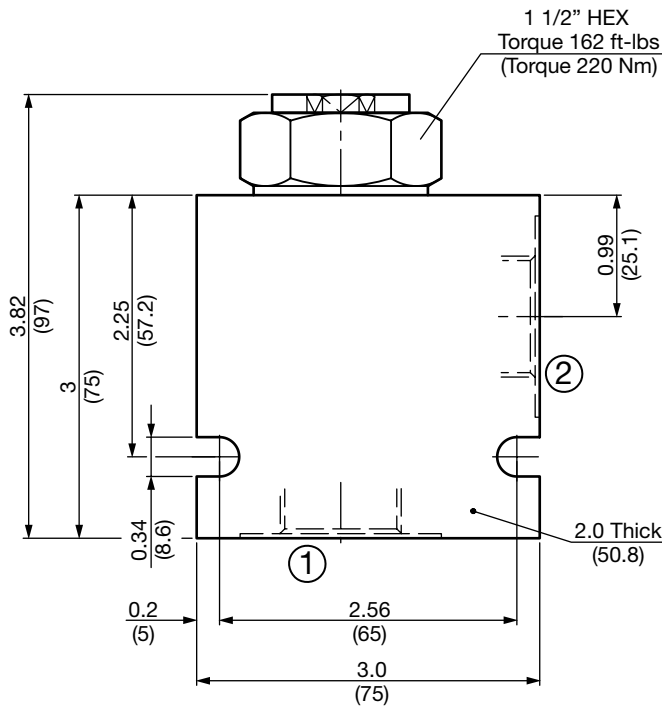
Operating Pressure	6000 psi (420 bar)
Nominal Flow	44 gpm (165 l/min)
Internal Leakage	<2 drops/min. at 6000 psi (0.10 cc/min at 420 bar)
Standard Cracking Pressures	5 psi (0.35 bar) 15 psi (1.00 bar) 30 psi (2.00 bar) 70 psi (5.00 bar)
Fluid Operating Temp. Range	-4° to 248°F (-20° to +120°C) (Consult factory for usage at temp. outside range.)
Fluid Compatibility	Mineral-based or synthetics with lubricating properties
Viscosity	50 to 2000 SUS (7.4 to 420 cSt)
Filtration	21/19/16 or cleaner (per ISO 4406). Use with filter rated $\beta_{10} \geq 200$ .
Installation	No orientation restrictions
Cavity	FC16-2 (see Line Bodies & Cavities section)
Cavity Tools	Rougher: 02580250 Finisher: 02580251
Cartridge Weight	0.76 Lbs. (0.35 kg)
Cartridge Material	Steel with hardened work surfaces. Zinc-plated exposed surfaces. Buna N or Viton® o-rings. PTFE back-up rings.
Seal Kits	Buna-N P/N: 03052427 Viton® P/N: 03051758

#### Performance



# CHECK & LOAD CONTROL VALVES

## Dimensions



## Model Code

**RV16A-01-C-N-05**

- Valve Model** \_\_\_\_\_
- Body & Ports** \_\_\_\_\_
- C = Cartridge only
  - AS16 = SAE-16 Ports, aluminum Body
  - SS16 = SAE-16 Ports, steel Body
- Seals** \_\_\_\_\_
- N = Buna-N
  - V = Viton®
- Cracking Pressure** \_\_\_\_\_
- 05 = 5 psi (0.35 bar)
  - 15 = 15 psi (1.00 bar)
  - 30 = 30 psi (2.00 bar)
  - 70 = 70 psi (5.00 bar)

All measurements in inches (mm).  
Subject to technical modifications

## Standard Line Bodies\*

Code	Part No	Material	Pressure Rating	Weight
FH162-AS16	03037195	Aluminum, anodized	3500 psi (245 bar)	1.20 lb (0.55 kg)
FH162-SS16	03032655	Steel, Zinc plated	6000 psi (420 bar)	3.56 lb (1.62 kg)

\*Please refer to Line Bodies & Cavities section for details