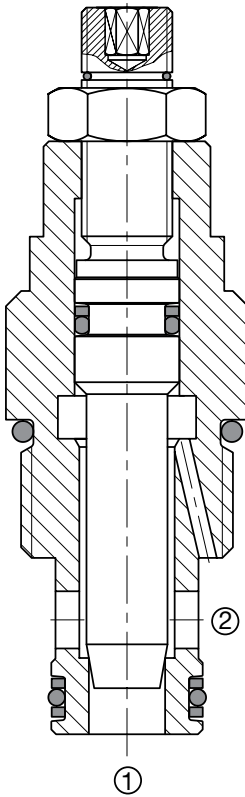
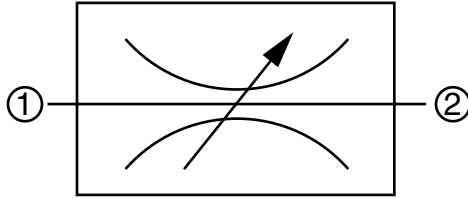


FLOW CONTROL VALVES

SD10-01

Needle, Poppet Type

Up to 42 gpm (160 l/min) • 6000 psi (420 bar)



Description

A screw-in cartridge, adjustable variable orifice, hydraulic flow restrictor valve, non-pressure compensated.

Operation

The SD10-01 controls flow in either direction from fully open to leaktight shut-off by turning the adjustment feature clock-wise. Flow is non-pressure compensated.

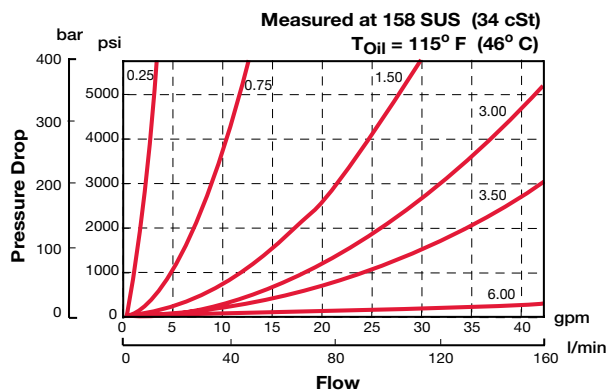
Features

- Adjustment needle cannot be backed out of the valve
- Desired setting may be locked down
- Aluminum knob option for ease of adjustment
- Complete shut-off
- Hardened parts to ensure minimal wear and extend service life
- All external surfaces zinc-plated
- Industry common cavity

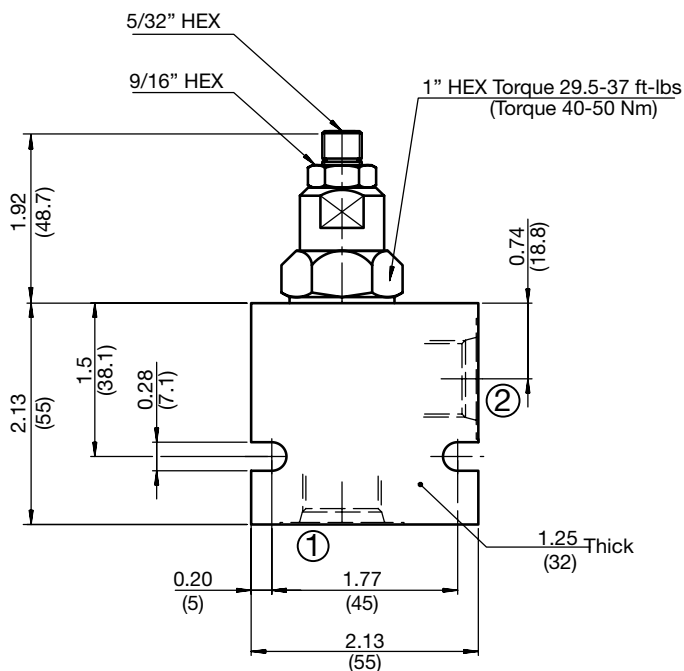
Specifications

Operating Pressure	6000 psi (420 bar)
Nominal Flow	42 gpm (160 l/min)
Adjustment Torque Required	1.25 lbf.ft at 3000 psi (1.7 Nm at 210 bar) 2.21 lbf.ft at 5000 psi (3.0 Nm at 350 bar)
Fluid Operating Temp. Range	-4° to 248°F (-20° to +120°C) <i>(Consult factory for usage at temp. outside range.)</i>
Fluid Compatibility	Mineral-based or synthetics with lubricating properties
Viscosity	50 to 2000 SUS (7.4 to 420 cSt)
Filtration	21/19/16 or cleaner (per ISO 4406). Use with filter rated $\beta_{10} \geq 200$.
Installation	No orientation restrictions
Cavity	FC10-2 (see <i>Line Bodies & Cavities</i> section)
Cavity Tools	Rougher: 02580274 Finisher: 02580274
Cartridge Weight	0.35 Lbs. (0.160 kg)
Cartridge Material	Steel with hardened work surfaces. Zinc-plated exposed surfaces. Anodized aluminum knobs. <i>(option H)</i> Buna N or Viton® o-rings, and PTFE back-up rings.
Seal Kits	Buna-N P/N: 03033872 Viton® P/N: 03051757

Performance



Dimensions



Model Code

SD10-01-C-N-V

Valve Model

Body & Ports

- C = No Line Body, cartridge only
- AS8 = SAE-8 ports, aluminum body
- SS8 = SAE-8 ports, steel body

Seals

- N = Buna-N
- V = Viton®

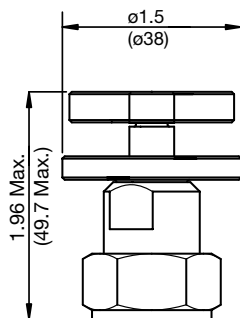
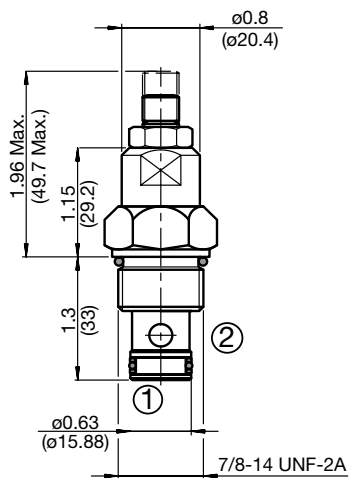
Adjustment Options

- H = Knurled Hand Knob
- K = Allen Head (HEX 5/32") w/ cover cap
- V = Allen Head (HEX 5/32")

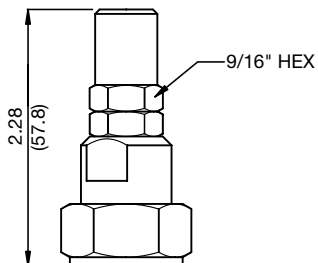
Adjustment Options

'V' - Allen Head (std)

'H' - Hand Knob



'K' - Protective Cap



All measurements in inches (mm).
Subject to technical modifications

Standard Line Bodies*

Code	Part No	Material	Pressure Rating	Weight
FH102-AS8	03037778	Aluminum, anodized	3500 psi (245 bar)	0.34 lb (0.15 kg)
FH102-SS8	03037612	Steel, Zinc plated	6000 psi (420 bar)	1.00 lb (0.45 kg)

*Please refer to Line Bodies & Cavities section for details