

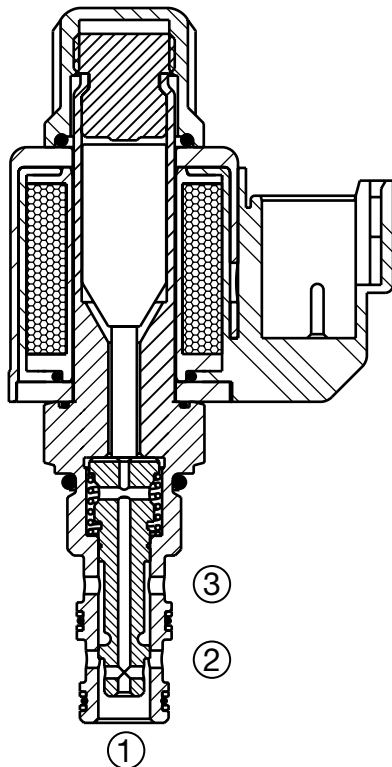
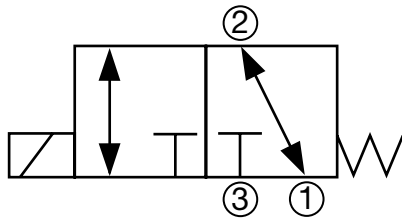
SOLENOID VALVES

WK06C-01

Spool Type, Direct Acting

Up to 4 gpm (15 l/min) • 5000 psi (350 bar)

Hydraulic Symbol



Description

A screw-in cartridge, solenoid operated, 3-way, 2 position, direct acting, spool type valve.

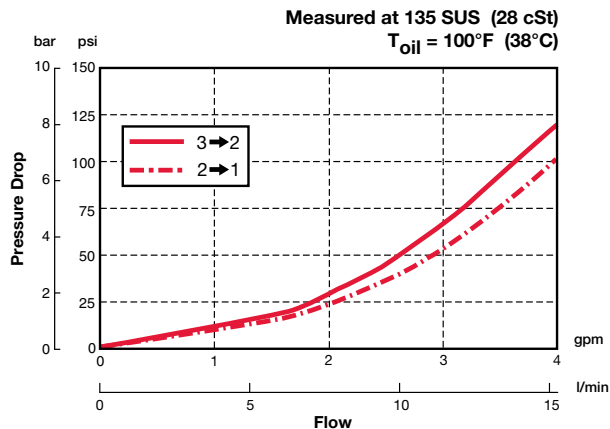
Operation

When de-energized the WK06C allows flow from port 2 to port 1 bi-directionally, while blocking flow at port 3. When energized the spool shifts and opens flow from port 2 to port 3 bi-directionally, while blocking flow at port 1.

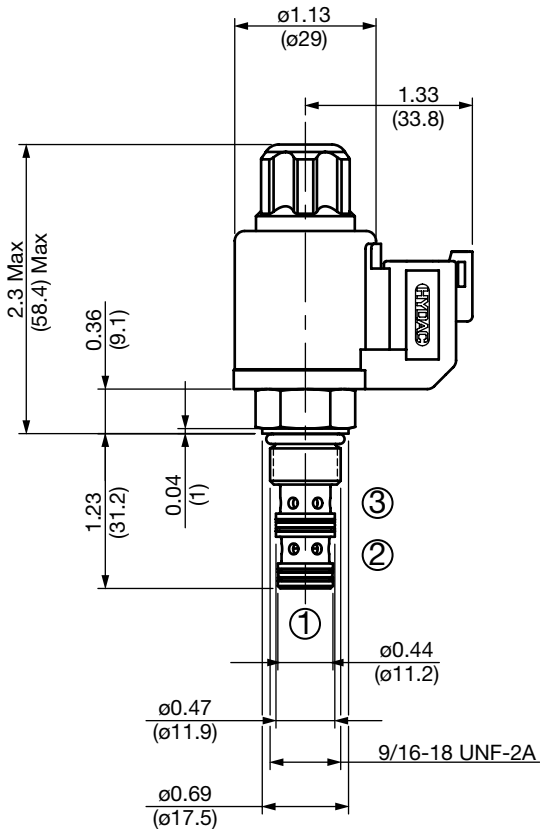
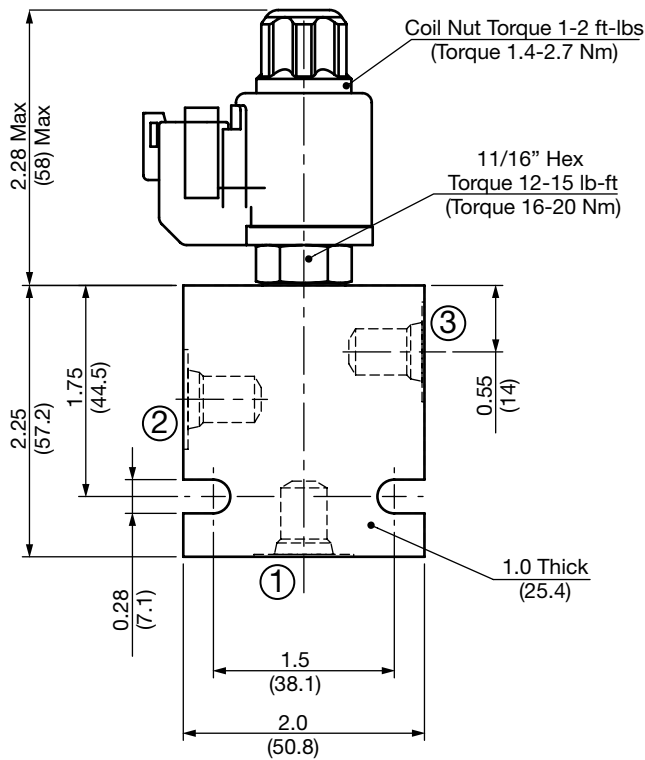
Specifications

Operating Pressure	5000 psi (350 bar)
Nominal Flow	4 gpm (15 l/min)
Internal Leakage	5.5 cu in/min. at 3000 psi and 135 SUS (90 cc/min at 207 bar and 28 cSt)
Fluid Operating Temp. Range	-20° to 248°F (-29° to 120°C)
Ambient Temperature Range	-20° to 140°F (-29° to 60°C)
Coil Duty Rating	Continuous from 85% to 115% of nominal voltage
Current Draw at 68°F (20°C)	984 mA at 12VDC; 492 mA at 24VDC
Minimum Pull-in Current to Operate Valve	70% of nominal amperage
Typical Response Time (Varies with Pressure and Flow)	On: 30 to 60 ms Off: 20 to 40 ms
Fluid Compatibility	Mineral-Based or Synthetics with lubricating properties
Viscosity	50 to 2000 SUS (7.4 to 420 cSt)
Filtration	21/19/16 or cleaner per (ISO 4406)
Installation	No orientation restrictions
Cavity	FC06-3 (see <i>Line Bodies & Cavities</i> section)
Cavity Tools	Rougher: 02582050 Finisher: 02582051
Cartridge Weight	3.0 oz (85 grams)
Coil Weight	3.1 oz (88 grams)
Cartridge Material	Steel with hardened work surfaces. Zinc plated solenoid tube surface. Buna N or Viton® o-rings Solid thermoplastic polyester back-up rings.
Coil Material	Class N, 200°C high temperature magnet wire, steel shell, polyester encapsulation
Seal Kits	Buna-N P/N: 02610186 Viton® P/N: 02610187

Performance



Dimensions



All measurements in inches (mm).
Subject to technical modifications

Model Code

WK06C-01 M-C-N-24 DN

Valve Model _____

Override Option _____
 blank = No manual override
 M = Manual override, push type
 (for availability consult factory)

Body & Ports _____
 C = Cartridge only
 AS4 = SAE-4 Ports, aluminum body
 SS4 = SAE-4 Ports, steel body

Seals _____
 N = Buna-N
 V = Viton®

Coil Voltage _____
 0 = No coil, cartridge only
 DC [12 = 12 VDC
 24 = 24 VDC
 AC [115 = 105 VDC (only available with connector DG)
 230 = 205 VDC (only available with connector DG)
 (All model 32-1329 coils are DC. AC models require an external diode bridge mounted outside the coil)**

Coil Connector _____
 DG = EN 175301-803-B (IP65 Rated)**
 DC [DL = Leadwires (2) - 18" long (46 cm) AWG18, TYPE UL 1815 (IP69K Rated)*
 DN = Deutsch DT04-2P integral molded (IP69K Rated)*
 Use mating plug EN 175301-803-B without diode bridge for DC voltages P/N 02600570
 Use mating plug EN 175301-803-B w/diode bridge for AC voltages P/N 02600582

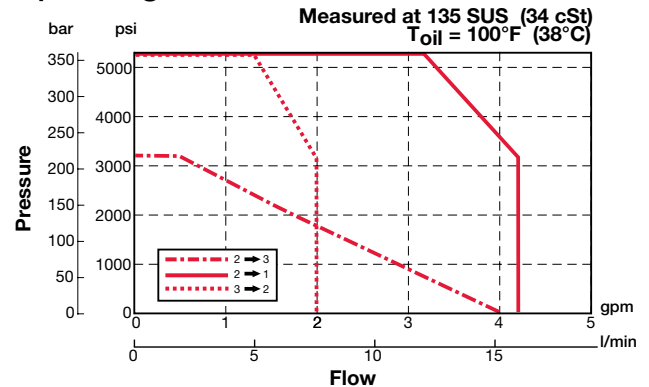
Coil Model 32-1329

For other coil connector types consult factory

**Mating Plugs sold separately

*Coils with internal transient suppression diode are available, consult factory.

Operating Limits



Standard Line Bodies*

Code	Part No	Material	Pressure Rating	Weight
FH063-AS4	02600492	Aluminum, anodized	3500 psi (245 bar)	0.37 lbs (0.17 kg)
FH063-SS4	02600493	Steel, zinc plated	6000 psi (420 bar)	1.07 lbs (0.43 kg)

*Please refer to Line Bodies & Cavities section for details